

# CR Series Round Single Pole Specialty Rocker Switches

## Features/Benefits

- Round actuator and body
- Nice styling
- Multiple illuminated versions available
- IP65 splash proof rubber boot option

## Typical Applications

- Appliances, small and large
- Office equipment
- Computers and peripherals
- Audio/Video equipment
- RoHS compliant



Models Available

## Specifications

### CONTACT RATING:

UL: 16 AMPS @ 125 VAC, 10 AMPS @ 250 VAC.

VDE  $\mu$  T85: 16 AMPS @ 125 VAC, 10 AMPS @ 250 VAC.

ELECTRICAL LIFE: 10,000 make and break cycles at full load.

INSULATION RESISTANCE:  $10^8 \Omega$  min.

DIELECTRIC STRENGTH: 1,500 VRMS @ sea level.

OPERATING TEMPERATURE: -20°C to + 85°C

## Materials

HOUSING AND ACTUATOR: 6/6 nylon (UL94V-2), matte finish.

ILLUMINATED ACTUATOR: Polycarbonate, matte finish.

CENTER CONTACTS: Silver plated, copper alloy.

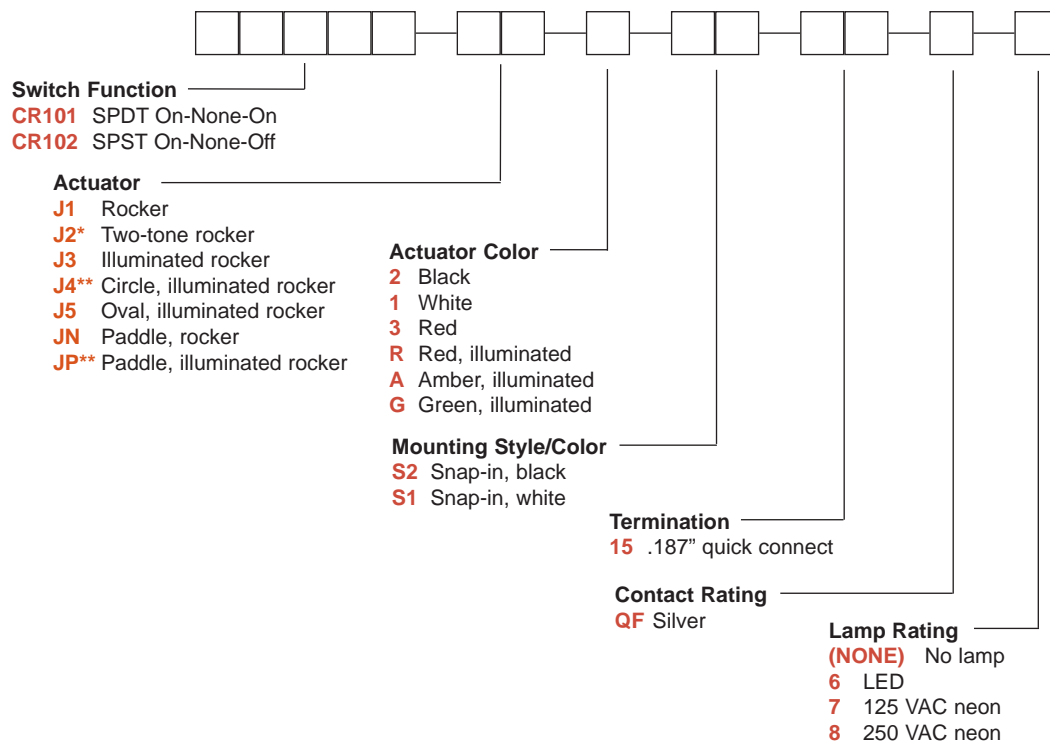
END CONTACTS: Silver plated AgSnO<sub>2</sub>InO<sub>3</sub>.

ALL TERMINALS: Silver plated, copper alloy.

**NOTE:** Specifications and materials listed above are for switches with standard options. For information on specific and custom switches, consult Customer Service Center.

## Build-A-Switch

To order, simply select desired option from each category and place in the appropriate box. Available options are shown and described on pages H-83 through H-85. For additional options not shown in catalog, consult Customer Service Center.



\* Refer to table on page 84 for actuator options.

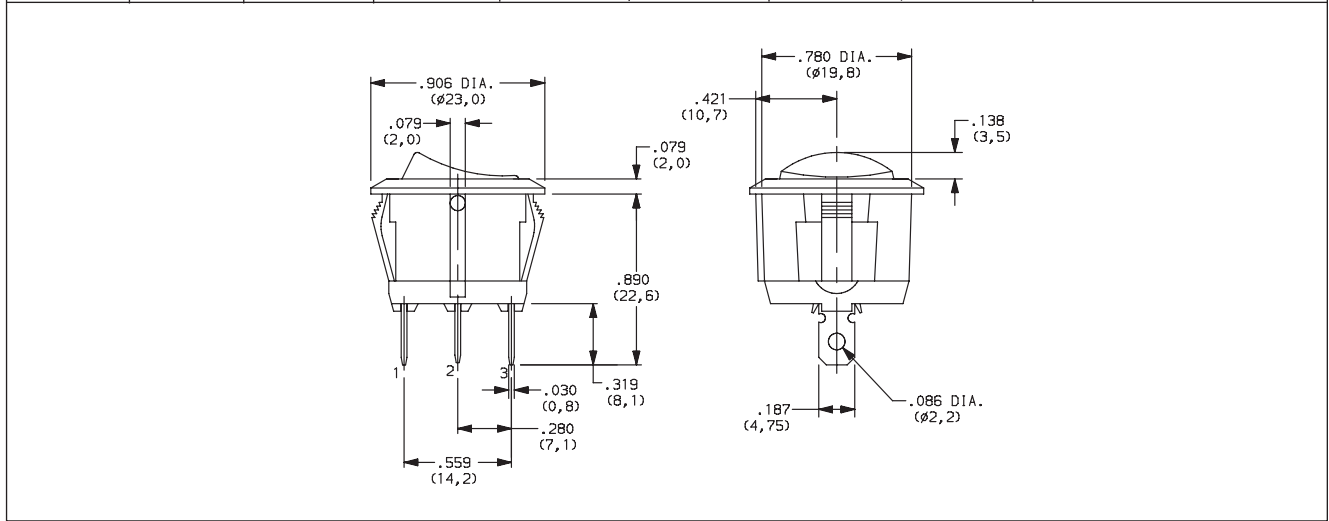
\*\* VDE rating for JP: 10 A @ 125 VAC / 6 A at 250 VAC.



# CR Series Round Single Pole Specialty Rocker Switches

## SWITCH FUNCTION

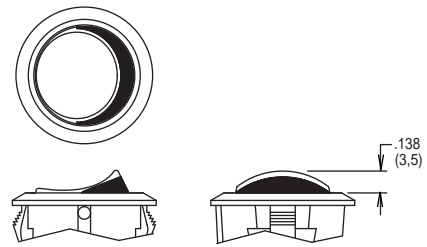
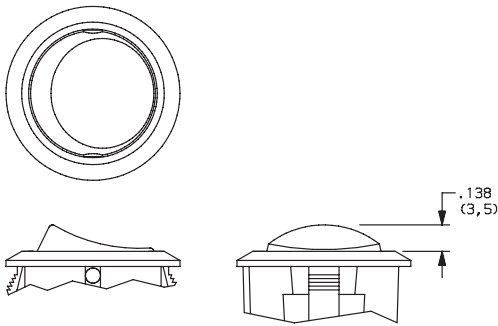
NO. POLES	MODEL NO.	SWITCH FUNCTION			CONNECTED TERMINALS			SCHEMATIC
		Pos. 1	Pos. 2	Pos. 3	Pos. 1	Pos. 2	Pos. 3	
	<b>CR101</b>	ON	NONE	ON	2-3		2-1	
	<b>CR102</b>	ON	NONE	OFF		N/A		 For 7 & 8 Illuminated Versions



## ACTUATOR

- J1** ROCKER
- J3** ILLUMINATED ROCKER

- J2** TWO-TONE ROCKER



NOTE: J3 actuator available with 7 & 8 lamp ratings and CR102 switch function only.



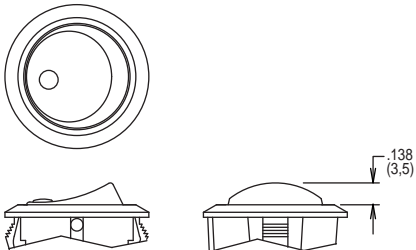
Dimensions are shown: Inch (mm)  
Specifications and dimensions subject to change



# CR Series Round Single Pole Specialty Rocker Switches

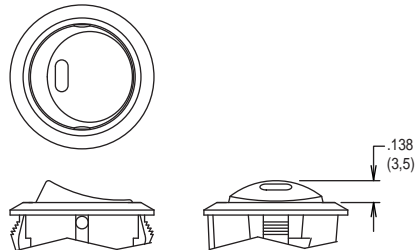
## ACTUATOR

### J4 CIRCLE, ILLUMINATED ROCKER



**NOTE:** Available with CR102 switch function and 7 & 8 lamp ratings only.

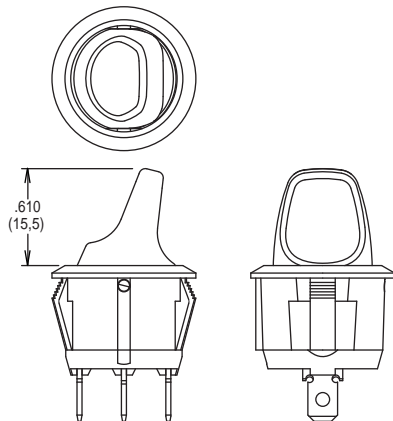
### J5 OVAL, ILLUMINATED ROCKER



**NOTE:** Available with CR102 switch function and 6 lamp rating only.

### JN PADDLE, ROCKER

### JP PADDLE, ILLUMINATED ROCKER



**NOTE:** JP actuator available with CR102 switch function and 7 & 8 lamp ratings only.

## ACTUATOR COLOR

OPTION CODE	ACTUATOR COLOR
2	BLACK
1	WHITE
3	RED
R	RED, ILLUMINATED
A	AMBER, ILLUMINATED
G	GREEN, ILLUMINATED

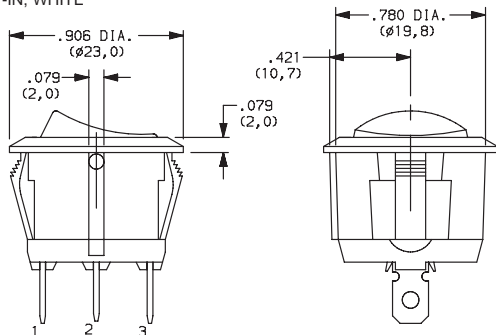
OPTION CODE	ACTUATOR COLOR	
	TOP	BOTTOM
1	WHITE	RED
2	WHITE	BLACK
3	RED	WHITE
4	BLACK	WHITE
5	BLACK	RED

J2 actuator only

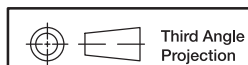
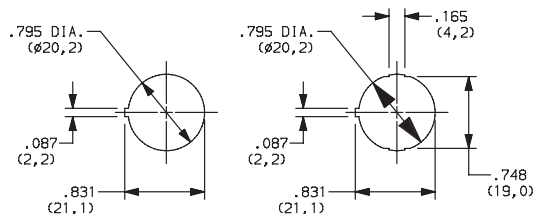
## MOUNTING STYLE/COLOR

### S2 SNAP-IN, BLACK

### S1 SNAP-IN, WHITE



### PANEL MOUNTING



Third Angle Projection

Dimensions are shown: Inch (mm)  
Specifications and dimensions subject to change

Rocker

H

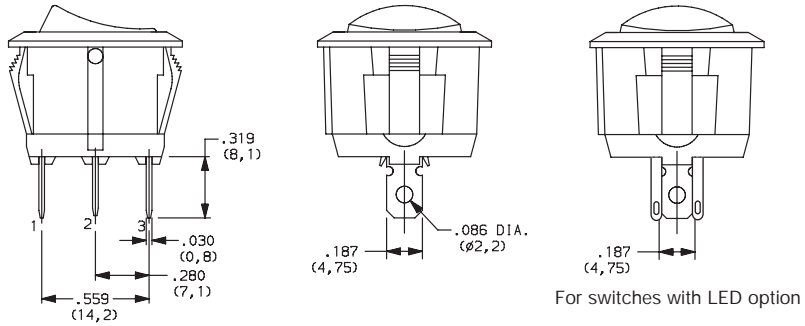
**C&K**

# CR Series Round Single Pole Specialty Rocker Switches

## TERMINATION



### 15 .187" QUICK CONNECT



## CONTACT MATERIAL



OPTION CODE	CONTACT AND TERMINAL MATERIAL	RATINGS	
<b>QF</b>	SILVER	POWER	16 AMPS @ 125 VAC; 10 AMPS @ 250 VAC

\* Note: See Technical Data section of this catalog for RoHS compliant and compatible definitions and specifications.

## LAMP RATING

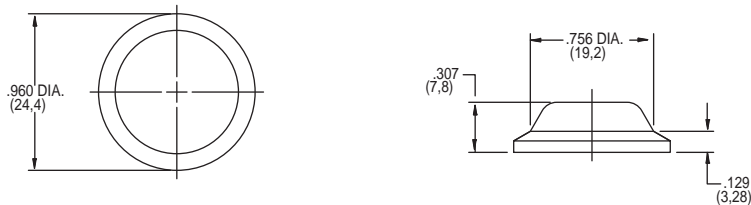


- (NONE)** NO LAMP
- 6** LED RATING @ 10 mA  $V_f=1.85V$
- 7** 125 VAC 33kΩ NEON
- 8** 250 VAC 150kΩ NEON

**NOTE:** Lamp rating for J3 actuator option.

## ACCESSORIES

### 377C00000 IP65 SPLASH PROOF RUBBER BOOT



Dimensions are shown: Inch (mm)  
Specifications and dimensions subject to change

