

**BOURNS®**

## Features

- 8 or 10 position coded switch
- Miniature industrial switch multi-position
- Vertical adjust
- Rugged surface mount design
- Rugged lead frame construction

## Applications

- Board address
- Instrumentation
- Test equipment

# 7744 SMD 4 mm Square Sealed Coded Switch

### Electrical Characteristics

Contact Rating  
 Maximum Current .....100 mA max.  
 Maximum Voltage .....16 V  
 Contact Resistance  
 .....100 milliohms max.  
 Insulation Resistance .....1000 megohms  
 Dielectric Strength .....250 volts

### General Characteristics

Switch Type .....Binary  
 Operating Temperature Range  
 .....-55 °C to +125 °C  
 Storage Temperature Range  
 .....-55 °C to +125 °C  
 Seal Test .....85 °C Fluorinert\*

### Mechanical Characteristics

Positions .....8 or 10  
 Adjustment Detent Torque  
 .....0.1-2.5 N-cm

### Environmental Characteristics

Shock .....100 G  
 .....0.1 ms. max. discontinuity  
 Vibration .....20 G  
 .....0.1 ms. max. discontinuity  
 Thermal Shock (5 cycles)  
 .....-55 °C to +125 °C  
 Contact Resistance  
 .....100 milliohms max.  
 Humidity  
 Insulation Resistance  
 .....10 megohms min.  
 Contact Resistance  
 .....100 milliohms max.  
 Actuation Life .....1,000 steps  
 Contact Resistance  
 .....100 milliohms max.  
 Maximum Soldering Heat .....245 °C,  
 5 seconds  
 Standard Packaging  
 Tube .....J, G = 50 pcs./tube  
 H = 100 pcs./tube  
 Tape & Reel .....500 pcs./reel

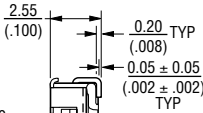
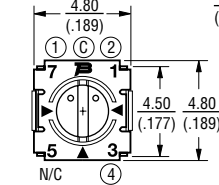
### How to Order

**7744 J - 1 - 008 E**

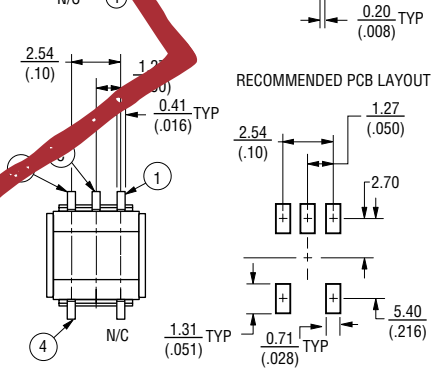
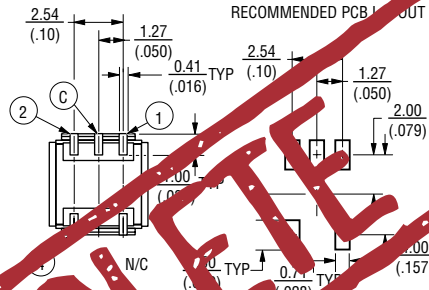
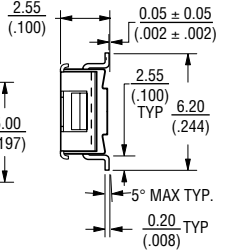
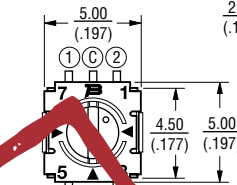
Model \_\_\_\_\_  
 Terminal \_\_\_\_\_  
 Switch Type \_\_\_\_\_  
 1 = Standard  
 Number of Positions \_\_\_\_\_  
 008 = Binary coded octal  
 010 = Binary coded decimal  
 Embossed Tape Option \_\_\_\_\_  
 (Omit letter for tube)

### Product Dimensions

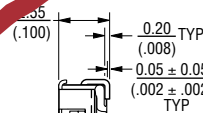
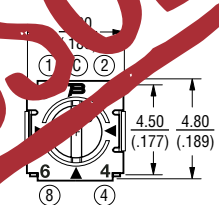
7744J-8



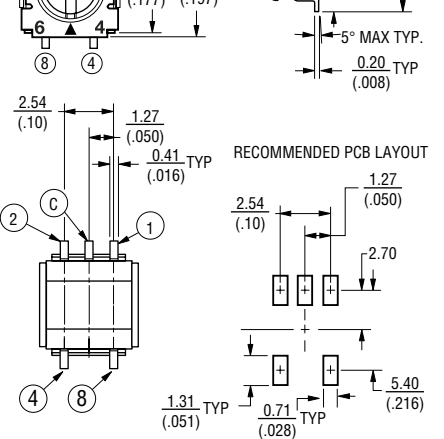
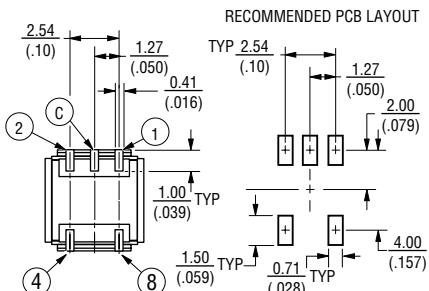
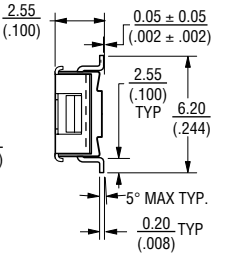
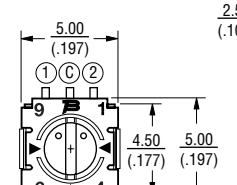
7744G-8



7744J-10



7744G-10



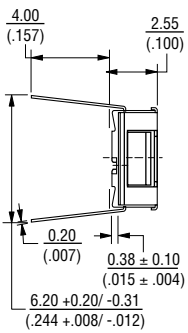
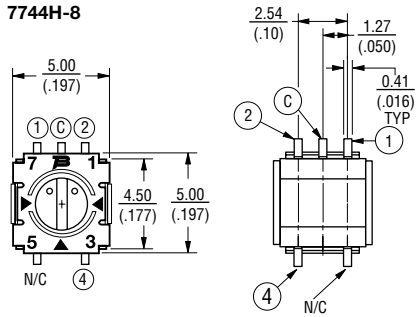
TOLERANCES: ±.2 EXCEPT WHERE NOTED.  
 DIMENSIONS:  $\frac{MM}{(IN)}$   
 \*OFF\* POSITION IS COMMON.

# 7744 SMD 4 mm Square Sealed Coded Switch

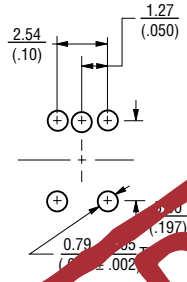
**BOURNS®**

## Product Dimensions

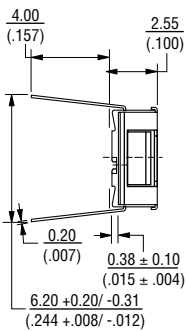
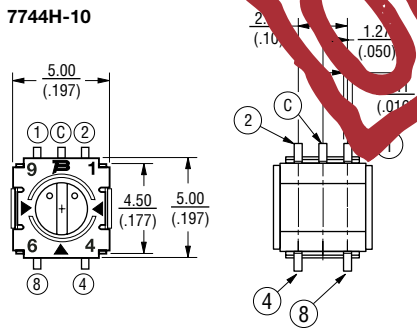
### 7744H-8



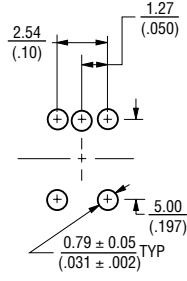
### RECOMMENDED PCB LAYOUT



### 7744H-10

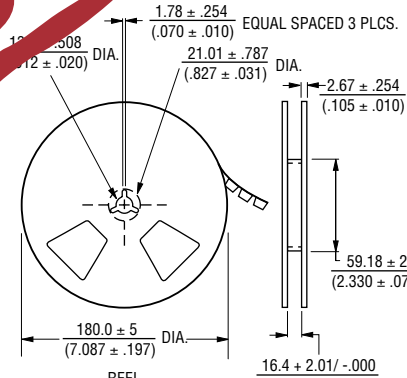
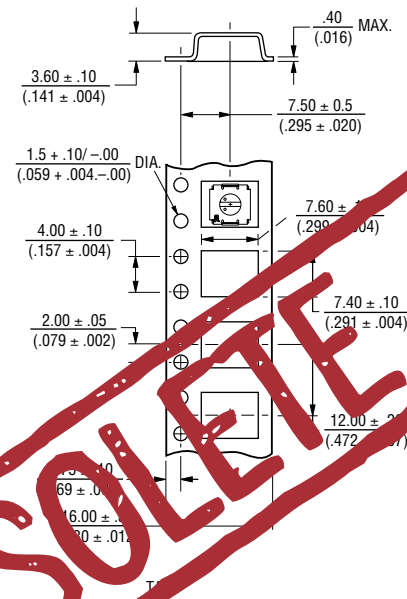


### RECOMMENDED PCB LAYOUT

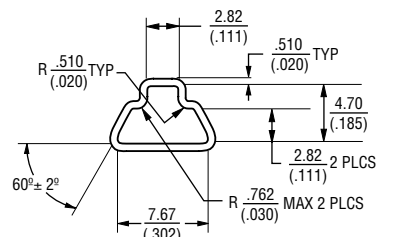


## Packaging Specifications

### 7744J&G

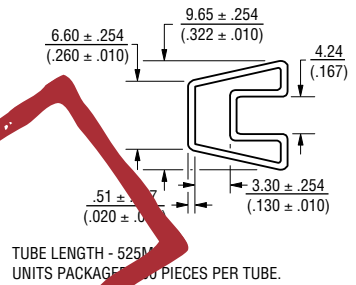


Meets EIA 481



## Packaging Specifications

### 7744H



## Binary (REAL) Code

10 POSITIONS  
(Binary Coded  
Decimal)

	1	2	4	8	C
0					X
1	X				X
2		X			X
3	X	X			X
4			X		X
5	X		X		X
6		X	X		X
7	X	X	X		X
8				X	X
9	X			X	X

8 POSITIONS  
(Binary Coded  
Octal)

	1	2	4	C
0				X
1	X			X
2		X		X
3	X	X		X
4			X	X
5	X		X	X
6		X	X	X
7	X	X	X	X

X = CONNECTION

## Reflow Soldering Profile

