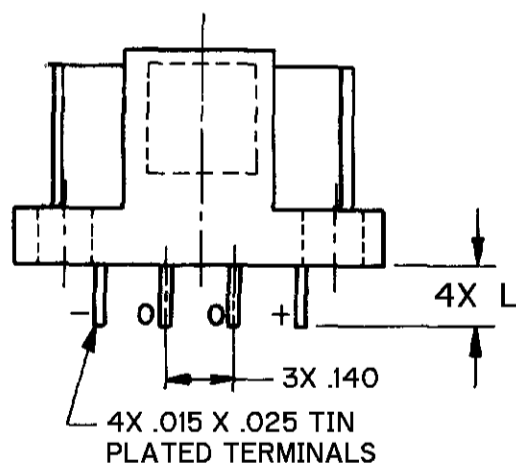
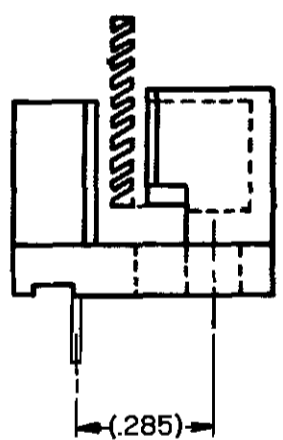
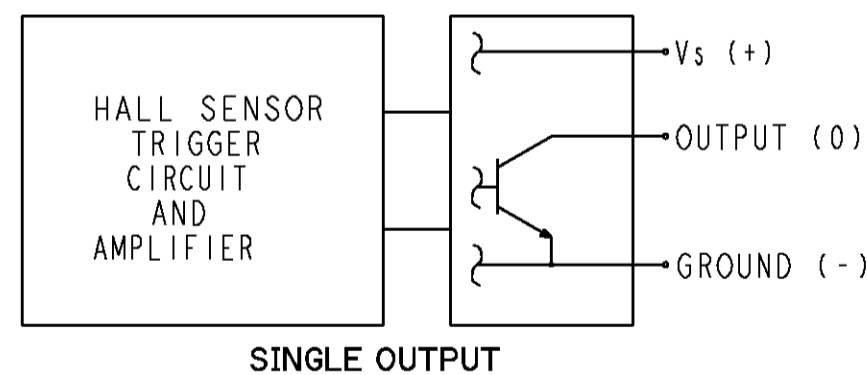


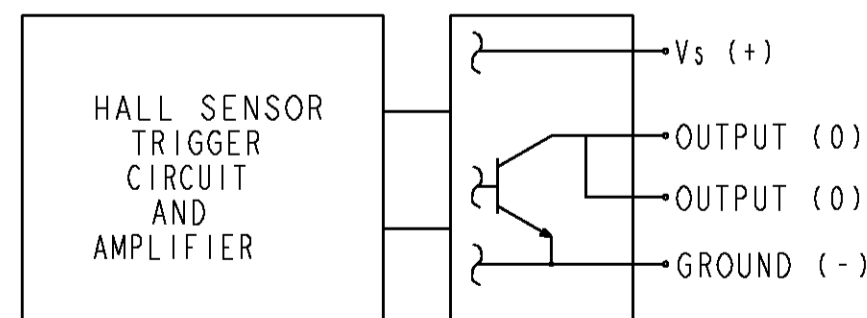
VANE ACTUATOR
(MATERIAL TO BE ANNEALED 1010-1018 COLD ROLLED STEEL OR LOWER IN CARBON)



P C BOARD TERMINATION



SINGLE OUTPUT



DOUBLE OUTPUT

BLOCK DIAGRAM SHOWING CURRENT SINKING OUTPUT

MECHANICAL CHARACTERISTICS ΔV_2						
SUPPLY VOLTAGE	OPERATING TEMPERATURE °C	LEFT		RIGHT		DIFFERENTIAL LEFT OP TO R REL RIGHT OP TO L REL
		OPERATE	RELEASE	OPERATE	RELEASE	
4.5 TO 24.0 $\Delta 5$	25°C	±.006	±.006	±.006	±.006	±.010
12.0	25°C	.213 ± .025	.237 ± .025	.337 ± .025	.313 ± .025	.10 ± .01
4.5 TO 24.0 $\Delta 5$	-40°C TO +85°C	±.024	±.018	±.024	±.018	
4.5 TO 24.0 $\Delta 5$	-40°C TO +125°C	±.040	±.030	±.040	±.030	±.070

ELECTRICAL CHARACTERISTICS (OPERATING CONDITION) ΔV_2		
SUPPLY VOLTAGE	V _{cc}	4.5 TO 26.5 Vdc
SUPPLY CURRENT "ON"	I _{cc}	5 TO 18.5 mA
OUTPUT VOLTAGE "ON"	V _{sat}	0 TO 0.4 Vdc (SINKING 20 mA)
OUTPUT VOLTAGE "ON"	V _{sat}	0 TO 0.5 Vdc (SINKING 40mA)
OUTPUT CURRENT "OFF"	I _{leak}	0 TO 10µA (PULLED UP TO 24 Vdc MAX)
OUTPUT SWITCHING RISE TIME	t _r	0 TO 1.5µS (V _{cc} 12V, R _{load} 1K OHM, C _{load} 20pF MAX 25°C)
OUTPUT SWITCHING FALL TIME	t _f	0 TO 1.0µS (V _{cc} 12V, R _{load} 1K OHM, C _{load} 20pF MAX 25°C)
REVERSE SUPPLY VOLTAGE CURRENT	I _{ccr}	-2.5 TO 0 mA (-30 VOLT SUPPLY, 0 VOLT OUTPUT APPLIED)

ABSOLUTE MAXIMUM RATINGS $\Delta 3 \Delta 4$	
SUPPLY VOLTAGE	±30 VDC
VOLTAGE APPLIED TO OUTPUT	-0.5VDC TO +30VDC
OUTPUT CURRENT	±50mA
TEMPERATURE	-40°C TO +150°C
TRANSIENT SUPPLY CURRENT	±0.5 AMP 15µS MAX
TRANSIENT OUTPUT CURRENT	±0.5 AMP 15µS MAX

CATALOG LISTING	OUTPUT STYLE	TERMINAL STYLE	DIM. L
4AV15F	SINGLE	LEADWIRE	5.50 ± .25
4AV16F	SINGLE	LEADWIRE	7.45 ± .25
4AV17F	SINGLE	LEADWIRE	13.15 ± .50
4AV18F	SINGLE	LEADWIRE	18.15 ± .50
4AV19F	SINGLE	LEADWIRE	22.0 ± .5
4AV20F	DOUBLE	PCB	.140 ± .035
4AV20F-T1	AMP	TERMINAL	$\Delta 11$
4AV20F-T2	MOLEX	TERMINAL	$\Delta 9$

TRANSIENT CHARACTERISTICS (REFERENCE ISO 7637-1, 25°C)			
INDUCTIVE LOAD OPENING	PULSE 1	DURATION <0.2ms	-110 VOLTS
INDUCTIVE LOAD OPENING	PULSE 1	DURATION <2ms	-100 VOLTS
SERIES CURRENT INTERRUPT	PULSE 2	DURATION <200ms	+150 VOLTS
LOAD DUMP	PULSE 5	DURATION <400ms	+120 VOLTS
FIELD DECAY	PULSE 36	DURATION <100ns	+200 VOLTS
NEGATIVE TRANSIENT	PULSE 39	DURATION <100ns	-200 VOLTS
RFI	1 MHz THROUGH 1000 MHz		> 40 V/M

- NOTES**
- ELECTRICAL CHARACTERISTICS SPECIFIED OVER VOLTAGE AND TEMPERATURE RANGE USING AN ACTUATOR .040 THICK WITH A .400 TOOTH AND WINDOW PASSING THROUGH THE CENTER OF THE AIR GAP
 - SWITCH IS OFF (RELEASE CONDITION) WHEN VANE ACTUATOR TOOTH IS IN THE AIR GAP
 - THE OUTPUT CURRENT MAXIMUM IS TOTAL OF OUTPUT SINKING CURRENTS
 - ABSOLUTE MAXIMUM RATINGS ARE THE EXTREME LIMITS THAT THE DEVICE WILL WITHSTAND WITHOUT DAMAGE. HOWEVER, THE ELECTRICAL AND MECHANICAL CHARACTERISTICS ARE NOT GUARANTEED ABOVE THE RECOMMENDED OPERATING CONDITIONS NOR WILL THE DEVICE NECESSARILY FUNCTION. RATINGS ARE TO BE CONSIDERED INDIVIDUALLY, NOT COMBINED
 - MAXIMUM CHANGE IN VANE TRAVEL MECHANICAL CHARACTERISTICS SWITCHING POINT REFERENCING 25°C AND 12Vdc INITIAL CONDITION
 - PRODUCT PERFORMANCE EVALUATED PER TS 060 192
 - WHEN HAND SOLDERING PRINTED CIRCUIT, BOARD TERMINATIONS, USE A ϕ .125 THERMISTATICALLY CONTROLLED TIP OF 550°F AND APPLY TO THE TERMINALS NO LONGER THAN 6 SECONDS
 - LEADWIRES ARE 24 AWG WITH CROSSLINK POLYETHYLENE INSULATION OF ϕ .060 MAX O.D.
 - MOLEX TERMINAL 22-05-3041 LOCKING FEATURE ON T2 LISTINGS MATE WITH MOLEX HOUSING 2695/6471
 - WILL MATE WITH AMP HOUSING NO.87499-B ON T1 LISTINGS ONLY
 - AMP TERMINALS 103323-4
 - LISTINGS 4AV20F-T1 AND 4AV20F-T2 HAVE A MAXIMUM TEMPERATURE RATING OF 85° C DUE TO TERMINAL BLOCK LIMITATIONS

THIS DRAWING COVERS A PROPRIETARY ITEM AND IS THE PROPERTY OF MICRO SWITCH, A DIVISION OF HONEYWELL. THIS DRAWING IS NOT TO BE COPIED OR USED WITHOUT THE APPROVAL OF MICRO SWITCH.

MICRO SWITCH
a Honeywell Division

SOLID STATE VANE SWITCH

CATALOG LISTING
4AV SERIES CHART 4

FED. MFG. CODE 91929

THIRD ANGLE PROJECTION

SCALE **3:1**

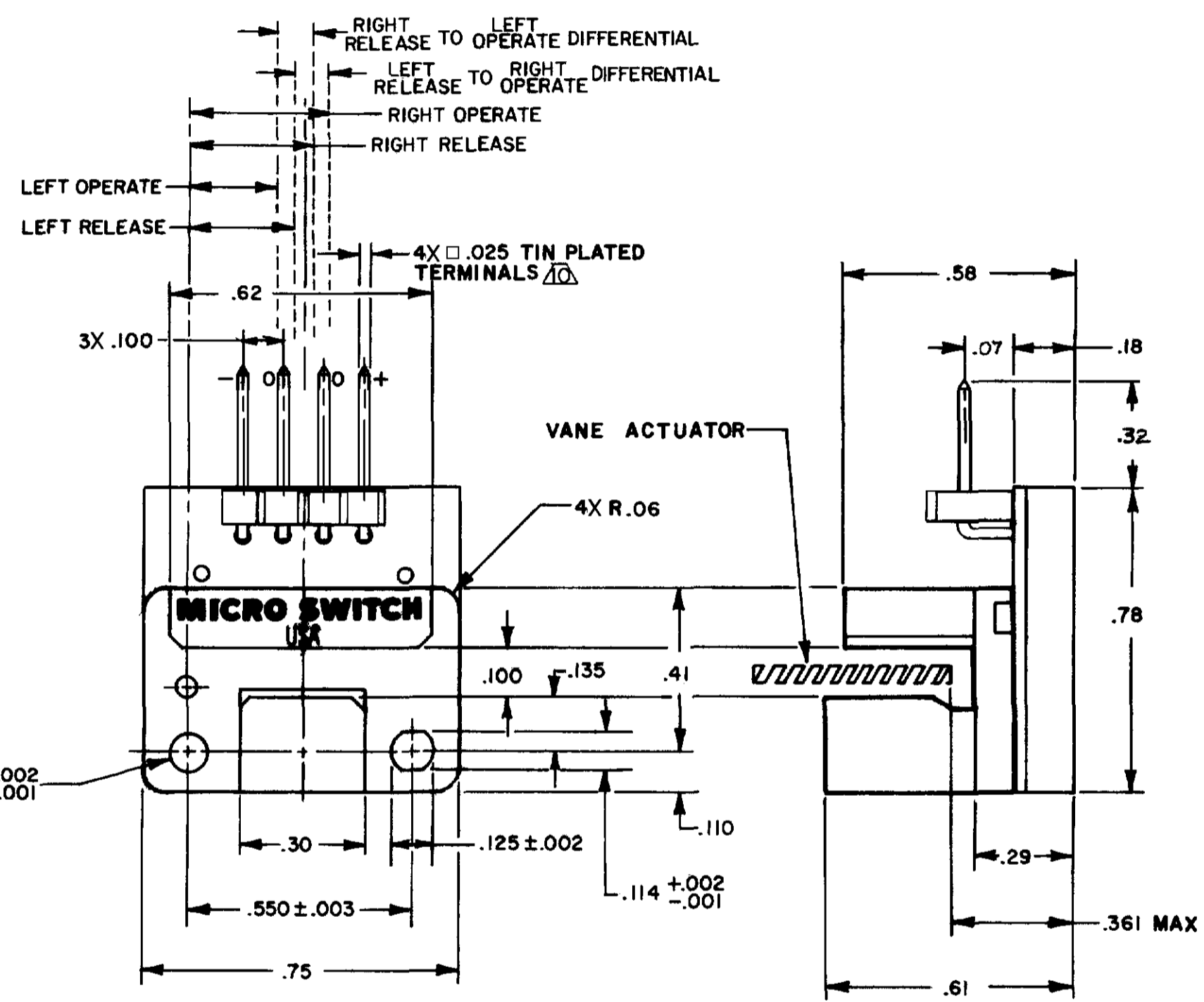
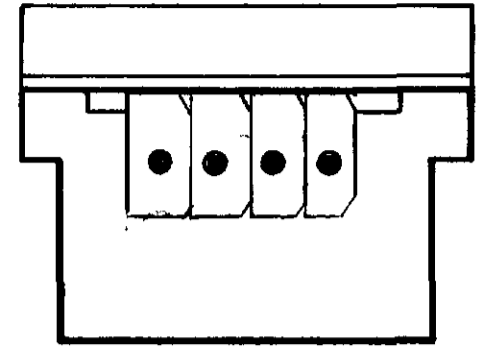
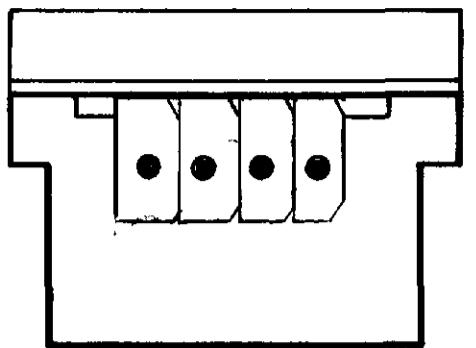
DO NOT SCALE PRINT

UNLESS OTHERWISE SPECIFIED TOLERANCES ARE

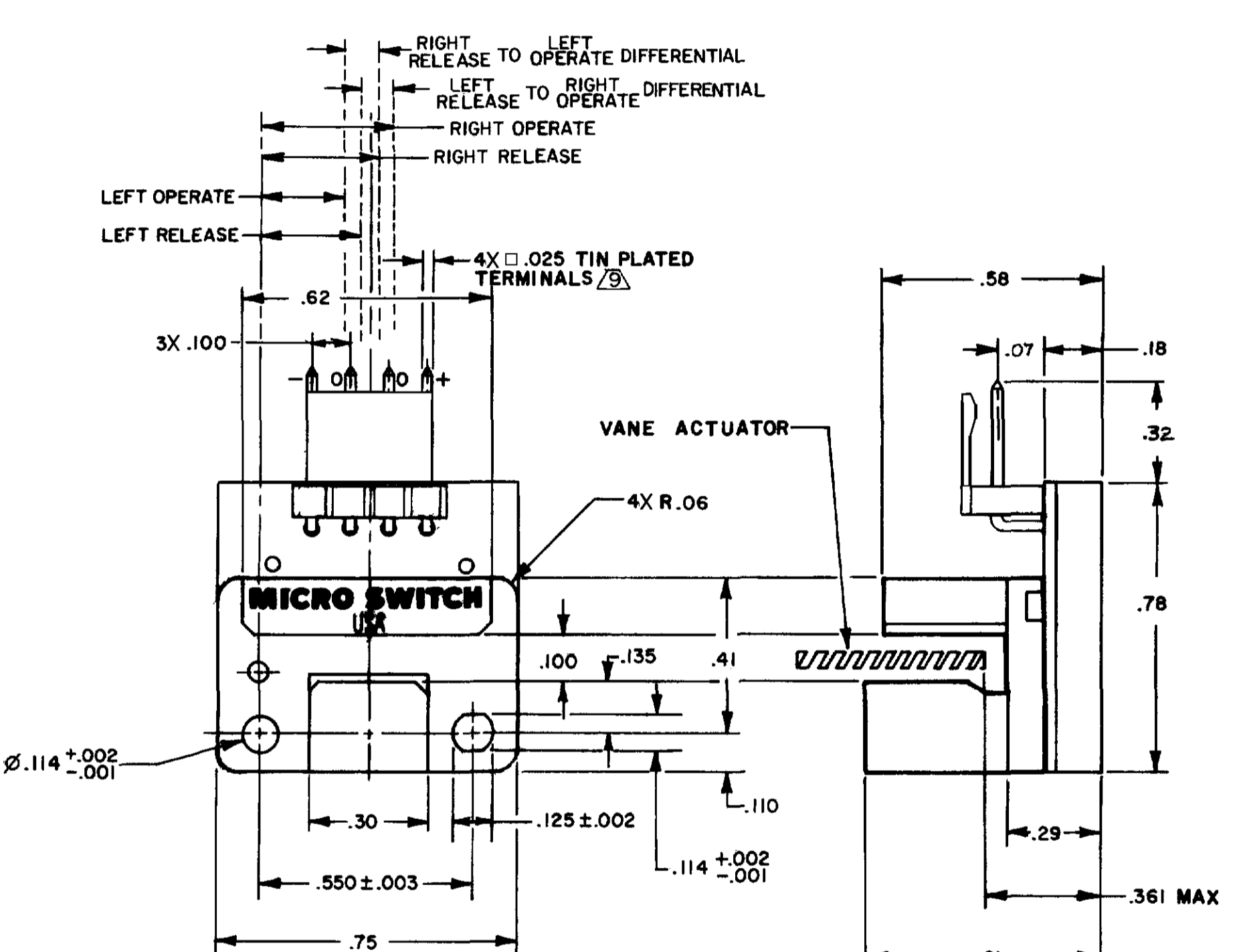
ONE PLACE (.0)	±.030
TWO PLACES (.00)	±.015
THREE PLACES (.000)	±.005
ANGLES	±

WEIGHT

DRAWING NUMBER: 4AV SERIES CHART 4
 PAGE 1 OF 2
 ISSUE: 5
 CHECK: DR-5009
 RELEASE NO.: X102209-AV
 REVISIONS:
 A CO-93446 8 J W 22 SEP 98
 B PR-23514 2 OCT 98
 C CO93789 26 OCT 98
 D CO-94108-A 19 FEB 99
 CHECK: J A F 11 MAY 98
 CHECK: J J A 11 MAY 98
 DRAWN: J J A 11 MAY 98
 FORMTEK



STYLE T1



STYLE T2

DRAWING NUMBER: 4AV SERIES CHART 4
 PAGE 2 OF 2
 ISSUE: 5
 CHECK: JJA 11 MAY 98
 DRAWN: JJA 11 MAY 98
 RELEASE NO. DR-5009
 REPLACES: X102209-AV

REVISIONS

A	PR-23514	DLT	2 OCT 98
B	C093789	DLT	26 OCT 98
C	CO-94108-A	DLT	19 FEB 99

ANSI Y14.5M 1982 APPLIES
MASTER REDUCED

<p>MICRO SWITCH a Honeywell Division</p> <p>FED. MFG. CODE 91929</p>	<p>SOLID STATE VANE SWITCH</p>	<p>CATALOG LISTING</p> <p>4AV SERIES</p>	<p>THIRD ANGLE PROJECTION</p> <p>SCALE 3:1</p> <p>DO NOT SCALE PRINT</p> <p>UNLESS OTHERWISE SPECIFIED TOLERANCES ARE</p> <table border="1"> <tr> <td>ONE PLACE</td> <td>(.0)</td> <td>±.030</td> </tr> <tr> <td>TWO PLACES</td> <td>(.00)</td> <td>±.015</td> </tr> <tr> <td>THREE PLACES</td> <td>(.000)</td> <td>±.005</td> </tr> <tr> <td>ANGLES</td> <td></td> <td>±</td> </tr> </table> <p>WEIGHT</p>	ONE PLACE	(.0)	±.030	TWO PLACES	(.00)	±.015	THREE PLACES	(.000)	±.005	ANGLES		±
		ONE PLACE		(.0)	±.030										
		TWO PLACES		(.00)	±.015										
THREE PLACES	(.000)	±.005													
ANGLES		±													
<p>CHART 4</p>															