

# 91MCE18 NOMENCLATURE TREE

91MCE 18- S 1 B Q

**Connector**  
**Q** 4-Pin M12 Connector

**Modifications**  
**B** Bottom Exit  
**P** Plastic Lever/Plastic Roller

**Cable Length: (Side Exit)**

|   |                      |
|---|----------------------|
| 1 | 1 Meter cable length |
| 2 | 2 Meter cable length |
| 3 | 3 Meter cable length |
| 5 | 5 Meter cable length |

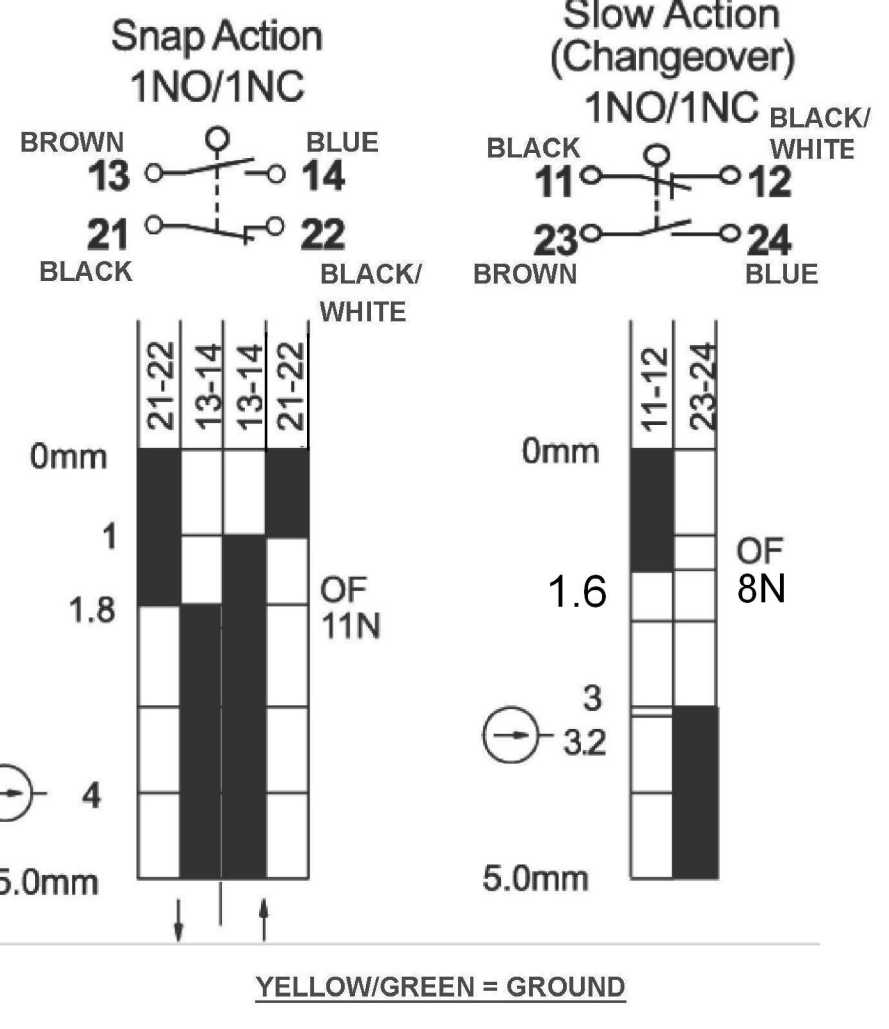
**Switch Type**

|   |  |
|---|--|
| P | 1NO/1NC Direct Acting, Snap Action       |
| S | 1NC/1NO Direct Acting, Break-before-Make |

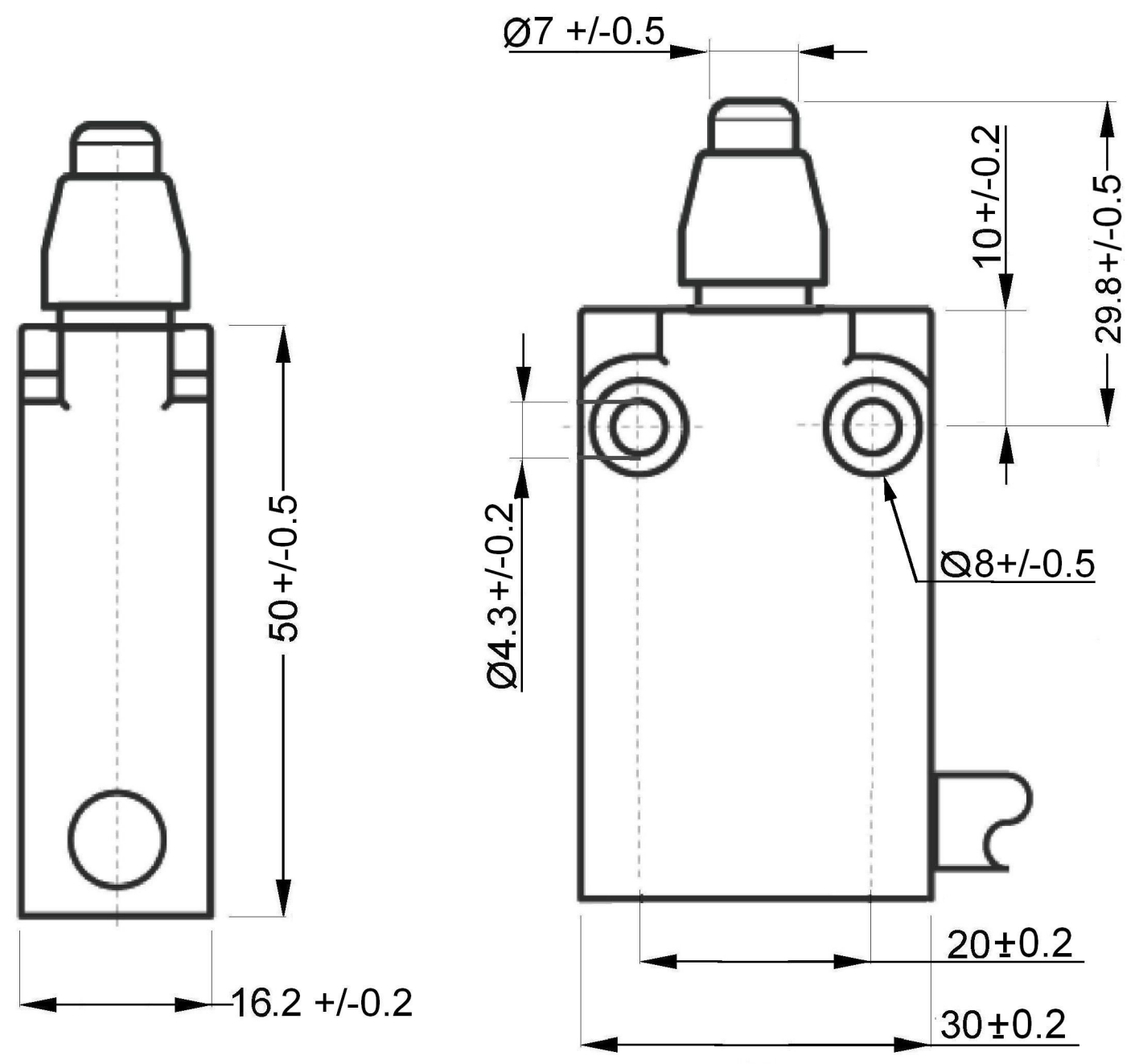
**Actuators**  
**18** PIN PLUNGER W/BOOT SEAL

91MCE Series - Base  
 Miniature Compact Enclosed Switches

## OPERATING CHARACTERISTICS



**"Q" OPTION**  
 PIN 1 & 2 - NORMALLY CLOSED  
 PIN 3 & 4 - NORMALLY OPEN



**NOTES:**  
 1. DIE CAST HOUSING FINISHED IN BLACK PAINT.

## SPECIFICATIONS

|                       |  |
|-----------------------|--|
| Operating Speed       | 0.05mm-1m/sec  |
| Operating Frequency   | Mechanical: 120ops/min<br>Electrical: 30 ops/min   |
| Insulation Resistance | >100MΩ@500V DC   |
| Contact Resistance    | <25mΩ  |
| Rated Voltage         | 300V AC (EN60947-5-1)  |
| Rated Thermal Current | Pre-leaded 10A- 3A Connector   |
| Electrical Rating     | AC15 A300<br>DC13 Q300   |
| Dielectric Strength   | 1000VAC for 1 min between current carrying parts<br>2500VAC for 1 min between non-current carrying parts |
| Service Life          | Mechanically 5 x10 <sup>7</sup> (operations)   |
| Operating Temperature | -25~+85°C without formation of ice   |
| Humidity              | < 95%RH  |
| Cable                 | 5 core, 0.75mm <sup>2</sup> (18AWG)  |
| Degree of Protection  | IP67   |

## ELECTRICAL RATINGS

| IEC 60947-5-1 / EN 90947-5-1       |  |      |           |       |
|------------------------------------|--|------|-----------|-------|
| Designation & Utilization Category | Rated operational current Ie (A) at rated operational voltage Ue |      | VA rating |       |
|                                    | 120V   | 240V | Make      | Break |
| AC15 A300                          | 6  | 3    | 7200      | 720   |
| DC13 Q300                          | 0.55   | 0.27 | 69        | 69    |

UNLESS OTHERWISE SPECIFIED  
 TOLERANCES ARE +/- 0.15

**APPROVALS**

UL US CE CCC

|                           |  |     |         |                  |                                |       |   |              |                       |     |   |
|---------------------------|--|-----|---------|------------------|--------------------------------|-------|---|--------------|-----------------------|-----|---|
| DESIGN UNITS: mm          | DRAWN  | BS  | 02APR07 | <b>Honeywell</b> |                                |       |   |              |                       |     |   |
| TOLERANCES UNLESS NOTED:  | CHECK  | PSR | 02APR07 |                  |                                |       |   |              |                       |     |   |
| NO PLACE .X ± 0.040       | THIS DRAWING COVERS A PROPRIETARY ITEM AND IS THE PROPERTY OF HONEYWELL. THIS DRAWING IS NOT TO BE COPIED OR USED WITHOUT THE PERMISSION OF HONEYWELL. |     |         | TITLE            | COMPACT PRECISION LIMIT SWITCH |       |   |              |                       |     |   |
| ONE PLACE .XX ± 0.030     | INTERPRET PER ASME Y14.5M-1994 OTHER HONEYWELL ENGINEERING STANDARDS MAY APPLY   |     |         | SIZE             | C                              | TYPE  | I | DRAWING NAME | 91MCE18 SERIES CHART1 | REV | B |
| TWO PLACE .XX ± 0.015     | RASTER   |     |         | SCALE            | -                              | SHEET |   | 1 OF 1       |                       |     |   |
| THREE PLACE .XXX ± 0.005  |  |     |         |                  |                                |       |   |              |                       |     |   |
| FOUR PLACE .XXXX ± 0.0005 |  |     |         |                  |                                |       |   |              |                       |     |   |
| ANGLES ± 2                |  |     |         |                  |                                |       |   |              |                       |     |   |

