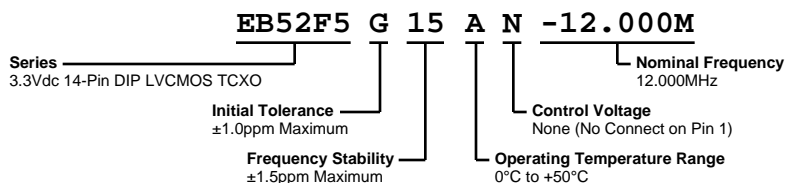


EB52F5G15AN-12.000M



ELECTRICAL SPECIFICATIONS

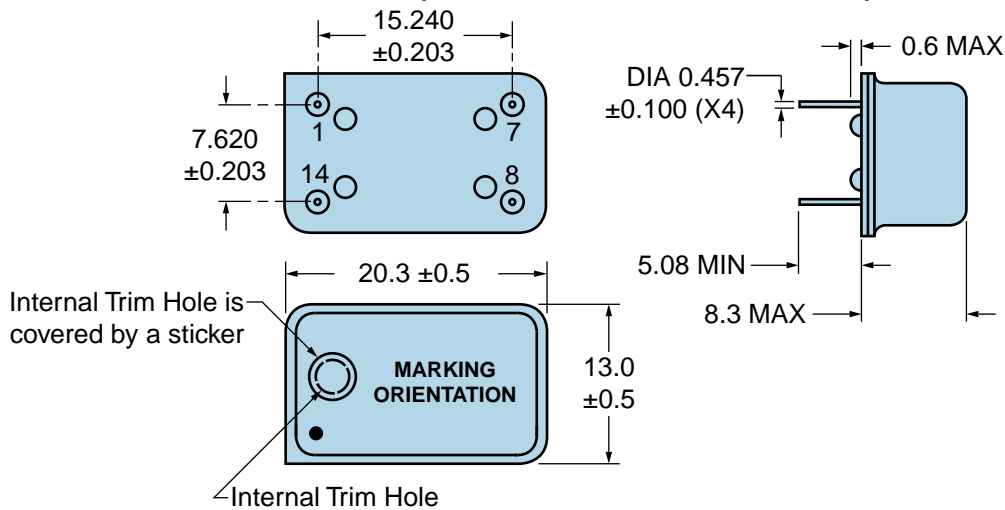
Nominal Frequency	12.000MHz
Initial Tolerance	± 1.0 ppm Maximum (Measured at Nominal Vdd and Vc)
Frequency Stability	± 1.5 ppm Maximum
Frequency Stability vs. Input Voltage	± 0.3 ppm Maximum (Vdd $\pm 5\%$)
Frequency Stability vs. Aging	± 1 ppm/Year Maximum (at 25°C)
Frequency Stability vs. Load	± 0.2 ppm Maximum ($\pm 10\%$)
Operating Temperature Range	0°C to +50°C
Supply Voltage	3.3Vdc $\pm 5\%$
Input Current	15mA Maximum (Measured at Steady State at 25°C)
Output Voltage Logic High (Voh)	90% of Vdd Minimum
Output Voltage Logic Low (Vol)	10% of Vdd Maximum
Rise/Fall Time	6nSec Maximum (Measured at 20% to 80% of waveform)
Duty Cycle	50% $\pm 5\%$ (Measured at 50% of waveform)
Load Drive Capability	15pF Maximum
Output Logic Type	CMOS
Control Voltage	None (No Connect on Pin 1)
Internal Trim	± 3 ppm Minimum (at 25°C, Top Access)
Input Impedance	10kOhms Typical
Phase Noise	-70dBc/Hz at 10Hz Offset, -100dBc/Hz at 100Hz Offset, -130dBc/Hz at 1kHz Offset, -140dBc/Hz at 10kHz Offset, -145dBc/Hz at 100kHz Offset (Typical Values at 19.440MHz)
Storage Temperature Range	-55°C to +125°C

ENVIRONMENTAL & MECHANICAL SPECIFICATIONS

Fine Leak Test	MIL-STD-883, Method 1014 Condition A (Internal Crystal Only)
Gross Leak Test	MIL-STD-883, Method 1014 Condition C (Internal Crystal Only)
Lead Integrity	MIL-STD-883, Method 2004
Mechanical Shock	MIL-STD-202, Method 213 Condition C
Resistance to Soldering Heat	MIL-STD-202, Method 210
Resistance to Solvents	MIL-STD-202, Method 215
Solderability	MIL-STD-883, Method 2003
Temperature Cycling	MIL-STD-883, Method 1010
Vibration	MIL-STD-883, Method 2007 Condition A

EB52F5G15AN-12.000M

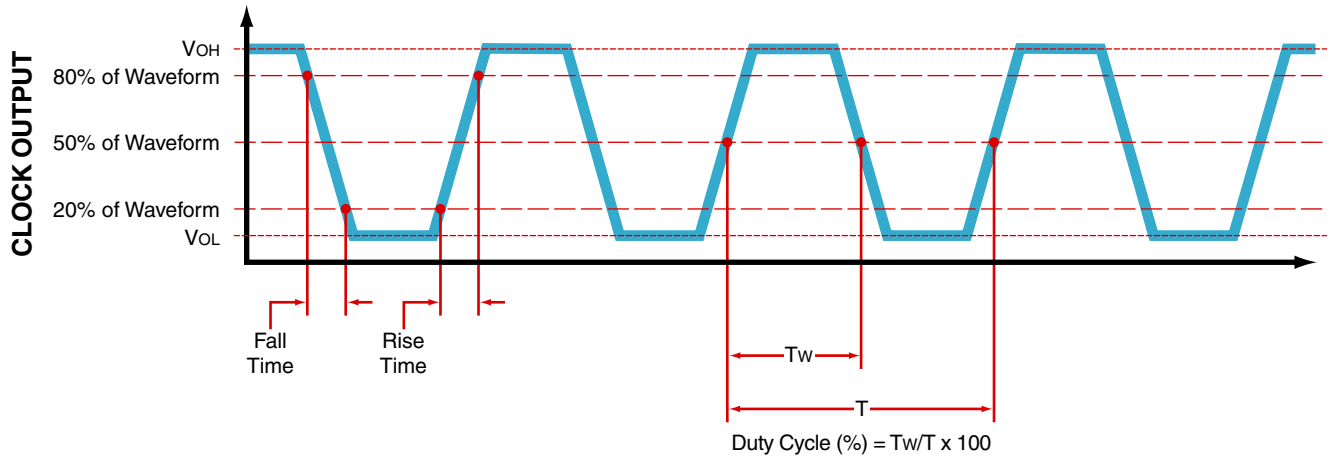
MECHANICAL DIMENSIONS (all dimensions in millimeters)



PIN	CONNECTION
1	No Connect
7	Case Ground
8	Output
14	Supply Voltage

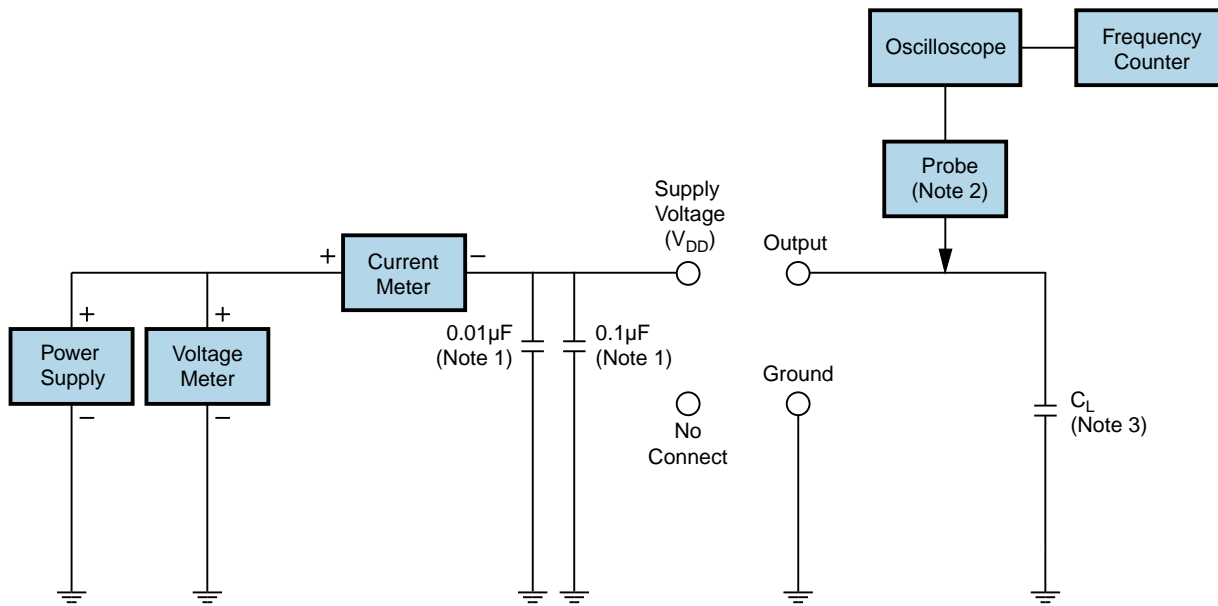
LINE	MARKING
1	ECLIPTEK
2	12.000M
3	XXYYZZ <i>XX=Ecliptek Manufacturing Code</i> <i>Y=Last Digit of the Year</i> <i>ZZ=Week of the Year</i>

OUTPUT WAVEFORM



EB52F5G15AN-12.000M

Test Circuit for No Connect Option



Note 1: An external $0.1\mu\text{F}$ low frequency tantalum bypass capacitor in parallel with a $0.01\mu\text{F}$ high frequency ceramic bypass capacitor close to the package ground and V_{DD} pin is required.

Note 2: A low capacitance ($<12\text{pF}$), 10X attenuation factor, high impedance ($>10\text{Mohms}$), and high bandwidth ($>300\text{MHz}$) passive probe is recommended.

Note 3: Capacitance value C_L includes sum of all probe and fixture capacitance.

Recommended Solder Reflow Methods



Low Temperature Solder Bath (Wave Solder)

T_s MAX to T_L (Ramp-up Rate)	5°C/second Maximum
Preheat	
- Temperature Minimum (T _s MIN)	N/A
- Temperature Typical (T _s TYP)	150°C
- Temperature Maximum (T _s MAX)	N/A
- Time (t _s MIN)	30 - 60 Seconds
Ramp-up Rate (T_L to T_P)	5°C/second Maximum
Time Maintained Above:	
- Temperature (T _L)	150°C
- Time (t _L)	200 Seconds Maximum
Peak Temperature (T_P)	245°C Maximum
Target Peak Temperature (T_P Target)	245°C Maximum 1 Time / 235°C Maximum 2 Times
Time within 5°C of actual peak (t_p)	5 seconds Maximum 1 Time / 15 seconds Maximum 2 Times
Ramp-down Rate	5°C/second Maximum
Time 25°C to Peak Temperature (t)	N/A
Moisture Sensitivity Level	Level 1

Low Temperature Manual Soldering

185°C Maximum for 10 seconds Maximum, 2 times Maximum.

High Temperature Manual Soldering

260°C Maximum for 5 seconds Maximum, 2 times Maximum.