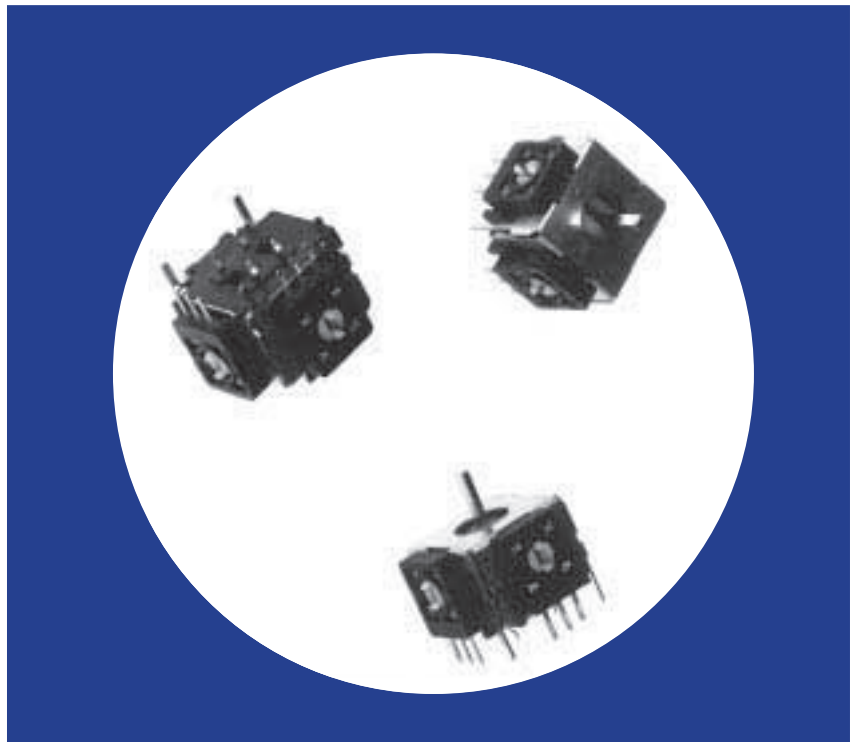


## Two Axis, Mini-joystick With Momentary Switch

### Features

- Compact Size (20x21x13mm)
- Long Life 1 Million Cycles
- Optional momentary switch is operational at all rotations
- Sturdy metal case with convenient mounting tabs
- RoHS compliant



Pat. No: US 6,353,430 , Taiwan: 128688.

## Electrical and Mechanical Specifications

### Potentiometer 1 & 2

#### Resistance Range

10 K ohms through 200 K ohms

#### Resistance Tolerance

Standard :  $\pm 30\%$

Special:  $\pm 10\%$ ,  $\pm 20\%$  available

#### Dielectric Strength

250 VAC 50/60 Hz for 1 minute

#### Insulation Resistance

100 Megohms @ 250 VDC for 1 minute

#### Operational Torque

$200 \pm 80$  gf.cm

#### Power Rating

0.0125 watt @ 50°C, Derated to no load at 85°C

#### Operating Voltage

50 VAC or 5 VDC maximum

#### Angle of Rotation

60° maximum

#### Life

1,000,000 cycles

### Available Switch

#### Type

Momentary

#### Contact Resistance

100 milliohms maximum initially

200 milliohms max after 500,000 cycles  
switching 5 mA @ 5 VDC

#### Dielectric Strength

250 VAC 50/60 Hz for 1 minute

#### Insulation Resistance

100 Megohms minmum @ 100 VDC

#### Operational Force

$800 \pm 200$  gf

#### Power Rating

5 VDC, 50 mA maximum

#### Travel

$0.9 \pm 0.4$ mm

#### Switch Life

500,000 cycles

# Electrical and Mechanical Specifications

## Potentiometer 1 & 2

### Operating Temperature

-10°C to +70°C

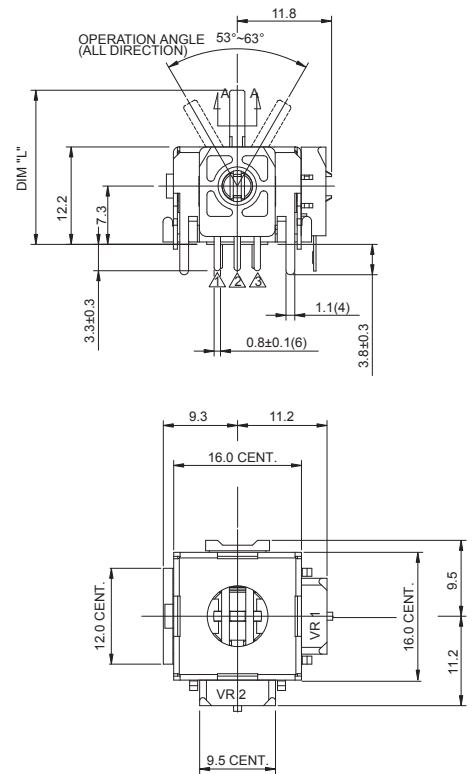
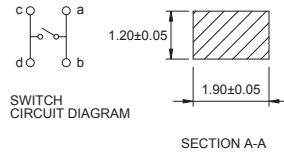
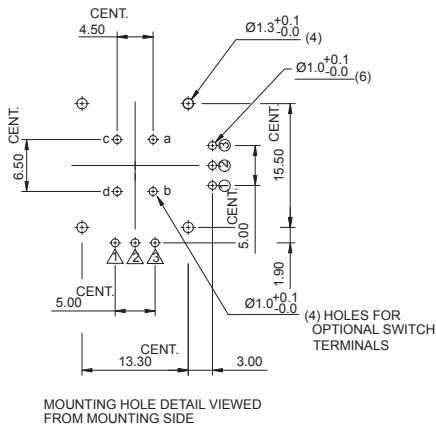
### Soldering Conditions

260 ± 5°C for 5 seconds

### Mounting Information

PC Terminals

## CTS Series 252



DIMENSION:  $\frac{\text{mm}}{\text{inch}}$

## Ordering Information

