

Features

- Single Package Fully-integrated 4-bit Flash Microcontroller with RF Transmitter
- Low Power Consumption in Sleep Mode (< 1 μ A Typically)
- Maximum Output Power (10 dBm) with Low Supply Current (9.5 mA Typically)
- 2.0 V to 4.0 V Operation Voltage for Single Li-cell Power Supply
- -40° C to +125° C Operation Temperature
- SSO24 Package
- About Seven External Components

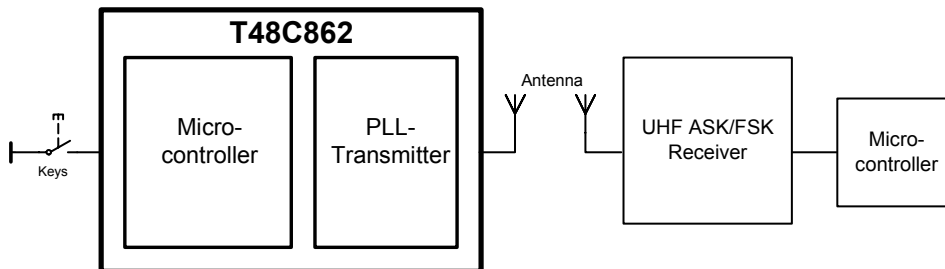
Description

The T48C862-R4 is a single package dual-chip circuit. It combines a UHF ASK/FSK transmitter with a 4-bit microcontroller. It supports highly integrated solutions in car access and tire pressure monitoring applications, as well as manifold applications in the industrial and consumer segment. It is available for the transmitting frequency range of 429 MHz to 439 MHz with data rates up to 32 kbaud Manchester coded.

For further frequency ranges such as 310 MHz to 330 MHz and 868 MHz to 928 MHz separate datasheets are available.

The device contains a flash microcontroller.

Figure 1. Application Diagram



Microcontroller with UHF ASK/FSK Transmitter

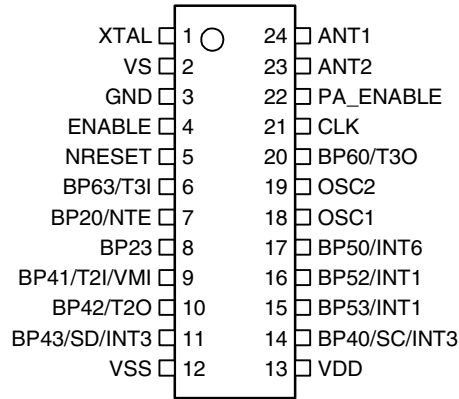
T48C862-R4

Preliminary



Pin Configuration

Figure 2. Pinning SSO24



Pin Description: RF Part

| Pin | Symbol | Function | Configuration |
|-----|--------|------------------------|--|
| 1 | XTAL | Connection for crystal | |
| 2 | VS | Supply voltage | ESD protection circuitry (see Figure 8 on page 11) |
| 3 | GND | Ground | ESD protection circuitry (see Figure 8 on page 11) |
| 4 | ENABLE | Enable input | |

Pin Description: RF Part (Continued)

| Pin | Symbol | Function | Configuration |
|-----|-----------|---|---------------|
| 21 | CLK | Clock output signal for microcontroller, the clock output frequency is set by the crystal to $f_{XTAL}/4$. | |
| 22 | PA_ENABLE | Switches on power amplifier, used for ASK modulation | |
| 23 | ANT2 | Emitter of antenna output stage | |
| 24 | ANT1 | Open collector antenna output | |

Pin Description: Microcontroller Part

| Name | Type | Function | Alternate Function | Pin No. | Reset State |
|-----------------|------|-------------------------------------|---|---------|-------------|
| V _{DD} | – | Supply voltage | – | 13 | NA |
| V _{SS} | – | Circuit ground | – | 12 | NA |
| BP20 | I/O | Bi-directional I/O line of Port 2.0 | NTE-test mode enable, see section “Master Reset” on page 21 | 7 | Input |
| BP40 | I/O | Bi-directional I/O line of Port 4.0 | SC-serial clock or INT3 external interrupt input | 14 | Input |
| BP41 | I/O | Bi-directional I/O line of Port 4.1 | VMI voltage monitor input or T2I external clock input Timer 2 | 9 | Input |
| BP42 | I/O | Bi-directional I/O line of Port 4.2 | T2O Timer 2 output | 10 | Input |
| BP43 | I/O | Bi-directional I/O line of Port 4.3 | SD serial data I/O or INT3 external interrupt input | 11 | Input |
| BP50 | I/O | Bi-directional I/O line of Port 5.0 | INT6 external interrupt input | 17 | Input |
| BP52 | I/O | Bi-directional I/O line of Port 5.2 | INT1 external interrupt input | 16 | Input |
| BP53 | I/O | Bi-directional I/O line of Port 5.3 | INT1 external interrupt input | 15 | Input |
| BP60 | I/O | Bi-directional I/O line of Port 6.0 | T3O Timer 3 output | 20 | Input |
| BP63 | I/O | Bi-directional I/O line of Port 6.3 | T3I Timer 3 input | 6 | Input |
| OSC1 | I | Oscillator input | 4-MHz crystal input or 32-kHz crystal input or external clock input or external trimming resistor input | 18 | Input |
| OSC2 | O | Oscillator output | 4-MHz crystal output or 32-kHz crystal output or external clock input | 19 | Input |
| NRESET | I/O | Bi-directional reset pin | – | 5 | I/O |



UHF ASK/FSK Transmitter Block

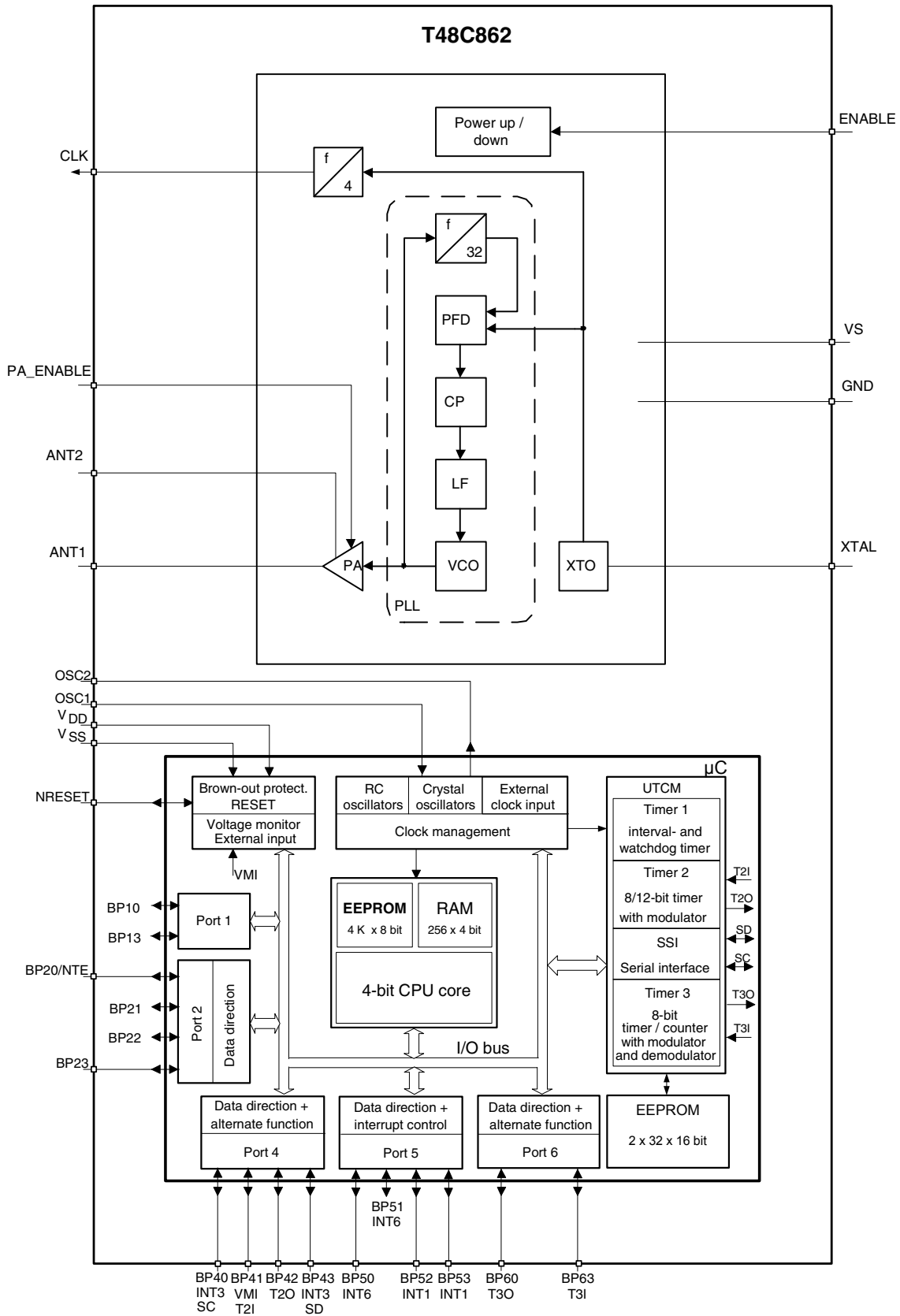
Features

- Integrated PLL Loop Filter
- ESD Protection (4 kV HBM/200 V MM, Except Pin 2: 4 kV HBM/100 V MM) also at ANT1/ANT2
- Maximum Output Power (10 dBm) with Low Supply Current (9.5 mA Typically)
- Modulation Scheme ASK/FSK
 - FSK Modulation is Achieved by Connecting an Additional Capacitor between the XTAL Load Capacitor and the Open-drain Output of the Modulating Microcontroller
- Easy to Design-in Due to Excellent Isolation of the PLL from the PA and Power Supply
- Supply Voltage 2.0 V to 4.0 V in the Temperature Range of -40° C to +125° C
- Single-ended Antenna Output with High Efficient Power Amplifier
- External CLK Output for Clocking the Microcontroller
- 125° C Operation for Tire Pressure Systems

Description

The PLL transmitter block has been developed for the demands of RF low-cost transmission systems, at data rates up to 32 kbaud. The transmitting frequency range is 429 MHz to 439 MHz. It can be used in both FSK and ASK systems.

Figure 3. Block Diagram



General Description

The fully-integrated PLL transmitter that allows particularly simple, low-cost RF miniature transmitters to be assembled. The VCO is locked to $32 \times f_{XTAL}$, thus, a 13.56 MHz crystal is needed for a 433.92 MHz transmitter. All other PLL and VCO peripheral elements are integrated.

The XTO is a series resonance oscillator so that only one capacitor together with a crystal connected in series to GND are needed as external elements.

The crystal oscillator together with the PLL needs maximum < 1 ms until the PLL is locked and the CLK output is stable. A wait time of ≥ 1 ms until the CLK is used for the microcontroller and the PA is switched on.

The power amplifier is an open-collector output delivering a current pulse which is nearly independent from the load impedance. The delivered output power is controlled via the connected load impedance.

This output configuration enables a simple matching to any kind of antenna or to 50Ω . A high power efficiency of $\eta = P_{out} / (I_{S,PA} \times V_S)$ of 36% for the power amplifier results when an optimized load impedance of $Z_{Load} = (166 + j223) \Omega$ is used at 3 V supply voltage.

Functional Description

If $ENABLE = L$ and $PA_ENABLE = L$, the circuit is in standby mode consuming only a very small amount of current so that a lithium cell used as power supply can work for several years.

With $ENABLE = H$, the XTO, PLL and the CLK driver are switched on. If PA_ENABLE remains L, only the PLL and the XTO are running and the CLK signal is delivered to the microcontroller. The VCO locks to 32 times the XTO frequency.

With $ENABLE = H$ and $PA_ENABLE = H$, the PLL, XTO, CLK driver and the power amplifier are on. With PA_ENABLE , the power amplifier can be switched on and off, which is used to perform the ASK modulation.

ASK Transmission

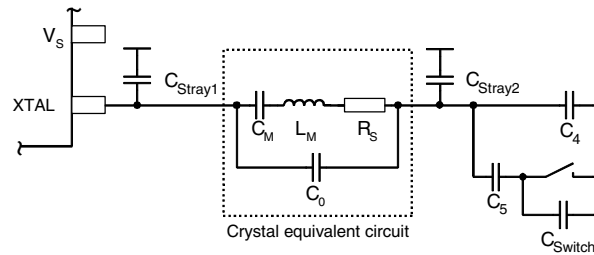
The PLL transmitter block is activated by $ENABLE = H$. PA_ENABLE must remain L for $t \geq 1$ ms, then the CLK signal can be taken to clock the microcontroller and the output power can be modulated by means of pin PA_ENABLE . After transmission, PA_ENABLE is switched to L and the microcontroller switches back to internal clocking. The PLL transmitter block is switched back to standby mode with $ENABLE = L$.

FSK Transmission

The PLL transmitter block is activated by $ENABLE = H$. PA_ENABLE must remain L for $t \geq 1$ ms, then the CLK signal can be taken to clock the microcontroller and the power amplifier is switched on with $PA_ENABLE = H$. The chip is then ready for FSK modulation. The microcontroller starts to switch on and off the capacitor between the XTAL load capacitor and GND with an open-drain output port, thus changing the reference frequency of the PLL. If the switch is closed, the output frequency is lower than if the switch is open. After transmission PA_ENABLE is switched to L and the microcontroller switches back to internal clocking. The PLL transmitter block is switched back to standby mode with $ENABLE = L$.

The accuracy of the frequency deviation with XTAL pulling method is about $\pm 25\%$ when the following tolerances are considered.

Figure 4. Tolerances of Frequency Modulation



Using $C_4 = 9.2 \text{ pF} \pm 2\%$, $C_5 = 6.8 \text{ pF} \pm 5\%$, a switch port with $C_{\text{Switch}} = 3 \text{ pF} \pm 10\%$, stray capacitances on each side of the crystal of $C_{\text{Stray1}} = C_{\text{Stray2}} = 1 \text{ pF} \pm 10\%$, a parallel capacitance of the crystal of $C_0 = 3.2 \text{ pF} \pm 10\%$ and a crystal with $C_M = 13 \text{ fF} \pm 10\%$, an FSK deviation of $\pm 21 \text{ kHz}$ typical with worst case tolerances of $\pm 16.3 \text{ kHz}$ to $\pm 28.8 \text{ kHz}$ results.

CLK Output

An output CLK signal is provided for a connected microcontroller. The delivered signal is CMOS compatible if the load capacitance is lower than 10 pF.

Clock Pulse Take Over

The clock of the crystal oscillator can be used for clocking the microcontroller. the microcontroller block has the special feature of starting with an integrated RC-oscillator to switch on the PLL transmitter block with $\text{ENABLE} = \text{H}$, and after 1 ms to assume the clock signal of the transmission IC, so the message can be sent with crystal accuracy.

Output Matching and Power Setting

The output power is set by the load impedance of the antenna. The maximum output power is achieved with a load impedance of $Z_{\text{Load,opt}} = (166 + j223) \Omega$. There must be a low resistive path to V_S to deliver the DC current.

The delivered current pulse of the power amplifier is 9 mA and the maximum output power is delivered to a resistive load of 465 Ω if the 1.0 pF output capacitance of the power amplifier is compensated by the load impedance.

An optimum load impedance of:

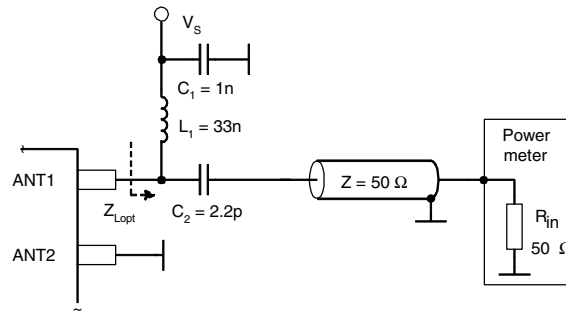
$Z_{\text{Load}} = 465 \Omega \parallel j/(2 \times \pi \times 1.0 \text{ pF}) = (166 + j223) \Omega$ thus results for the maximum output power of 7.5 dBm.

The load impedance is defined as the impedance seen from the PLL transmitter block's ANT1, ANT2 into the matching network. Do not confuse this large signal load impedance with a small signal input impedance delivered as input characteristic of RF amplifiers and measured from the application into the IC instead of from the IC into the application for a power amplifier.

Less output power is achieved by lowering the real parallel part of 465 Ω where the parallel imaginary part should be kept constant.

Output power measurement can be done with the circuit shown in Figure 5 on page 8. Note that the component values must be changed to compensate the individual board parasitics until the PLL transmitter block has the right load impedance $Z_{\text{Load,opt}} = (166 + j223) \Omega$. Also the damping of the cable used to measure the output power must be calibrated.

Figure 5. Output Power Measurement



Application Circuit

For the supply-voltage blocking capacitor C_3 , a value of 68 nF/X7R is recommended (see Figure 6 on page 9 and Figure 7 on page 10). C_1 and C_2 are used to match the loop antenna to the power amplifier where C_1 typically is 8.2 pF/NP0 and C_2 is 6 pF/NP0 (10 pF + 15 pF in series); for C_2 two capacitors in series should be used to achieve a better tolerance value and to have the possibility to realize the $Z_{Load,opt}$ by using standard valued capacitors.

C_1 forms together with the pins of PLL transmitter block and the PCB board wires a series resonance loop that suppresses the 1st harmonic, thus, the position of C_1 on the PCB is important. Normally the best suppression is achieved when C_1 is placed as close as possible to the pins ANT1 and ANT2.

The loop antenna should not exceed a width of 1.5 mm, otherwise the Q-factor of the loop antenna is too high.

L_1 (\approx 50 nH to 100 nH) can be printed on PCB. C_4 should be selected so the XTO runs on the load resonance frequency of the crystal. Normally, a value of 12 pF results for a 15 pF load-capacitance crystal.

Figure 6. ASK Application Circuit

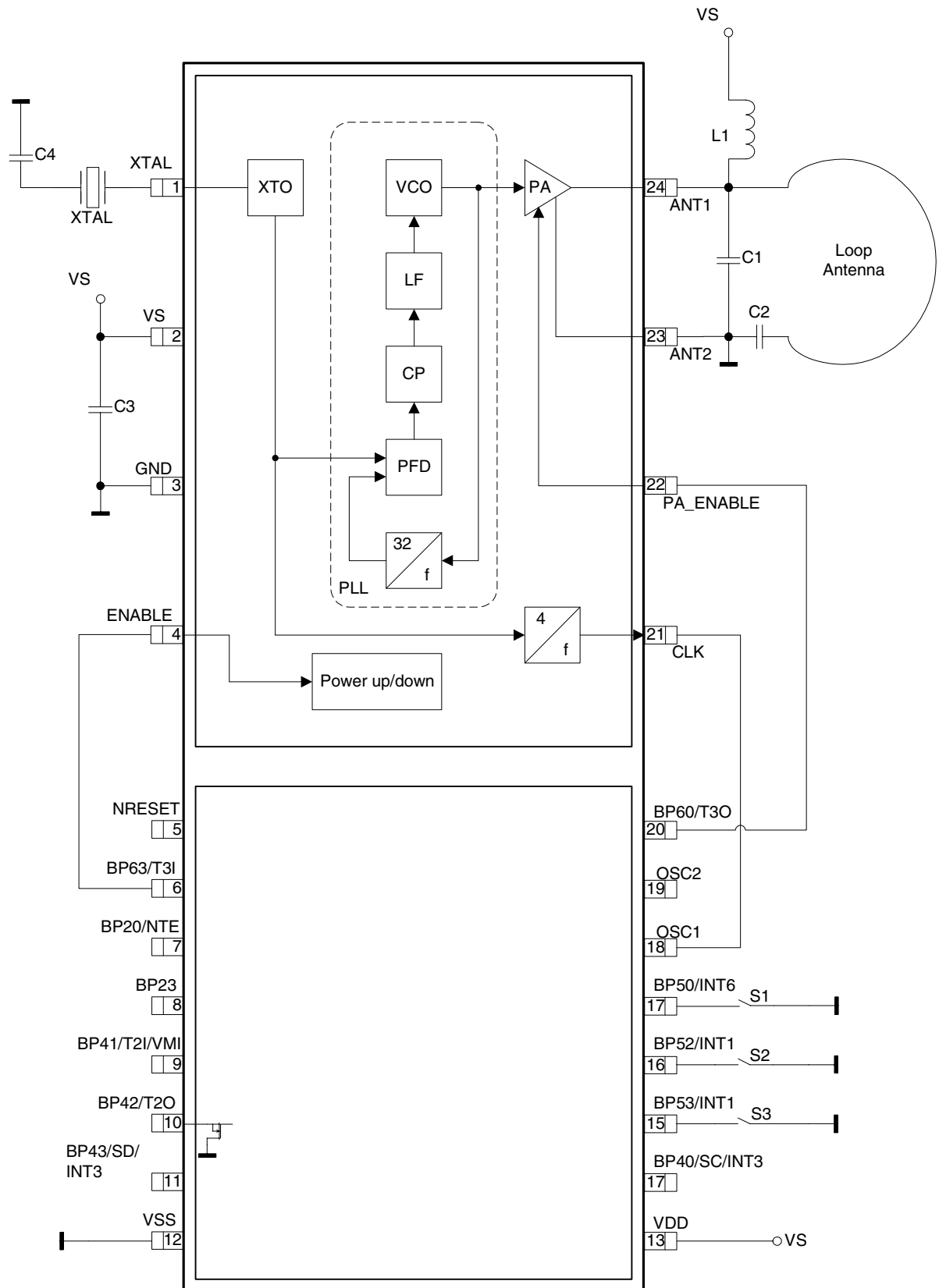


Figure 7. FSK Application Circuit

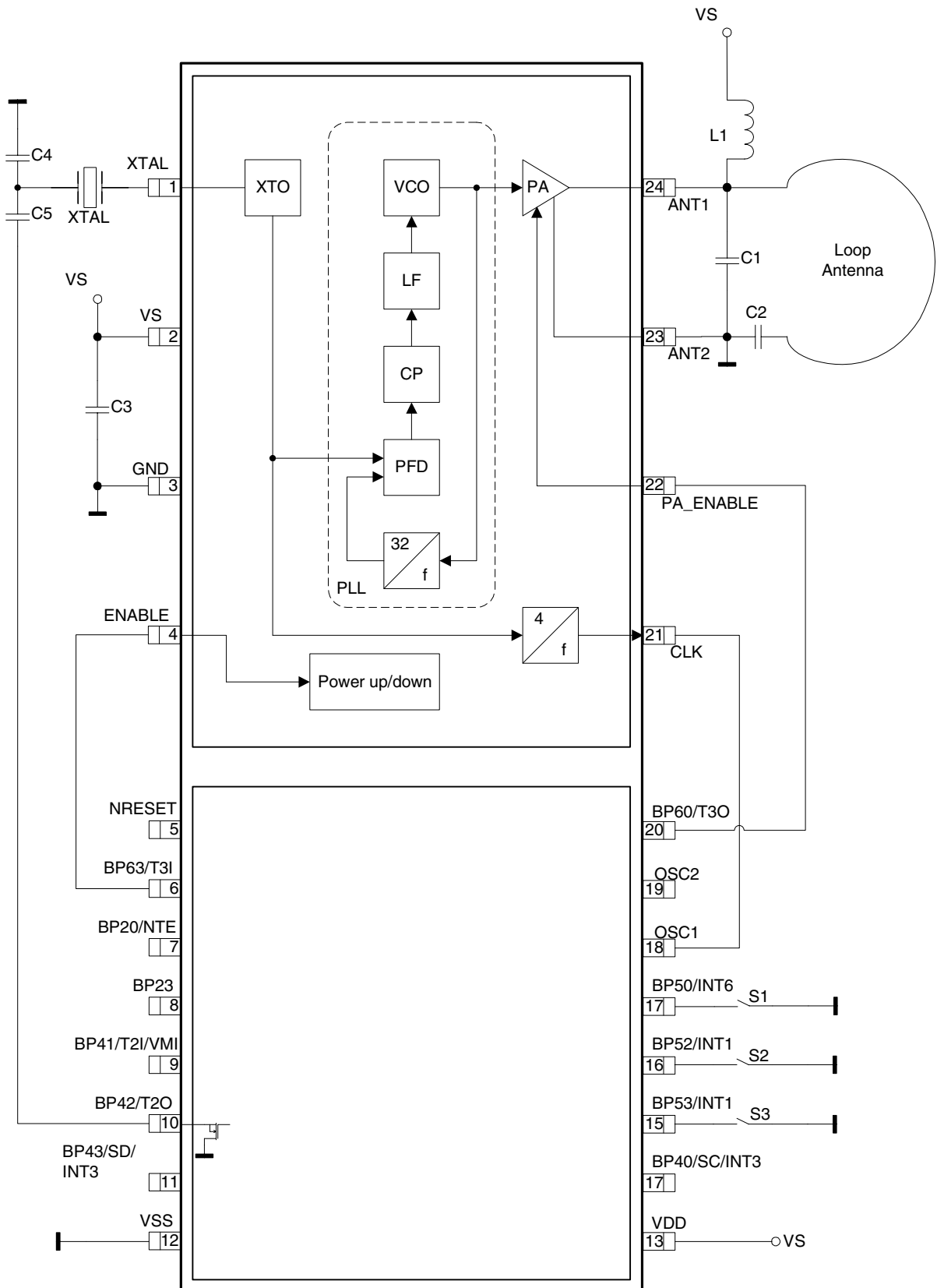
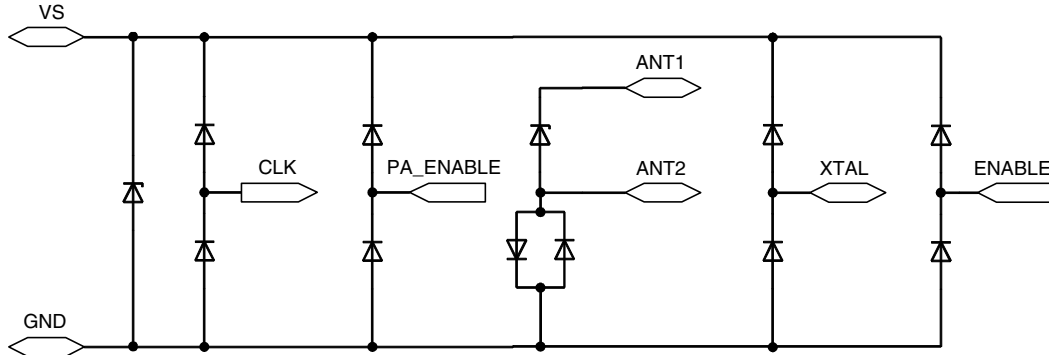


Figure 8. ESD Protection Circuit



Absolute Maximum Ratings: RF Part

Stresses beyond those listed under “Absolute Maximum Ratings” may cause permanent damage to the device. This is a stress rating only and functional operation of the device at these or any other conditions beyond those indicated in the operational sections of this specification is not implied. Exposure to absolute maximum rating conditions for extended periods may affect device reliability.

| Parameters | Symbol | Min. | Max. | Unit |
|----------------------|-----------|------|------|------|
| Supply voltage | V_S | | 5 | V |
| Power dissipation | P_{tot} | | 100 | mW |
| Junction temperature | T_J | | 150 | °C |
| Storage temperature | T_{stg} | -55 | +125 | °C |
| Ambient temperature | T_{amb} | -55 | +125 | °C |

Thermal Resistance

| Parameters | Symbol | Value | Unit |
|------------------|------------|-------|------|
| Junction ambient | R_{thJA} | 135 | K/W |

Electrical Characteristics

$V_S = 2.0\text{ V to }4.0\text{ V}$, $T_{amb} = -40^\circ\text{ C to }+125^\circ\text{ C}$ unless otherwise specified.

Typical values are given at $V_S = 3.0\text{ V}$ and $T_{amb} = 25^\circ\text{ C}$. All parameters are referred to GND (Pin 3).

| Parameters | Test Conditions | Symbol | Min. | Typ. | Max. | Unit |
|----------------|---|-------------------|------|------|----------|---------------------------|
| Supply current | Power down, $V_{ENABLE} < 0.25\text{ V}$, $-40^\circ\text{ C to }+85^\circ\text{ C}$ $V_{PA-ENABLE} < 0.25\text{ V}$, $-85^\circ\text{ C to }+125^\circ\text{ C}$ $V_{PA-ENABLE} < 0.25\text{ V}$, 25° C (100% correlation tested) | I_{S_Off} | | <10 | 350 7 | nA μA nA |
| Supply current | Power up, PA off, $V_S = 3\text{ V}$ $V_{ENABLE} > 1.7\text{ V}$, $V_{PA-ENABLE} < 0.25\text{ V}$ | I_S | | 3.7 | 4.8 | mA |
| Supply current | Power up, $V_S = 3.0\text{ V}$ $V_{ENABLE} > 1.7\text{ V}$, $V_{PA-ENABLE} > 1.7\text{ V}$ | $I_{S_Transmit}$ | | 9 | 11.6 | mA |

Electrical Characteristics (Continued)

$V_S = 2.0\text{ V}$ to 4.0 V , $T_{\text{amb}} = -40^\circ\text{ C}$ to $+125^\circ\text{ C}$ unless otherwise specified.

Typical values are given at $V_S = 3.0\text{ V}$ and $T_{\text{amb}} = 25^\circ\text{ C}$. All parameters are referred to GND (Pin 3).

| Parameters | Test Conditions | Symbol | Min. | Typ. | Max. | Unit |
|--|---|---|------------------|-------------------|------------------|-------------------------|
| Output power | $V_S = 3.0\text{ V}$, $T_{\text{amb}} = 25^\circ\text{ C}$ $f = 433.92\text{ MHz}$, $Z_{\text{Load}} = (166 + j233)\ \Omega$ | P_{Ref} | 5.5 | 7.5 | 10 | dBm |
| Output power variation for the full temperature range | $T_{\text{amb}} = -40^\circ\text{ C}$ to $+85^\circ\text{ C}$ $V_S = 3.0\text{ V}$ $V_S = 2.0\text{ V}$ | ΔP_{Ref} ΔP_{Ref} | | | -1.5 -4.0 | dB dB |
| Output power variation for the full temperature range | $T_{\text{amb}} = -40^\circ\text{ C}$ to $+125^\circ\text{ C}$ $V_S = 3.0\text{ V}$ $V_S = 2.0\text{ V}$ $P_{\text{Out}} = P_{\text{Ref}} + \Delta P_{\text{Ref}}$ | ΔP_{Ref} ΔP_{Ref} | | | -2.0 -4.5 | dB dB |
| Achievable output-power range | Selectable by load impedance | $P_{\text{Out_typ}}$ | 0 | | 7.5 | dBm |
| Spurious emission | $f_{\text{CLK}} = f_0/128$ Load capacitance at Pin CLK = 10 pF $f_0 \pm 1 \times f_{\text{CLK}}$ $f_0 \pm 4 \times f_{\text{CLK}}$ other spurious are lower | | | -55 -52 | | dBc dBc |
| Oscillator frequency XTO (= phase comparator frequency) | $f_{\text{XTO}} = f_0/32$ f_{XTAL} = resonant frequency of the XTAL, $C_M \leq 10\text{ fF}$, load capacitance selected accordingly $T_{\text{amb}} = -40^\circ\text{ C}$ to $+85^\circ\text{ C}$ $T_{\text{amb}} = -40^\circ\text{ C}$ to $+125^\circ\text{ C}$ | f_{XTO} | -30 -40 | f_{XTAL} | +30 +40 | ppm ppm |
| PLL loop bandwidth | | | | 250 | | kHz |
| Phase noise of phase comparator | Referred to $f_{\text{PC}} = f_{\text{XTO}}$, 25 kHz distance to carrier | | | -116 | -110 | dBc/Hz |
| In loop phase noise PLL | 25 kHz distance to carrier | | | -86 | -80 | dBc/Hz |
| Phase noise VCO | at 1 MHz at 36 MHz | | | -94 -125 | -90 -121 | dBc/Hz dBc/Hz |
| Frequency range of VCO | | f_{VCO} | 429 | | 439 | MHz |
| Clock output frequency (CMOS microcontroller compatible) | | | | $f_0/128$ | | MHz |
| Voltage swing at Pin CLK | $C_{\text{Load}} \leq 10\text{ pF}$ | V_{Oh} V_{Ol} | $V_S \times 0.8$ | | $V_S \times 0.2$ | V V |
| Series resonance R of the crystal | | R_s | | | 110 | Ω |
| Capacitive load at Pin XTO | | | | | 7 | pF |
| FSK modulation frequency rate | Duty cycle of the modulation signal = 50% | | 0 | | 32 | kHz |
| ASK modulation frequency rate | Duty cycle of the modulation signal = 50% | | 0 | | 32 | kHz |
| ENABLE input | Low level input voltage High level input voltage Input current high | V_{Il} V_{Ih} I_{In} | 1.7 | | 0.25 20 | V V μA |
| PA_ENABLE input | Low level input voltage High level input voltage Input current high | V_{Il} V_{Ih} I_{In} | 1.7 | | 0.25 5 | V V μA |

Microcontroller Block

Features

- 4-Kbyte ROM, 256 x 4-bit RAM
- EEPROM Programmable Options
- Read Protection for the EEPROM Program Memory
- 11 Bi-directional I/Os
- Up to Seven External/Internal Interrupt Sources
- Eight Hardware and Software Interrupt Priorities
- Multifunction Timer/Counter
 - IR Remote Control Carrier Generator
 - Biphase-, Manchester- and Pulse-width Modulator and Demodulator
 - Phase Control Function
- Programmable System Clock with Prescaler and Five Different Clock Sources
- Very Low Sleep Current ($< 1 \mu\text{A}$)
- 2×512 -bit EEPROM Data Memory
- 256×4 -bit RAM Data Memory
- Synchronous Serial Interface (2-wire, 3-wire)
- Watchdog, POR and Brown-out Function
- Voltage Monitoring Inclusive Lo_BAT Detect

Description

The microcontroller is designed with EEPROM cells so it can be programmed several times. To offer full compatibility with each ROM version, the I/O configuration is stored into a separate internal EEPROM block during programming. The configuration is downloaded to the I/Os with every power-on reset.

Introduction

The microcontroller block is a member of Atmel's family of 4-bit single-chip microcontrollers. Instead of ROM it contains EEPROM, RAM, parallel I/O ports, two 8-bit programmable multifunction timer/counters, voltage supervisor, interval timer with watchdog function and a sophisticated on-chip clock generation with integrated RC-, 32-kHz and 4-MHz crystal oscillators.

Differences between T48C862-R4 and ATAR862 Microcontrollers

Program Memory

The program memory of the devices is realized as an EEPROM. The memory size for user programs is 4096 bytes. It is programmed as 258×16 bytes blocks of data. The implement LOCK-bit function is user-selectable and protects the device from unauthorized read-out of the program memory.

Configuration Memory

An additional area of 32 bytes of the EEPROM is used to store information about the hardware configuration. All the options that are selectable for the ROM versions are available to the user. This includes not only the different port options but also the possibilities to select different capacitors for OSC1 and OSC2, the option to enable or disable the hardlock for the watchdog, the option to select OSC2 instead of OSC1 as external clock input and the option to enable the external clock monitor as a reset source.

Data Memory

The microcontroller block contains an internal data EEPROM that is organized as two pages of 32×16 -bit. To be compatible with the ROM parts, the page used has to be defined within the application software by writing the 2-wire interface (TWI) command "09h" to the EEPROM. This command has no effect for the microcontroller block, if it is left inside the HEX-file for the ROM version. Also for compatibility reasons, the access to the EEPROM is handled via the MCL (serial interface) as in the corresponding ROM parts.

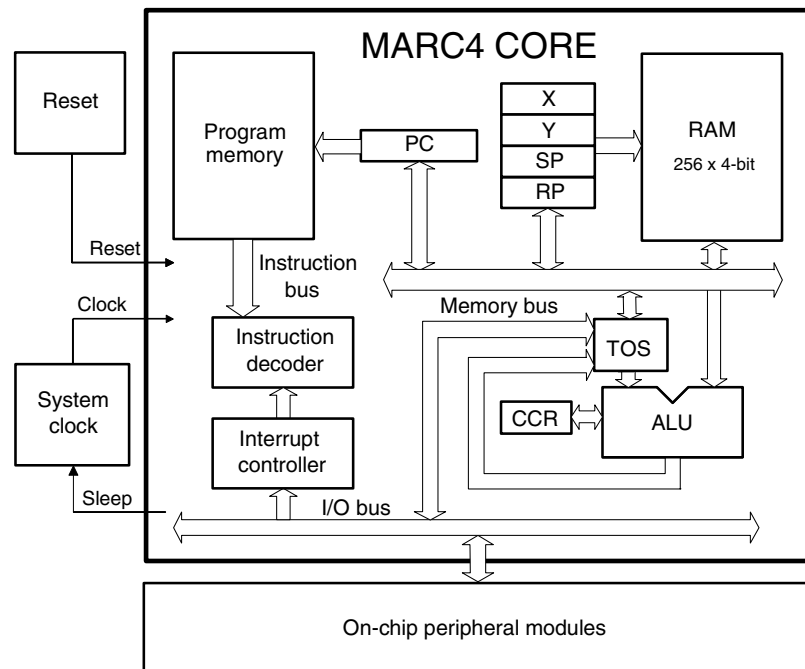
Reset Function

During each reset (power-on or brown-out), the I/O configuration is deleted and reloaded with the data from the configuration memory. This leads to a slightly different behavior compared to the ROM versions. Both devices switch their I/Os to input during reset but the ROM part has the mask selected pull-up or pull-down resistors active while the MTP has them removed until the download is finished.

MARC4 Architecture General Description

The microcontroller consists of an advanced stack-based, 4-bit CPU core and on-chip peripherals. The CPU is based on the Harvard architecture with physically separated program memory (ROM) and data memory (RAM). Three independent buses, the instruction bus, the memory bus and the I/O bus, are used for parallel communication between ROM, RAM and peripherals. This enhances program execution speed by allowing both instruction prefetching, and a simultaneous communication to the on-chip peripheral circuitry. The extremely powerful integrated interrupt controller with associated eight prioritized interrupt levels supports fast and efficient processing of hardware events. The microcontroller is designed for the high-level programming language qFORTH. The core includes both an expression and a return stack. This architecture enables high-level language programming without any loss of efficiency or code density.

Figure 9. MARC4 Core



Components of MARC4 Core

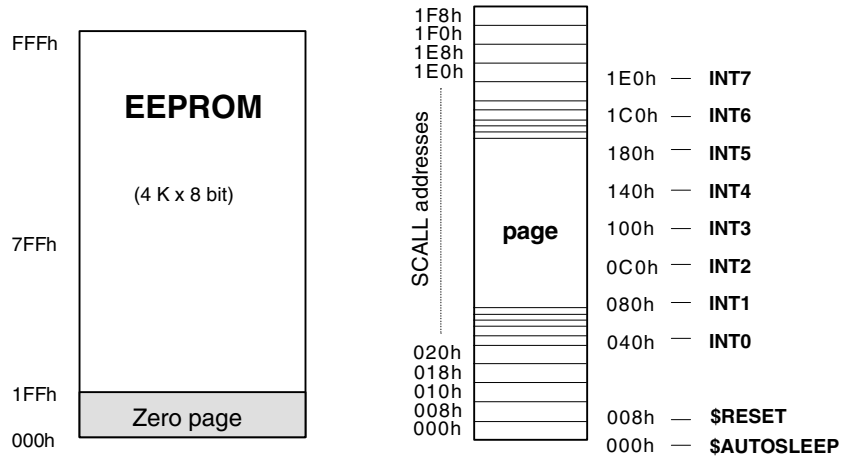
The core contains ROM, RAM, ALU, program counter, RAM address registers, instruction decoder and interrupt controller. The following sections describe each functional block in more detail.

Program Memory

The program memory (EEPROM) is programmable with the customer application program during the fabrication of the microcontroller. The EEPROM is addressed by a 12-bit wide program counter, thus predefining a maximum program bank size of 4-Kbytes. The lowest user program memory address segment is taken up by a 512 bytes Zero page which contains predefined start addresses for interrupt service routines and special subroutines accessible with single byte instructions (SCALL).

The corresponding memory map is shown in Figure 10. Look-up tables of constants can also be held in ROM and are accessed via the microcontrollers' built-in table instruction.

Figure 10. ROM Map of the Microcontroller Block



RAM

The microcontroller block contains a 256 x 4-bit wide static random access memory (RAM), which is used for the expression stack. The return stack and data memory are used for variables and arrays. The RAM is addressed by any of the four 8-bit wide RAM address registers SP, RP, X and Y.

Expression Stack

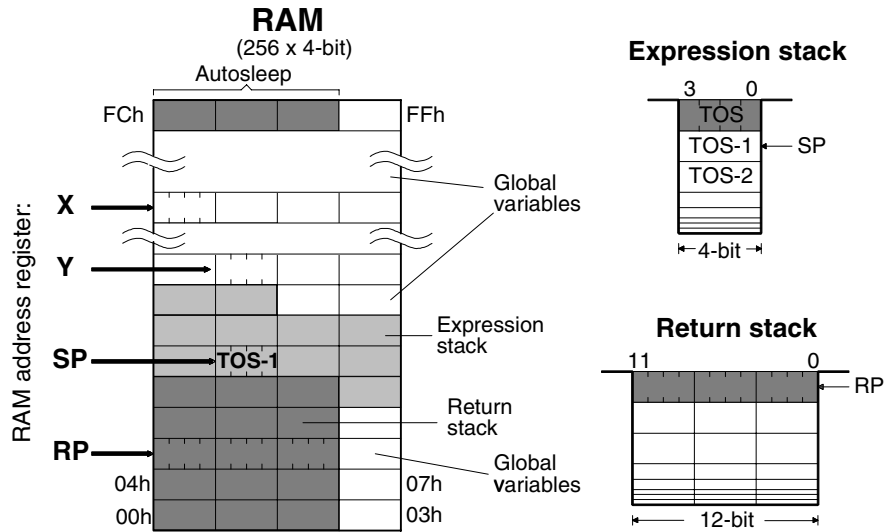
The 4-bit wide expression stack is addressed with the expression stack pointer (SP). All arithmetic, I/O and memory reference operations take their operands, and return their results to the expression stack. The microcontroller performs the operations with the top of stack items (TOS and TOS-1). The TOS register contains the top element of the expression stack and works in the same way as an accumulator. This stack is also used for passing parameters between subroutines and as a scratch pad area for temporary storage of data.

Return Stack

The 12-bit wide return stack is addressed by the return stack pointer (RP). It is used for storing return addresses of subroutines, interrupt routines and for keeping loop index counts. The return stack can also be used as a temporary storage area.

The microcontroller instruction set supports the exchange of data between the top elements of the expression stack and the return stack. The two stacks within the RAM have a user definable location and maximum depth.

Figure 11. RAM Map



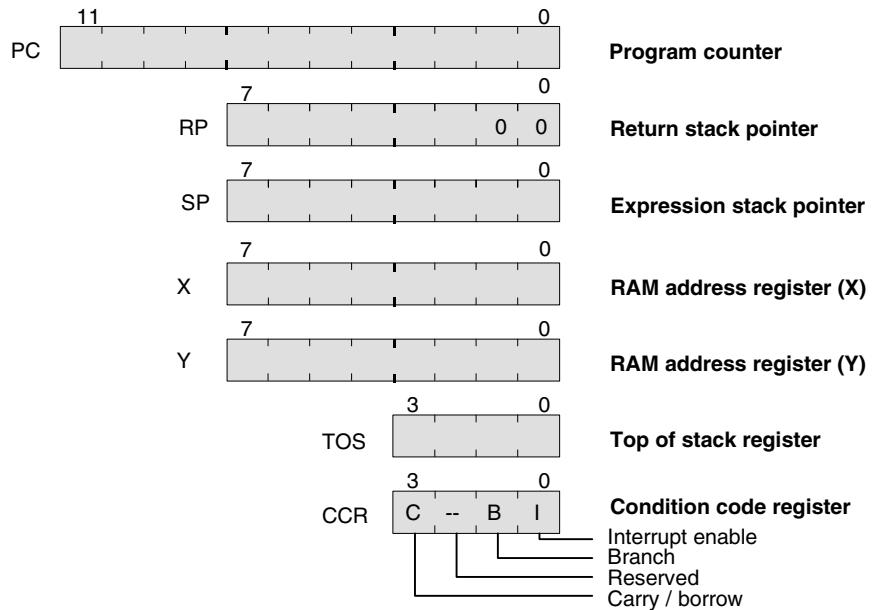
Registers

The microcontroller has seven programmable registers and one condition code register (see Figure 12).

Program Counter (PC)

The program counter is a 12-bit register which contains the address of the next instruction to be fetched from the EEPROM. Instructions currently being executed are decoded in the instruction decoder to determine the internal micro-operations. For linear code (no calls or branches), the program counter is incremented with every instruction cycle. If a branch-, call-, return-instruction or an interrupt is executed, the program counter is loaded with a new address. The program counter is also used with the table instruction to fetch 8-bit wide EEPROM constants.

Figure 12. Programming Mode I

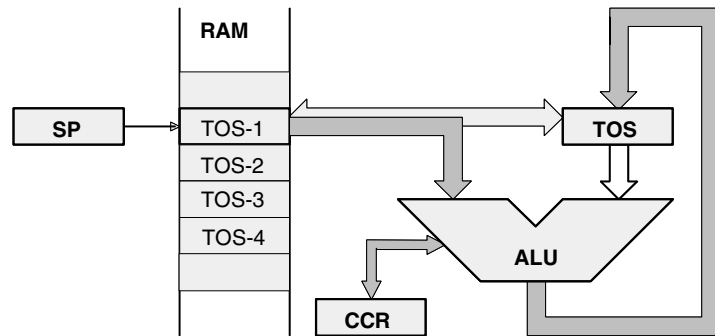


| | |
|--|--|
| RAM Address Registers | The RAM is addressed with the four 8-bit wide RAM address registers: SP, RP, X and Y. These registers allow access to any of the 256 RAM nibbles. |
| Expression Stack Pointer (SP) | The stack pointer contains the address of the next-to-top 4-bit item (TOS-1) of the expression stack. The pointer is automatically pre-incremented if a nibble is moved onto the stack or post-decremented if a nibble is removed from the stack. Every post-decrement operation moves the item (TOS-1) to the TOS register before the SP is decremented. After a reset, the stack pointer has to be initialized with >SP S0 to allocate the start address of the expression stack area. |
| Return Stack Pointer (RP) | The return stack pointer points to the top element of the 12-bit wide return stack. The pointer automatically pre-increments if an element is moved onto the stack, or it post-decrements if an element is removed from the stack. The return stack pointer increments and decrements in steps of 4. This means that every time a 12-bit element is stacked, a 4-bit RAM location is left unwritten. This location is used by the qFORTH compiler to allocate 4-bit variables. After a reset the return stack pointer has to be initialized via >RP FCh. |
| RAM Address Registers (X and Y) | The X and Y registers are used to address any 4-bit item in the RAM. A fetch operation moves the addressed nibble onto the TOS. A store operation moves the TOS to the addressed RAM location. By using either the pre-increment or post-decrement addressing mode arrays in the RAM can be compared, filled or moved. |
| Top of Stack (TOS) | The top of stack register is the accumulator of the microcontroller block. All arithmetic/logic, memory reference and I/O operations use this register. The TOS register receives data from the ALU, EEPROM, RAM or I/O bus. |
| Condition Code Register (CCR) | The 4-bit wide condition code register contains the branch, the carry and the interrupt enable flag. These bits indicate the current state of the CPU. The CCR flags are set or reset by ALU operations. The instructions SET_BCF, TOG_BF, CCR! and DI allow direct manipulation of the condition code register. |
| Carry/Borrow (C) | The carry/borrow flag indicates that the borrowing or carrying out of arithmetic logic unit (ALU) occurred during the last arithmetic operation. During shift and rotate operations, this bit is used as a fifth bit. Boolean operations have no effect on the C-flag. |
| Branch (B) | The branch flag controls the conditional program branching. Should the branch flag has been set by a previous instruction, a conditional branch will cause a jump. This flag is affected by arithmetic, logic, shift, and rotate operations. |
| Interrupt Enable (I) | The interrupt enable flag globally enables or disables the triggering of all interrupt routines with the exception of the non-maskable reset. After a reset or while executing the DI instruction, the interrupt enable flag is reset, thus disabling all interrupts. The core will not accept any further interrupt requests until the interrupt enable flag has been set again by either executing an EI or SLEEP instruction. |

ALU

The 4-bit ALU performs all the arithmetic, logical, shift and rotate operations with the top two elements of the expression stack (TOS and TOS-1) and returns the result to the TOS. The ALU operations affects the carry/borrow and branch flag in the condition code register (CCR).

Figure 13. ALU Zero-address Operations



I/O Bus

The I/O ports and the registers of the peripheral modules are I/O mapped. All communication between the core and the on-chip peripherals take place via the I/O bus and the associated I/O control. With the microcontroller IN and OUT instructions, the I/O bus allows a direct read or write access to one of the 16 primary I/O addresses. More about the I/O access to the on-chip peripherals is described in the section “Peripheral Modules”. The I/O bus is internal and is not accessible by the customer on the final microcontroller device, but it is used as the interface for the microcontroller emulation (see section “Emulation” on page 98).

Instruction Set

The microcontroller instruction set is optimized for the high level programming language qFORTH. Many microcontroller instructions are qFORTH words. This enables the compiler to generate a fast and compact program code. The CPU has an instruction pipeline allowing the controller to prefetch an instruction from EEPROM at the same time as the present instruction is being executed. The microcontroller is a zero-address machine, the instructions contain only the operation to be performed and no source or destination address fields. The operations are implicitly performed on the data placed on the stack. There are one- and two-byte instructions which are executed within 1 to 4 machine cycles. A microcontroller machine cycle is made up of two system clock cycles (SYSCL). Most of the instructions are only one byte long and are executed in a single machine cycle. For more information refer to the “MARC4 Programmer’s Guide”.

Interrupt Structure

The microcontroller can handle interrupts with eight different priority levels. They can be generated from the internal and external interrupt sources or by a software interrupt from the CPU itself. Each interrupt level has a hard-wired priority and an associated vector for the service routine in the EEPROM (see Table 1 on page 20). The programmer can postpone the processing of interrupts by resetting the interrupt enable flag (I) in the CCR. An interrupt occurrence will still be registered, but the interrupt routine only started after the I-flag is set. All interrupts can be masked, and the priority individually software configured by programming the appropriate control register of the interrupting module (see section “Peripheral Modules” on page 30).

Interrupt Processing

For processing the eight interrupt levels, the microcontroller includes an interrupt controller with two 8-bit wide interrupt pending and interrupt active registers. The interrupt controller samples all interrupt requests during every non-I/O instruction cycle and latches these in the interrupt pending register. If no higher priority interrupt is present in the interrupt active register, it signals the CPU to interrupt the current program execution. If the interrupt enable bit is set, the processor enters an interrupt acknowledge cycle. During this cycle a short call (SCALL) instruction to the service routine is executed and the current PC is saved on the return stack. An interrupt service routine is completed with the RTI instruction. This instruction resets the corresponding bits in the interrupt pending/active register and fetches the return address from the return stack to the program counter. When the interrupt enable flag is reset (triggering of interrupt routines is disabled), the execution of new interrupt service routines is inhibited but not the logging of the interrupt requests in the interrupt pending register. The execution of the interrupt is delayed until the interrupt enable flag is set again. Note that interrupts are only lost if an interrupt request occurs while the corresponding bit in the pending register is still set (i.e., the interrupt service routine is not yet finished).

It should be noted that automatic stacking of the RBR is not carried out by the hardware and so if ROM banking is used, the RBR must be stacked on the expression stack by the application program and restored before the RTI. After a master reset (power-on, brown-out or watchdog reset), the interrupt enable flag and the interrupt pending and interrupt active register are all reset.

Interrupt Latency

The interrupt latency is the time from the occurrence of the interrupt to the interrupt service routine being activated. This is extremely short (taking between 3 to 5 machine cycles depending on the state of the core).

Figure 14. Interrupt Handling

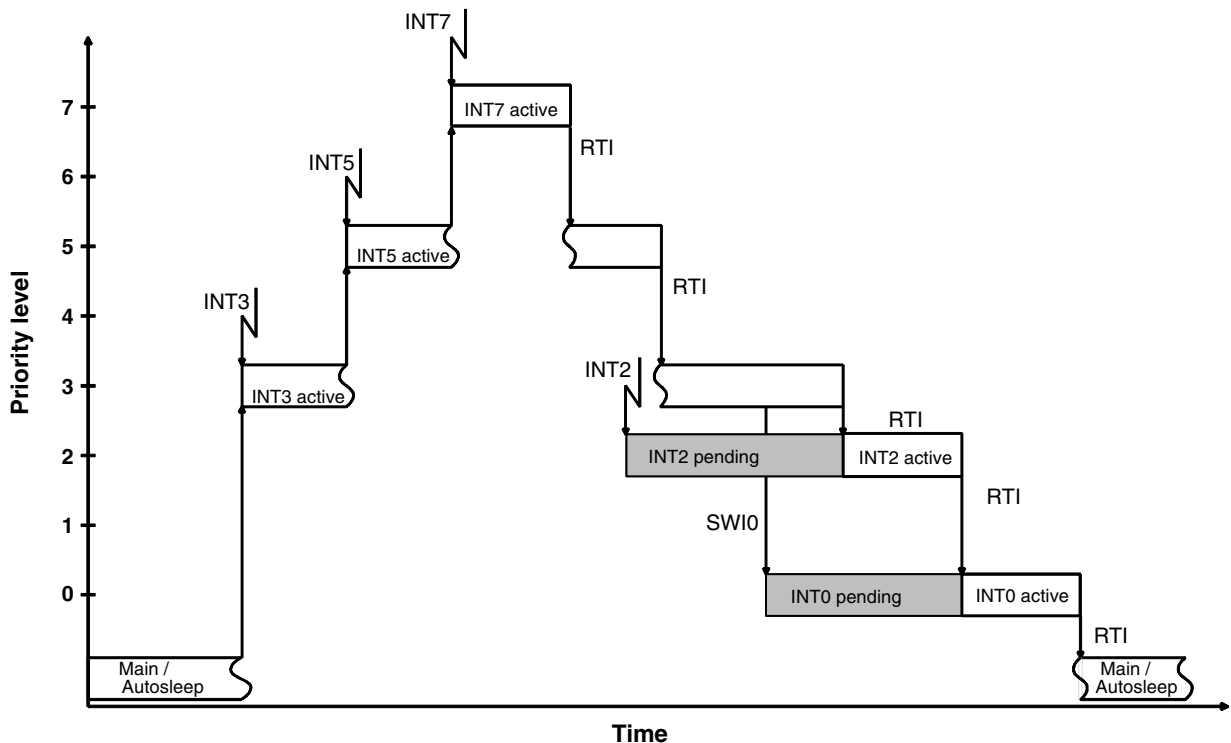


Table 1. Interrupt Priority

| Interrupt | Priority | ROM Address | Interrupt Opcode | Function |
|-----------|----------|-------------|------------------|--|
| INT0 | Lowest | 040h | C8h (SCALL 040h) | Software interrupt (SWI0) |
| INT1 | | 080h | D0h (SCALL 080h) | External hardware interrupt, any edge at BP52 or BP53 |
| INT2 | | 0C0h | D8h (SCALL 0C0h) | Timer 1 interrupt |
| INT3 | | 100h | E8h (SCALL 100h) | SSI interrupt or external hardware interrupt at BP40 or BP43 |
| INT4 | | 140h | E8h (SCALL 140h) | Timer 2 interrupt |
| INT5 | | 180h | F0h (SCALL 180h) | Timer 3 interrupt |
| INT6 | | 1C0h | F8h (SCALL 1C0h) | External hardware interrupt, at any edge at BP50 or BP51 |
| INT7 | Highest | 1E0h | FCh (SCALL 1E0h) | Voltage monitor (VM) interrupt |

Table 2. Hardware Interrupts

| Interrupt | Interrupt Mask | | Interrupt Source |
|-----------|-----------------------|------------------------------|---|
| | Register | Bit | |
| INT1 | P5CR | P52M1, P52M2 P53M1, P53M2 | Any edge at BP52 any edge at BP53 |
| INT2 | T1M | T1IM | Timer 1 |
| INT3 | SISC | SIM | SSI buffer full/empty or BP40/BP43 interrupt |
| INT4 | T2CM | T2IM | Timer 2 compare match/overflow |
| INT5 | T3CM1 T3CM2 T3C | T3IM1 T3IM2 T3EIM | Timer 3 compare register 1 match Timer 3 compare register 2 match Timer 3 edge event occurs (T3I) |
| INT6 | P5CR | P50M1, P50M2 P51M1, P51M2 | Any edge at BP50, any edge at BP51 |
| INT7 | VCM | VIM | External/internal voltage monitoring |

Software Interrupts

The programmer can generate interrupts by using the software interrupt instruction (SWI), which is supported in qFORTH by predefined macros named SWI0...SWI7. The software triggered interrupt operates exactly like any hardware triggered interrupt. The SWI instruction takes the top two elements from the expression stack and writes the corresponding bits via the I/O bus to the interrupt pending register. Therefore, by using the SWI instruction, interrupts can be re-prioritized or lower priority processes scheduled for later execution.

Hardware Interrupts

In the microcontroller block, there are eleven hardware interrupt sources with seven different levels. Each source can be masked individually by mask bits in the corresponding control registers. An overview of the possible hardware configurations is shown in Table 2 on page 20.

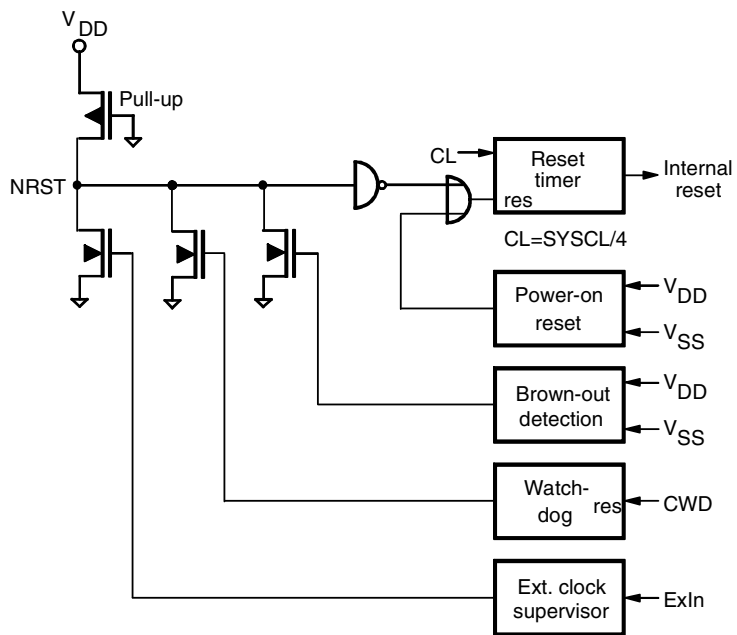
Master Reset

The master reset forces the CPU into a well-defined condition. It is unmaskable and is activated independent of the current program state. It can be triggered by either initial supply power-up, a short collapse of the power supply, brown-out detection circuitry, watchdog time-out, or an external input clock supervisor stage (see Figure 15). A master reset activation will reset the interrupt enable flag, the interrupt pending register and the interrupt active register. During the power-on reset phase, the I/O bus control signals are set to reset mode, thereby, initializing all on-chip peripherals. All bi-directional ports are set to input mode.

Attention: During any reset phase, the BP20/NTE input is driven towards V_{DD} by an additional internal strong pull-up transistor. This pin must not be pulled down to V_{SS} during reset by any external circuitry representing a resistor of less than 150 k Ω .

Releasing the reset results in a short call instruction (opcode C1h) to the ROM address 008h. This activates the initialization routine \$RESET which in turn has to initialize all necessary RAM variables, stack pointers and peripheral configuration registers (see Table 9 on page 32).

Figure 15. Reset Configuration



Power-on Reset and Brown-out Detection

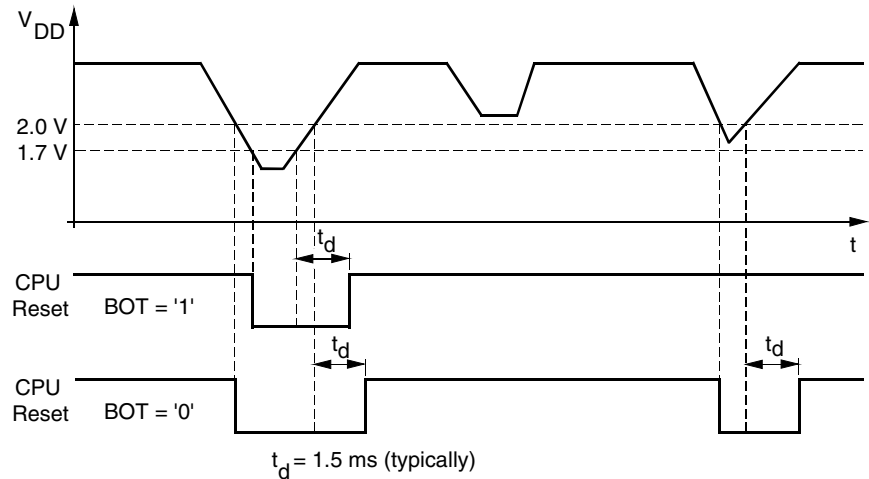
The microcontroller block has a fully integrated power-on reset and brown-out detection circuitry. For reset generation no external components are needed.

These circuits ensure that the core is held in the reset state until the minimum operating supply voltage has been reached. A reset condition will also be generated should the supply voltage drop momentarily below the minimum operating level except when a power-down mode is activated (the core is in SLEEP mode and the peripheral clock is stopped). In this power-down mode the brown-out detection is disabled.

Two values for the brown-out voltage threshold are programmable via the BOT bit in the SC register.

A power-on reset pulse is generated by a V_{DD} rise across the default BOT voltage level (1.7 V). A brown-out reset pulse is generated when V_{DD} falls below the brown-out voltage threshold. Two values for the brown-out voltage threshold are programmable via the BOT bit in the SC register. When the controller runs in the upper supply voltage range with a high system clock frequency, the high threshold must be used. When it runs with a lower system clock frequency, the low threshold and a wider supply voltage range may be chosen. For further details, see the electrical specification and the SC register description for BOT programming.

Figure 16. Brown-out Detection



BOT = 1, low brown-out voltage threshold 1.7 V (is reset value).
 BOT = 0, high brown-out voltage threshold 2.0 V.

Watchdog Reset

The watchdog's function can be enabled at the WDC register and triggers a reset with every watchdog counter overflow. To suppress the watchdog reset, the watchdog counter must be regularly reset by reading the watchdog register address (CWD). The CPU reacts in exactly the same manner as a reset stimulus from any of the above sources.

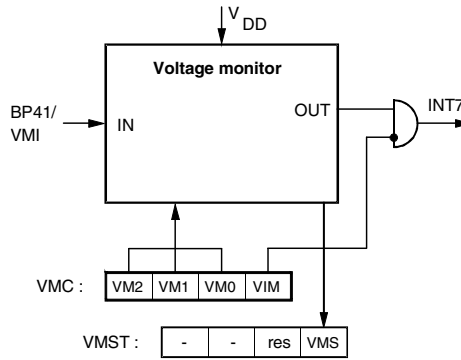
External Clock Supervisor

The external input clock supervisor function can be enabled if the external input clock is selected within the CM and SC registers of the clock module. The CPU reacts in exactly the same manner as a reset stimulus from any of the above sources.

Voltage Monitor

The voltage monitor consists of a comparator with internal voltage reference. It is used to supervise the supply voltage or an external voltage at the VMI pin. The comparator for the supply voltage has three internal programmable thresholds one lower threshold (2.2 V), one middle threshold (2.6 V) and one higher threshold (3.0 V). For external voltages at the VMI pin, the comparator threshold is set to $V_{BG} = 1.3 \text{ V}$. The VMS bit indicates if the supervised voltage is below (VMS = 0) or above (VMS = 1) this threshold. An interrupt can be generated when the VMS bit is set or reset to detect a rising or falling slope. A voltage monitor interrupt (INT7) is enabled when the interrupt mask bit (VIM) is reset in the VMC register.

Figure 17. Voltage Monitor



**Voltage Monitor
Control/Status Register**

Primary register address: "F"hex

| | | | | | |
|-------------------|------------|------------|-----------------|------------|---------------------------|
| | Bit 3 | Bit 2 | Bit 1 | Bit 0 | |
| VMC: Write | VM2 | VM1 | VM0 | VIM | Reset value: 1111b |
| VMST: Read | - | - | Reserved | VMS | Reset value: xx11b |

- VM2:** Voltage monitor **M**ode bit **2**
- VM1:** Voltage monitor **M**ode bit **1**
- VM0:** Voltage monitor **M**ode bit **0**

Table 3. Voltage Monitor Modes

| VM2 | VM1 | VM0 | Function |
|-----|-----|-----|---|
| 1 | 1 | 1 | Disable voltage monitor |
| 1 | 1 | 0 | External (VIM input), internal reference threshold (1.3 V), interrupt with negative slope |
| 1 | 0 | 1 | Not allowed |
| 1 | 0 | 0 | External (VMI input), internal reference threshold (1.3 V), interrupt with positive slope |
| 0 | 1 | 1 | Internal (supply voltage), high threshold (3.0 V), interrupt with negative slope |
| 0 | 1 | 0 | Internal (supply voltage), middle threshold (2.6 V), interrupt with negative slope |
| 0 | 0 | 1 | Internal (supply voltage), low threshold (2.2 V), interrupt with negative slope |
| 0 | 0 | 0 | Not allowed |

VIM **V**oltage **I**nterrupt **M**ask bit
 VIM = 0, voltage monitor interrupt is enabled
 VIM = 1, voltage monitor interrupt is disabled

VMS **V**oltage **M**onitor **S**tatus bit
 VMS = 0, the voltage at the comparator input is below V_{Ref}
 VMS = 1, the voltage at the comparator input is above V_{Ref}

Figure 18. Internal Supply Voltage Supervisor

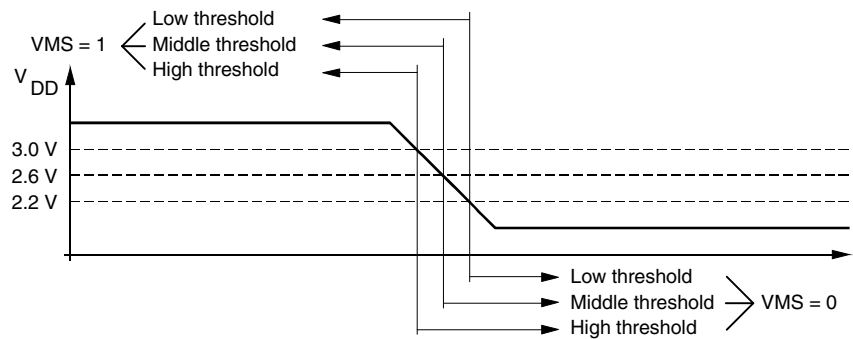
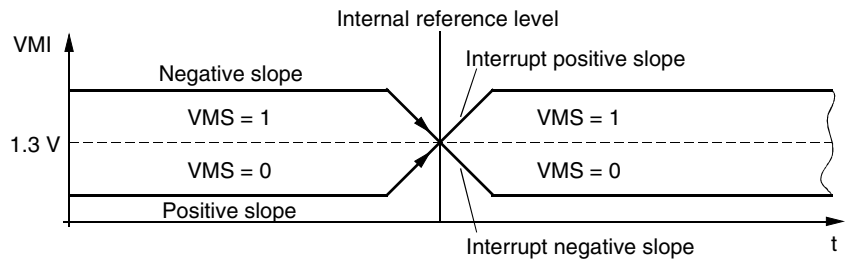


Figure 19. External Input Voltage Supervisor



Clock Generation

Clock Module

The T48C862-R4 contains a clock module with 4 different internal oscillator types: two RC-oscillators, one 4-MHz crystal oscillator and one 32-kHz crystal oscillator. The pins OSC1 and OSC2 are the interface to connect a crystal either to the 4-MHz, or to the 32-kHz crystal oscillator. OSC1 can be used as input for external clocks or to connect an external trimming resistor for the RC-oscillator 2. All necessary circuitry, except the crystal and the trimming resistor, is integrated on-chip. One of these oscillator types or an external input clock can be selected to generate the system clock (SYSCL).

In applications that do not require exact timing, it is possible to use the fully integrated RC-oscillator 1 without any external components. The RC-oscillator 1 center frequency tolerance is better than $\pm 50\%$. The RC-oscillator 2 is a trimmable oscillator whereby the oscillator frequency can be trimmed with an external resistor attached between OSC1 and V_{DD} . In this configuration, the RC-oscillator 2 frequency can be maintained stable with a tolerance of $\pm 15\%$ over the full operating temperature and voltage range.

The clock module is programmable via software with the clock management register (CM) and the system configuration register (SC). The required oscillator configuration can be selected with the OS1 bit and the OS0 bit in the SC register. A programmable 4-bit divider stage allows the adjustment of the system clock speed. A special feature of the clock management is that an external oscillator may be used and switched on and off via a port pin for the power-down mode. Before the external clock is switched off, the internal RC-oscillator 1 must be selected with the CCS bit and then the SLEEP mode may be activated. In this state an interrupt can wake up the controller with the RC-oscillator, and the external oscillator can be activated and selected by software. A synchronization stage avoids too short clock periods if the clock source or the clock speed is changed. If an external input clock is selected, a supervisor circuit monitors the external input and generates a hardware reset if the external clock source fails or drops below 500 kHz for more than 1 ms.

Figure 20. Clock Module

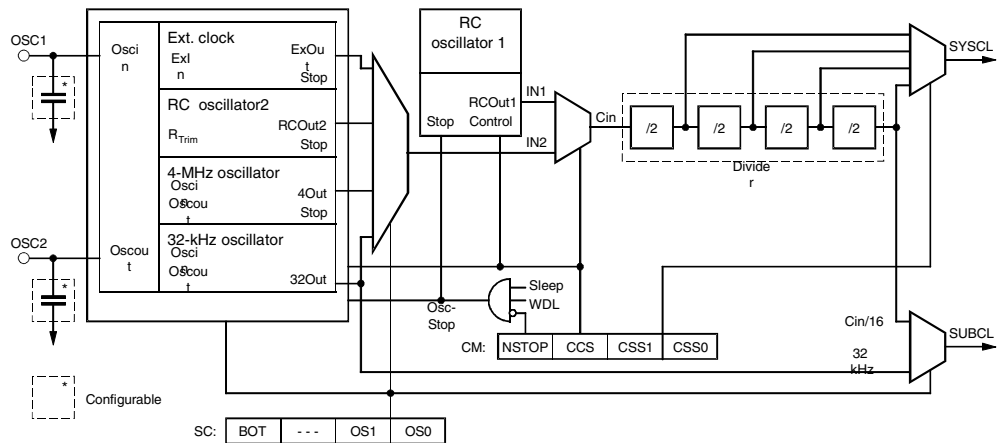


Table 4. Clock Modes

| Mode | OS1 | OS0 | Clock Source for SYSCL | | Clock Source for SUBCL |
|------|-----|-----|----------------------------|---|------------------------|
| | | | CCS = 1 | CCS = 0 | |
| 1 | 1 | 1 | RC-oscillator 1 (internal) | External input clock | $C_{in}/16$ |
| 2 | 0 | 1 | RC-oscillator 1 (internal) | RC-oscillator 2 with external trimming resistor | $C_{in}/16$ |
| 3 | 1 | 0 | RC-oscillator 1 (internal) | 4-MHz oscillator | $C_{in}/16$ |
| 4 | 0 | 0 | RC-oscillator 1 (internal) | 32-kHz oscillator | 32 kHz |

The clock module generates two output clocks. One is the system clock (SYSCL) and the other the periphery (SUBCL). The SYSCL can supply the core and the peripherals and the SUBCL can supply only the peripherals with clocks. The modes for clock sources are programmable with the OS1 bit and OS0 bit in the SC register and the CCS bit in the CM register.

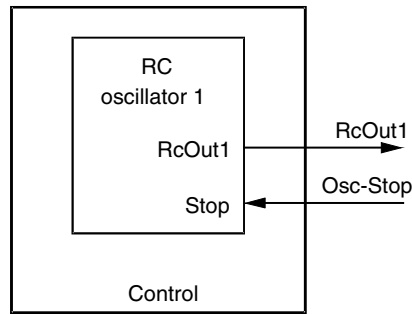
Oscillator Circuits and External Clock Input Stage

RC-oscillator 1 Fully Integrated

The microcontroller block series consists of four different internal oscillators: two RC-oscillators, one 4-MHz crystal oscillator, one 32-kHz crystal oscillator and one external clock input stage.

For timing insensitive applications, it is possible to use the fully integrated RC oscillator 1. It operates without any external components and saves additional costs. The RC-oscillator 1 center frequency tolerance is better than $\pm 50\%$ over the full temperature and voltage range. The basic center frequency of the RC-oscillator 1 is $f_0 \approx 3.8$ MHz. The RC oscillator 1 is selected by default after power-on reset.

Figure 21. RC-oscillator 1



External Input Clock

The OSC1 or OSC2 (mask option) can be driven by an external clock source provided it meets the specified duty cycle, rise and fall times and input levels. Additionally, the external clock stage contains a supervisory circuit for the input clock. The supervisor function is controlled via the OS1, OS0 bit in the SC register and the CCS bit in the CM register. If the external input clock is missing for more than 1 ms and CCS = 0 is set in the CM register, the supervisory circuit generates a hardware reset.

Figure 22. External Input Clock

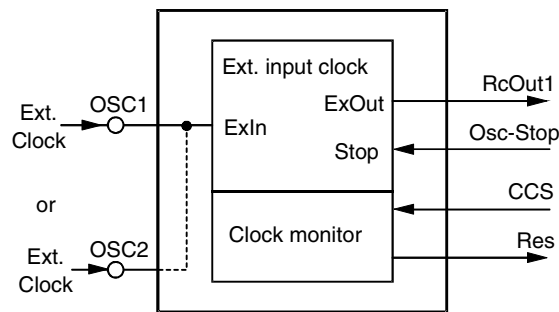


Table 5. Supervisor Function Control Bits

| OS1 | OS0 | CCS | Supervisor Reset Output (Res) |
|-----|-----|-----|-------------------------------|
| 1 | 1 | 0 | Enable |
| 1 | 1 | 1 | Disable |
| x | 0 | x | Disable |

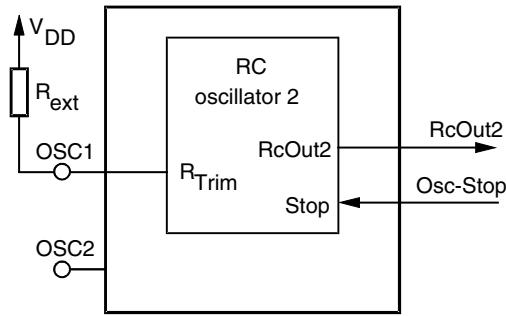
RC-oscillator 2 with External Trimming Resistor

The RC-oscillator 2 is a high resolution trimmable oscillator whereby the oscillator frequency can be trimmed with an external resistor between OSC1 and V_{DD} . In this configuration, the RC-oscillator 2 frequency can be maintained stable with a tolerance of $\pm 10\%$ over the full operating temperature and a voltage range V_{DD} from 2.5 V to 6.0 V.

For example:

An output frequency at the RC-oscillator 2 of 2 MHz can be obtained by connecting a resistor $R_{ext} = 360 \text{ k}\Omega$ (see Figure 23 on page 27).

Figure 23. RC-oscillator 2



4-MHz Oscillator

The microcontroller block 4-MHz oscillator options need a crystal or ceramic resonator connected to the OSC1 and OSC2 pins to establish oscillation. All the necessary oscillator circuitry is integrated, except the actual crystal, resonator, C3 and C4.

Figure 24. 4-MHz Crystal Oscillator

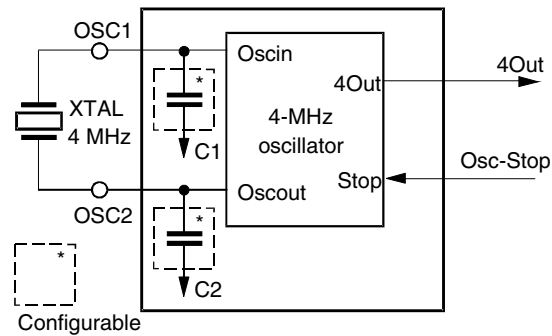
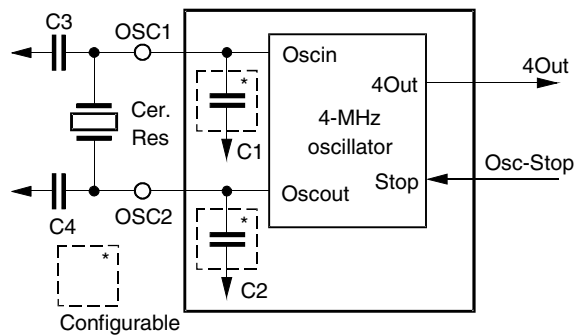


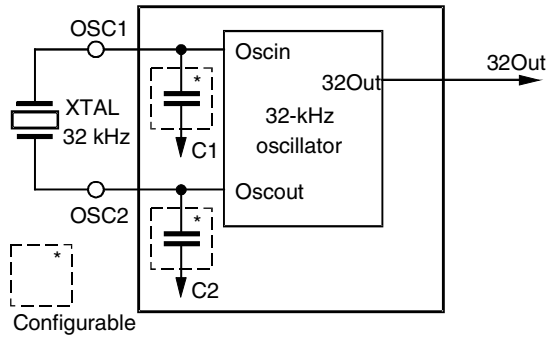
Figure 25. Ceramic Resonator



32-kHz Oscillator

Some applications require long-term time keeping or low resolution timing. In this case, an on-chip, low power 32-kHz crystal oscillator can be used to generate both the SUBCL and the SYSCL. In this mode, power consumption is greatly reduced. The 32-kHz crystal oscillator can not be stopped while the power-down mode is in operation.

Figure 26. 32-kHz Crystal Oscillator



Clock Management

The clock management register controls the system clock divider and synchronization stage. Writing to this register triggers the synchronization cycle.

Clock Management Register (CM)

Auxiliary register address: "3"hex

| | Bit 3 | Bit 2 | Bit 1 | Bit 0 | |
|------------|--------------|------------|-------------|-------------|---------------------------|
| CM: | NSTOP | CCS | CSS1 | CSS0 | Reset value: 1111b |

NSTOP **Not STOP** peripheral clock
 NSTOP = 0, stops the peripheral clock while the core is in SLEEP mode
 NSTOP = 1, enables the peripheral clock while the core is in SLEEP mode

CCS **Core Clock Select**
 CCS = 1, the internal RC-oscillator 1 generates SYSCL
 CCS = 0, the 4-MHz crystal oscillator, the 32-kHz crystal oscillator, an external clock source or the internal RC-oscillator 2 with the external resistor at OSC1 generates SYSCL dependent on the setting of OS0 and OS1 in the system configuration register

CSS1 **Core Speed Select 1**

CSS0 **Core Speed Select 0**

Table 6. Core Speed Select

| CSS1 | CSS0 | Divider | Note |
|------|------|---------|-------------|
| 0 | 0 | 16 | – |
| 1 | 1 | 8 | Reset value |
| 1 | 0 | 4 | – |
| 0 | 1 | 2 | – |

System Configuration Register (SC)

Primary register address: "3"hex

| | | | | | |
|------------------|------------|-------|------------|------------|---------------------------|
| | Bit 3 | Bit 2 | Bit 1 | Bit 0 | |
| SC: write | BOT | – | OS1 | OS0 | Reset value: 1x11b |

- BOT** **Brown-Out Threshold**
 BOT = 1, low brown-out voltage threshold (1.7 V)
 BOT = 0, high brown-out voltage threshold (2.0 V)
- OS1** **Oscillator Select 1**
- OS0** **Oscillator Select 0**

Table 7. Oscillator Select

| Mode | OS1 | OS0 | Input for SUBCL | Selected Oscillators |
|------|-----|-----|---------------------|---|
| 1 | 1 | 1 | C _{in} /16 | RC-oscillator 1 and external input clock |
| 2 | 0 | 1 | C _{in} /16 | RC-oscillator 1 and RC-oscillator 2 |
| 3 | 1 | 0 | C _{in} /16 | RC-oscillator 1 and 4-MHz crystal oscillator |
| 4 | 0 | 0 | 32 kHz | RC-oscillator 1 and 32-kHz crystal oscillator |

Note: If bit CCS = 0 in the CM register the RC-oscillator 1 always stops.

Power-down Modes

The sleep mode is a shut-down condition which is used to reduce the average system power consumption in applications where the microcontroller is not fully utilized. In this mode, the system clock is stopped. The sleep mode is entered via the SLEEP instruction. This instruction sets the interrupt enable bit (I) in the condition code register to enable all interrupts and stops the core. During the sleep mode the peripheral modules remain active and are able to generate interrupts. The microcontroller exits the sleep mode by carrying out any interrupt or a reset.

The sleep mode can only be kept when none of the interrupt pending or active register bits are set. The application of the \$AUTOSLEEP routine ensures the correct function of the sleep mode. For standard applications use the \$AUTOSLEEP routine to enter the power-down mode. Using the SLEEP instruction instead of the \$AUTOSLEEP following an I/O instruction requires to insert 3 non-I/O instruction cycles (for example NOP NOP NOP) between the IN or OUT command and the SLEEP command.

The total power consumption is directly proportional to the active time of the microcontroller. For a rough estimation of the expected average system current consumption, the following formula should be used:

$$I_{\text{total}}(V_{\text{DD}}, f_{\text{syscl}}) = I_{\text{Sleep}} + (I_{\text{DD}} \times t_{\text{active}}/t_{\text{total}})$$

I_{DD} depends on V_{DD} and f_{syscl}

The microcontroller block has various power-down modes. During the sleep mode the clock for the microcontroller block core is stopped. With the NSTOP bit in the clock management register (CM), it is programmable if the clock for the on-chip peripherals is active or stopped during the sleep mode. If the clock for the core and the peripherals is stopped, the selected oscillator is switched off. An exception is the 32-kHz oscillator, if it is selected it runs continuously independent of the NSTOP bit. If the oscillator is stopped or the 32-kHz oscillator is selected, power consumption is extremely low.

Table 8. Power-down Modes

| Mode | CPU Core | Osc-Stop ⁽¹⁾ | Brown-out Function | RC-oscillator 1 RC-oscillator 2 4-MHz Oscillator | 32-kHz Oscillator | External Input Clock |
|------------|----------|-------------------------|--------------------|--|-------------------|----------------------|
| Active | RUN | NO | Active | RUN | RUN | YES |
| Power-down | SLEEP | NO | Active | RUN | RUN | YES |
| SLEEP | SLEEP | YES | STOP | STOP | RUN | STOP |

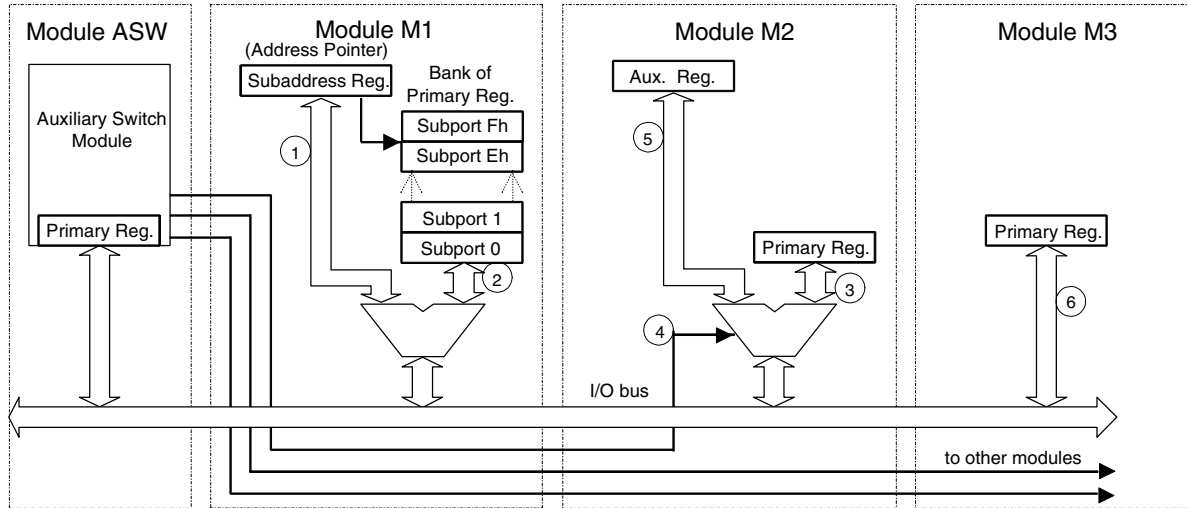
Note: 1. Osc-Stop = SLEEP and NSTOP and WDL

Peripheral Modules

Addressing Peripherals

Accessing the peripheral modules takes place via the I/O bus (see Figure 27 on page 31). The IN or OUT instructions allow direct addressing of up to 16 I/O modules. A dual register addressing scheme has been adopted to enable direct addressing of the primary register. To address the auxiliary register, the access must be switched with an auxiliary switching module. Thus, a single IN (or OUT) to the module address will read (or write into) the module primary register. Accessing the auxiliary register is performed with the same instruction preceded by writing the module address into the auxiliary switching module. Byte wide registers are accessed by multiple IN- (or OUT-) instructions. For more complex peripheral modules, with a larger number of registers, extended addressing is used. In this case, a bank of up to 16 subport registers are indirectly addressed with the subport address. The first OUT instruction writes the subport address to the sub address register, the second IN or OUT instruction reads data from or writes data to the addressed subport.

Figure 27. Example of I/O Addressing



| | Indirect Subport Access | Dual Register Access | Single Register Access |
|---|-------------------------------|---------------------------------|---------------------------|
| | (Subport Register Write) | (Primary Register Write) | (Primary Register Write) |
| ① | Addr. (SPort) Addr. (M1) OUT | ③ Prim_Data Addr. (M2) OUT | ⑥ Prim_Data Addr.(M3) OUT |
| ② | SPort_Data Addr. (M1) OUT | (Auxiliary Register Write) | (Primary Register Read) |
| | (Subport Register Read) | ④ Addr. (M2) Addr. (ASW) OUT | ⑥ Addr. (M3) IN |
| ① | Addr. (SPort) Addr. (M1) OUT | ⑤ Aux_Data Addr. (M2) OUT | |
| ② | Addr. (M1) IN | (Primary Register Read) | |
| | (Subport Register Write Byte) | ③ Addr. (M2) IN | |
| ① | Addr. (SPort) Addr. (M1) OUT | (Auxiliary Register Read) | |
| ② | SPort_Data(lo) Addr. (M1) OUT | ④ Addr. (M2) Addr. (ASW) OUT | |
| ② | SPort_Data(hi) Addr. (M1) OUT | ⑤ Addr. (M2) IN | |
| | (Subport Register Read Byte) | (Auxiliary Register Write Byte) | |
| ① | Addr. (SPort) Addr. (M1) OUT | ④ Addr. (M2) Addr. (ASW) OUT | |
| ② | Addr. (M1) IN (hi) | ⑤ Aux_Data (lo) Addr. (M2) OUT | |
| ② | Addr. (M1) IN (lo) | ⑤ Aux_Data (hi) Addr. (M2) OUT | |

Addr.(ASW) = Auxiliary Switch Module address
 Addr.(Mx) = Module Mx address
 Addr.(SPort) = Subport address
 Prim_Data = Data to be written into Primary Register
 Aux_Data = Data to be written into Auxiliary Register
 Prim_Data(lo) = Data to be written into Auxiliary Register (low nibble)
 Prim_Data(hi) = Data to be written into Auxiliary Register (high nibble)
 SPort_Data(lo) = Data to be written into SubPort (low nibble)
 SPort_Data(hi) = Data to be written into SubPort (high nibble)
 (lo) = SPort_Data (low nibble)
 (hi) = SPort_Data (high nibble)

Table 9. Peripheral Addresses

| Port Address | Name | Write/Read | Reset Value | Register Function | Module Type | |
|--------------|-------------------|------------|-------------|--|-----------------------------------|----|
| 1 | P1DAT | W/R | 1xx1b | Port 1 - data register/input data | M3 | |
| 2 | P2DAT | W/R | 1111b | Port 2 - data register/pin data | M2 | |
| | Auxiliary P2CR | W | 1111b | Port 2 - control register | | |
| 3 | SC | W | 1x11b | System configuration register | M3 | |
| | CWD | R | xxxxb | Watchdog reset | M3 | |
| | Auxiliary CM | W | 1111b | Clock management register | M2 | |
| 4 | P4DAT | W/R | 1111b | Port 4 - data register/pin data | M2 | |
| | Auxiliary P4CR | W | 1111 1111b | Port 4 - control register (byte) | | |
| 5 | P5DAT | W/R | 1111b | Port 5 - data register/pin data | M2 | |
| | Auxiliary P5CR | W | 1111 1111b | Port 5 - control register (byte) | | |
| 6 | P6DAT | W/R | 1xx1b | Port 6 - data register/pin data | M2 | |
| | Auxiliary P6CR | W | 1111b | Port 6 - control register (byte) | | |
| 7 | T12SUB | W | – | Data to Timer 1/2 support | M1 | |
| | Subport address | | | | | |
| | 0 | T2C | W | 0000b | Timer 2 control register | M1 |
| | 1 | T2M1 | W | 1111b | Timer 2 mode register 1 | M1 |
| | 2 | T2M2 | W | 1111b | Timer 2 mode register 2 | M1 |
| | 3 | T2CM | W | 0000b | Timer 2 compare mode register | M1 |
| | 4 | T2CO1 | W | 1111b | Timer 2 compare register 1 | M1 |
| | 5 | T2CO2 | W | 1111 1111b | Timer 2 compare register 2 (byte) | M1 |
| | 6 | – | – | – | Reserved | |
| | 7 | – | – | – | Reserved | |
| | 8 | T1C1 | W | 1111b | Timer 1 control register 1 | M1 |
| | 9 | T1C2 | W | x111b | Timer 1 control register 2 | M1 |
| | A | WDC | W | 1111b | Watchdog control register | M1 |
| | B-F | | | | Reserved | |
| 8 | ASW | W | 1111b | Auxiliary/switch register | ASW | |
| 9 | STB | W | xxxx xxxxb | Serial transmit buffer (byte) | M2 | |
| | SRB | R | xxxx xxxxb | Serial receive buffer (byte) | | |
| | Auxiliary SIC1 | W | 1111b | Serial interface control register 1 | | |
| A | SISC | W/R | 1x11b | Serial interface status/control register | M2 | |
| | Auxiliary SIC2 | W | 1111b | Serial interface control register 2 | | |
| B | T3SUB | W/R | – | Data to/from Timer 3 support | M1 | |
| | Subport address | | | | | |
| | 0 | T3M | W | 1111b | Timer 3 mode register | M1 |
| | 1 | T3CS | W | 1111b | Timer 3 clock select register | M1 |
| | 2 | T3CM1 | W | 0000b | Timer 3 compare mode register 1 | M1 |
| | 3 | T3CM2 | W | 0000b | Timer 3 compare mode register 2 | M1 |
| | 4 | T3CO1 | W | 1111 1111b | Timer 3 compare register 1 (byte) | M1 |
| | 4 | T3CP | R | xxxx xxxxb | Timer 3 capture register (byte) | M1 |
| | 5 | T3CO2 | W | 1111 1111b | Timer 3 compare register 2 (byte) | M1 |
| | 6 | | W | 1111b | Reserved | |
| | 7-F | | | – | Reserved | |
| | C | T3C | W | 0000b | Timer 3 control register | M3 |
| | | T3ST | R | x000b | Timer 3 status register | M3 |
| | D, E | – | | – | Reserved | |
| F | VMC | W | 1111b | Voltage monitor control register | M3 | |
| | VMST | R | xx11b | Voltage monitor status register | M3 | |

Bi-directional Ports

With the exception of Port 1 and Port 6, all other ports (2, 4 and 5) are 4 bits wide. Port 1 and Port 6 have a data width of 2 bits (bit 0 and bit 3). All ports may be used for data input or output. All ports are equipped with Schmitt trigger inputs and a variety of mask options for open-drain, open-source, full-complementary outputs, pull-up and pull-down transistors. All Port Data Registers (PxDAT) are I/O mapped to the primary address register of the respective port address and the Port Control Register (PxCR), to the corresponding auxiliary register.

There are five different directional ports available:

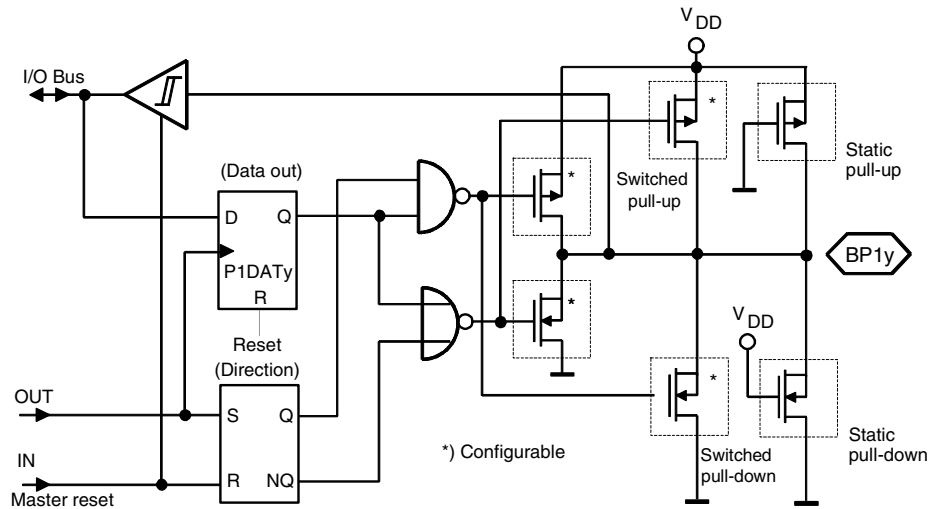
- Port 1 2-bit wide bi-directional port with automatic full bus width direction switching.
- Port 2 4-bit wide bitwise-programmable I/O port.
- Port 5 4-bit wide bitwise-programmable bi-directional port with optional strong pull-ups and programmable interrupt logic.
- Port 4 4-bit wide bitwise-programmable bi-directional port also provides the I/O interface to Timer 2, SSI, voltage monitor input and external interrupt input.
- Port 6 2-bit wide bitwise-programmable bi-directional port also provides the I/O interface to Timer 3 and external interrupt input.

Bi-directional Port 1

In Port 1 the data direction register is not independently software programmable, the direction of the complete port being switched automatically when an I/O instruction occurs (see Figure 28 on page 34). The port is switched to output mode via an OUT instruction and to input via an IN instruction. The data written to a port will be stored into the output data latches and appears immediately at the port pin following the OUT instruction. After RESET all output latches are set to "1" and the port is switched to input mode. An IN instruction reads the condition of the associated pins.

Note: Care must be taken when switching the bi-directional port from output to input. The capacitive pin loading at this port in conjunction with the high resistance pull-ups may cause the CPU to read the contents of the output data register rather than the external input state. To avoid this, one of the following programming techniques should be used:
Use two IN instructions and DROP the first data nibble. The first IN switches the port from output to input and the DROP removes the first invalid nibble. The second IN reads the valid pin state.
Use an OUT instruction followed by an IN instruction. Via the OUT instruction, the capacitive load is charged or discharged depending on the optional pull-up/pull-down configuration. Write a "1" for pins with pull-up resistors and a "0" for pins with pull-down resistors.

Figure 28. Bi-directional Port 1



Bi-directional Port 2

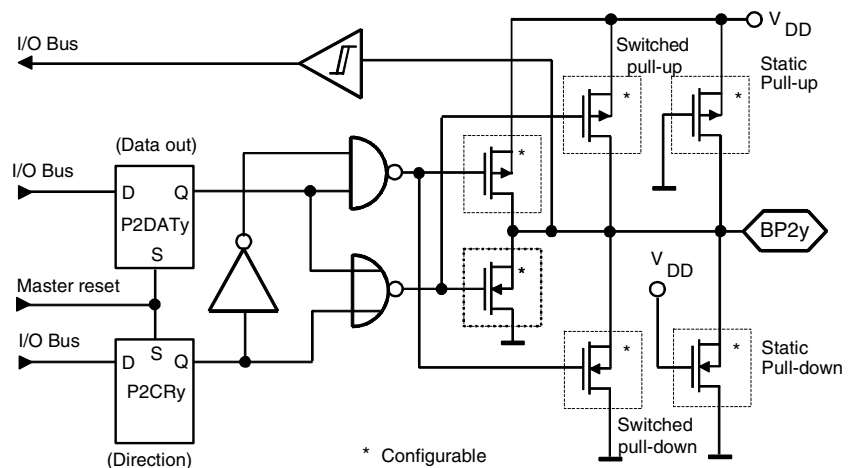
As all other bi-directional ports, this port includes a bitwise programmable Control Register (P2CR), which enables the individual programming of each port bit as input or output. It also opens up the possibility of reading the pin condition when in output mode. This is a useful feature for self testing and for serial bus applications.

Port 2, however, has an increased drive capability and an additional low resistance pull-up/pull-down transistor mask option.

are should be taken connecting external components to BP20/NTE. During any reset phase, the BP20/NTE input is driven towards V_{DD} by an additional internal strong pull-up transistor. This pin must not be pulled down (active or passive) to V_{SS} during reset by any external circuitry representing a resistor of less than 150 k Ω . This prevents the circuit from unintended switching to test mode enable through the application circuitry at pin BP20/NTE. Resistors less than 150 k Ω might lead to an undefined state of the internal test logic thus disabling the application firmware.

To avoid any conflict with the optional internal pull-down transistors, BP20 handles the pull-down options in a different way than all other ports. BP20 is the only port that switches off the pull-down transistors during reset.

Figure 29. Bi-directional Port 2



Port 2 Data Register (P2DAT)

Primary register address: "2"hex

| | | | |
|---------------|---------------|---------------|---------------|
| Bit 3 * | Bit 2 | Bit 1 | Bit 0 |
| P2DAT3 | P2DAT2 | P2DAT1 | P2DAT0 |

Reset value: 1111b

* Bit 3 -> MSB, Bit 0 -> LSB

Port 2 Control Register (P2CR)

Auxiliary register address: "2"hex

| | | | |
|--------------|--------------|--------------|--------------|
| Bit 3 | Bit 2 | Bit 1 | Bit 0 |
| P2CR3 | P2CR2 | P2CR1 | P2CR0 |

Reset value: 1111b

Value: 1111b means all pins in input mode

Table 10. Port 2 Control Register

| Code 3 2 1 0 | Function |
|-----------------|---------------------|
| x x x 1 | BP20 in input mode |
| x x x 0 | BP20 in output mode |
| x x 1 x | BP21 in input mode |
| x x 0 x | BP21 in output mode |
| x 1 x x | BP22 in input mode |
| x 0 x x | BP22 in output mode |
| 1 x x x | BP23 in input mode |
| 0 x x x | BP23 in output mode |

Bi-directional Port 5

As all other bi-directional ports, this port includes a bitwise programmable Control Register (P5CR), which allows the individual programming of each port bit as input or output. It also opens up the possibility of reading the pin condition when in output mode. This is a useful feature for self testing and for serial bus applications.

The port pins can also be used as external interrupt inputs (see Figure 30 on page 36 and Figure 31 on page 36). The interrupts (INT1 and INT6) can be masked or independently configured to trigger on either edge. The interrupt configuration and port direction is controlled by the Port 5 Control Register (P5CR). An additional low resistance pull-up/pull-down transistor mask option provides an internal bus pull-up for serial bus applications.

The Port 5 Data Register (P5DAT) is I/O mapped to the primary address register of address "5"hex and the Port 5 Control Register (P5CR) to the corresponding auxiliary register. The P5CR is a byte-wide register and is configured by writing first the low nibble and then the high nibble (see section "Addressing Peripherals" on page 30).

Figure 30. Bi-directional Port 5

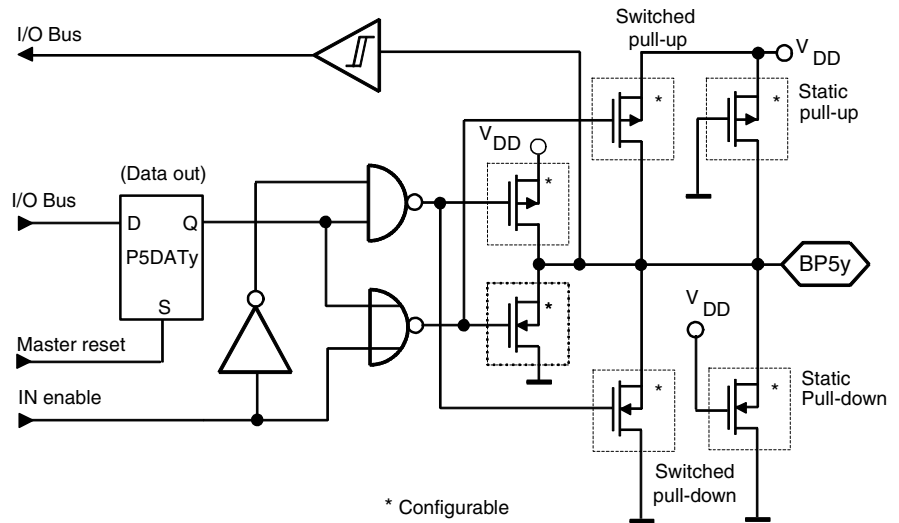
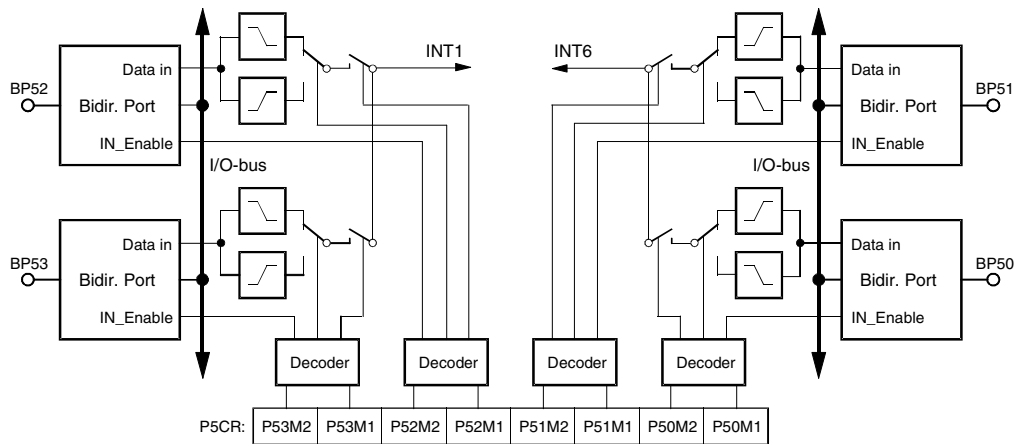


Figure 31. Port 5 External Interrupts



Port 5 Data Register (P5DAT)

Primary register address: "5"hex

| Bit 3 | Bit 2 | Bit 1 | Bit 0 |
|---------------|---------------|---------------|---------------|
| P5DAT3 | P5DAT2 | P5DAT1 | P5DAT0 |

Reset value: 1111b

**Port 5 Control Register (P5CR)
Byte Write**

Auxiliary register address: "5"hex

| | Bit 3 | Bit 2 | Bit 1 | Bit 0 | |
|---------------------------|--------------|--------------|--------------|--------------|---------------------------|
| First write cycle | P51M2 | P51M1 | P50M2 | P50M1 | Reset value: 1111b |
| | Bit 7 | Bit 6 | Bit 5 | Bit 4 | |
| Second write cycle | P53M2 | P53M1 | P52M2 | P52M1 | Reset value: 1111b |

P5xM2, P5xM1 – Port 5x Interrupt Mode/Direction Code

Table 11. Port 5 Control Register

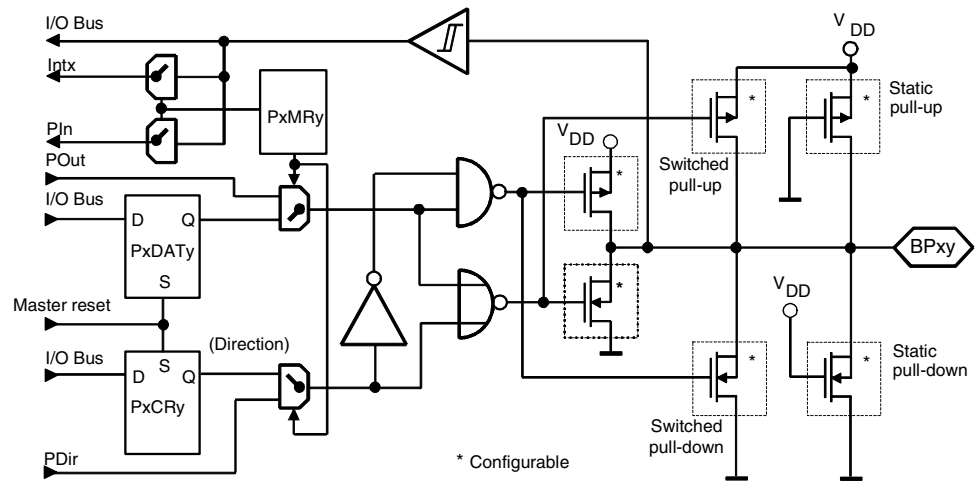
| Auxiliary Address: "5"hex, First Write Cycle | | Second Write Cycle | |
|--|---|--------------------|---|
| Code 3 2 1 0 | Function | Code 3 2 1 0 | Function |
| x x 1 1 | BP50 in input mode – interrupt disabled | x x 1 1 | BP52 in input mode – interrupt disabled |
| x x 0 1 | BP50 in input mode – rising edge interrupt | x x 0 1 | BP52 in input mode – rising edge interrupt |
| x x 1 0 | BP50 in input mode – falling edge interrupt | x x 1 0 | BP52 in input mode – falling edge interrupt |
| x x 0 0 | BP50 in output mode – interrupt disabled | x x 0 0 | BP52 in output mode – interrupt disabled |
| 1 1 x x | BP51 in input mode – interrupt disabled | 1 1 x x | BP53 in input mode – interrupt disabled |
| 0 1 x x | BP51 in input mode – rising edge interrupt | 0 1 x x | BP53 in input mode – rising edge interrupt |
| 1 0 x x | BP51 in input mode – falling edge interrupt | 1 0 x x | BP53 in input mode – falling edge interrupt |
| 0 0 x x | BP51 in output mode – interrupt disabled | 0 0 x x | BP53 in output mode – interrupt disabled |

Bi-directional Port 4

The bi-directional Port 4 is a bitwise configurable I/O port and provides the external pins for the Timer 2, SSI and the voltage monitor input (VMI). As a normal port, it performs in exactly the same way as bi-directional Port 2 (see Figure 32). Two additional multiplexes allow data and port direction control to be passed over to other internal modules (Timer 2, VM or SSI). The I/O-pins for SC and SD line have an additional mode to generate an SSI-interrupt.

All four Port 4 pins can be individually switched by the P4CR register. Figure 32 shows the internal interfaces to bi-directional Port 4.

Figure 32. Bi-directional Port 4 and Port 6





Port 4 Data Register (P4DAT)

Primary register address: "4"hex

| | | | |
|---------------|---------------|---------------|---------------|
| Bit 3 | Bit 2 | Bit 1 | Bit 0 |
| P4DAT3 | P4DAT2 | P4DAT1 | P4DAT0 |

Reset value: 1111b

Port 4 Control Register (P4CR) Byte Write

Auxiliary register address: "4"hex

| | | | | | |
|---------------------------|--------------|--------------|--------------|--------------|---------------------------|
| | Bit 3 | Bit 2 | Bit 1 | Bit 0 | |
| First write cycle | P41M2 | P41M1 | P40M2 | P40M1 | Reset value: 1111b |
| | Bit 7 | Bit 6 | Bit 5 | Bit 4 | |
| Second write cycle | P43M2 | P43M1 | P42M2 | P42M1 | Reset value: 1111b |

P4xM2, P4xM1 – Port 4x Interrupt mode/direction code

Table 12. Port 4 Control Register

| Auxiliary Address: "4"hex First Write Cycle | | Second Write Cycle | |
|--|--|--------------------|--|
| Code 3 2 1 0 | Function | Code 3 2 1 0 | Function |
| x x 1 1 | BP40 in input mode | x x 1 1 | BP42 in input mode |
| x x 1 0 | BP40 in output mode | x x 1 0 | BP42 in output mode |
| x x 0 1 | BP40 enable alternate function (SC for SSI) | x x 0 x | BP42 enable alternate function (T2O for Timer 2) |
| x x 0 0 | BP40 enable alternate function (falling edge interrupt input for INT3) | 1 1 x x | BP43 in input mode |
| 1 1 x x | BP41 in input mode | 1 0 x x | BP43 in output mode |
| 1 0 x x | BP41 in output mode | 0 1 x x | BP43 enable alternate function (SD for SSI) |
| 0 1 x x | BP41 enable alternate function (VMI for voltage monitor input) | 0 0 x x | BP43 enable alternate function (falling edge interrupt input for INT3) |
| 0 0 x x | BP41 enable alternate function (T2I external clock input for Timer 2) | – | – |

Bi-directional Port 6

The bi-directional Port 6 is a bitwise configurable I/O port and provides the external pins for the Timer 3. As a normal port, it performs in exactly the same way as bi-directional Port 6 (see Figure 32 on page 37). Two additional multiplexes allow data and port direction control to be passed over to other internal module (Timer 3). The I/O pin for T3I line has an additional mode to generate a Timer 3 interrupt.

All two Port 6 pins can be individually switched by the P6CR register. Figure 32 on page 37 shows the internal interfaces to bi-directional Port 6.

Port 6 Data Register (P6DAT)

Primary register address: "6"hex

| Bit 3 | Bit 2 | Bit 1 | Bit 0 |
|--------|-------|-------|--------|
| P6DAT3 | – | – | P6DAT0 |

Reset value: 1xx1b

Port 6 Control Register (P6CR)

Auxiliary register address: "6"hex

| Bit 3 | Bit 2 | Bit 1 | Bit 0 |
|-------|-------|-------|-------|
| P63M2 | P63M1 | P60M2 | P60M0 |

Reset value: 1111b

P6xM2, P6xM1 – Port 6x Interrupt mode/direction code

Table 13. Port 6 Control Register

| Auxiliary Address: "6"hex | | Write Cycle | |
|---------------------------|---|-----------------|---|
| Code 3 2 1 0 | Function | Code 3 2 1 0 | Function |
| x x 1 1 | BP60 in input mode | 1 1 x x | BP63 in input mode |
| x x 1 0 | BP60 in output mode | 1 0 x x | BP63 in output mode |
| x x 0 x | BP60 enable alternate port function (T3O for Timer 3) | 0 x x x | BP63 enable alternate port function (T3I for Timer 3) |

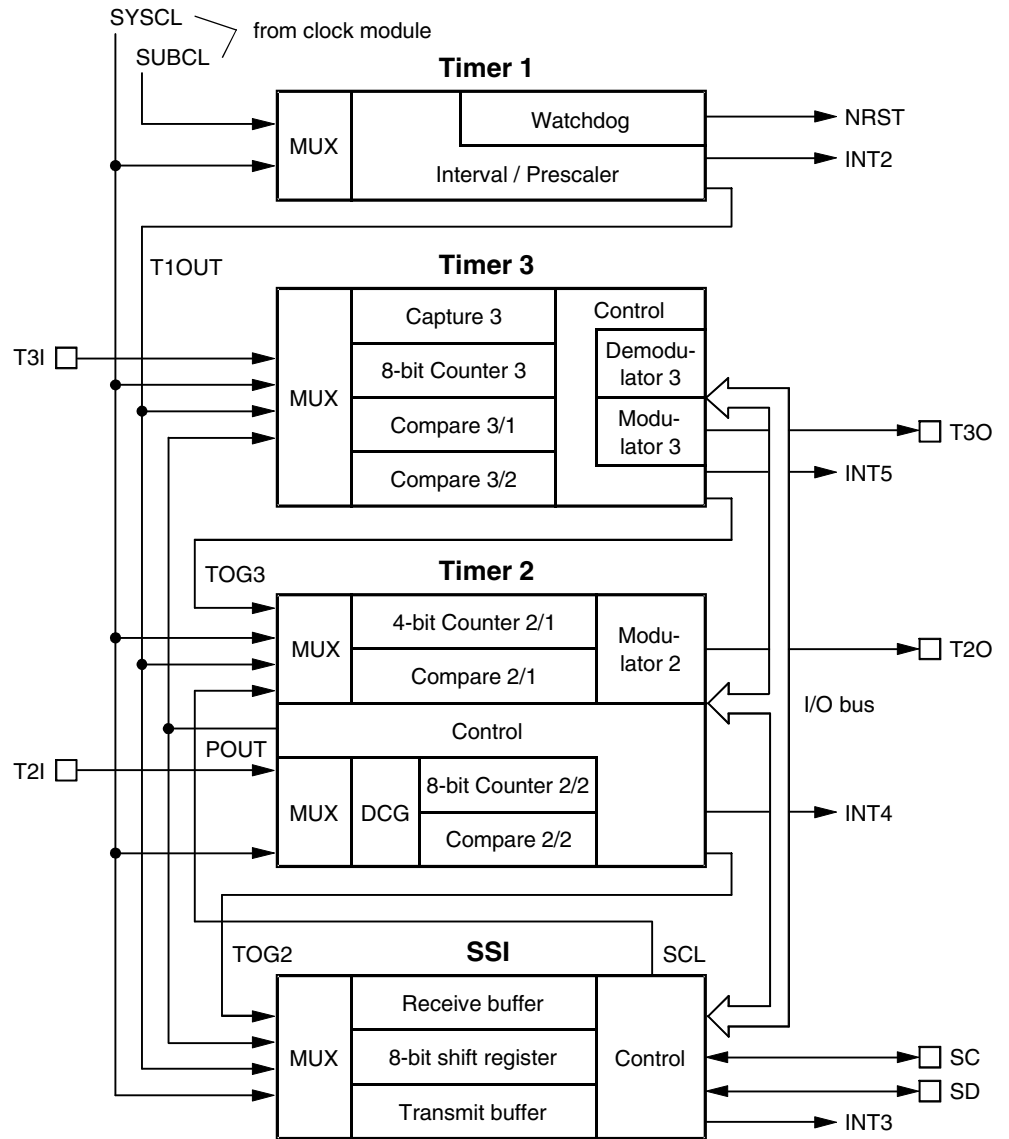
Universal Timer/Counter/Communication Module (UTCM)

The Universal Timer/counter/Communication Module (UTCM) consists of three timers (Timer 1, Timer 2, Timer 3) and a Synchronous Serial Interface (SSI).

- Timer 1 is an interval timer that can be used to generate periodical interrupts and as prescaler for Timer 2, Timer 3, the serial interface and the watchdog function.
- Timer 2 is an 8/12-bit timer with an external clock input (T2I) and an output (T2O).
- Timer 3 is an 8-bit timer/counter with its own input (T3I) and output (T3O).
- The SSI operates as two wire serial interface or as shift register for modulation and demodulation. The modulator and demodulator units work together with the timers and shift the data bits into or out of the shift register.

There is a multitude of modes in which the timers and the serial interface can work together.

Figure 33. UTCM Block Diagram



Timer 1

The Timer 1 is an interval timer which can be used to generate periodical interrupts and as prescaler for Timer 2, Timer 3, the serial interface and the watchdog function.

The Timer 1 consists of a programmable 14-stage divider that is driven by either SUBCL or SYSCL. The timer output signal can be used as prescaler clock or as SUBCL and as source for the Timer 1 interrupt. Because of other system requirements, the Timer 1 output T1OUT is synchronized with SYSCL. Therefore, in the power-down mode SLEEP (CPU core -> sleep and OSC-Stop -> yes), the output T1OUT is stopped (T1OUT = 0). Nevertheless, the Timer 1 can be active in SLEEP and generate Timer 1 interrupts. The interrupt is maskable via the T1IM bit and the SUBCL can be bypassed via the T1BP bit of the T1C2 register. The time interval for the timer output can be programmed via the Timer 1 control register T1C1.

This timer starts running automatically after any power-on reset! If the watchdog function is not activated, the timer can be restarted by writing into the T1C1 register with T1RM = 1.

Timer 1 can also be used as a watchdog timer to prevent a system from stalling. The watchdog timer is a 3-bit counter that is supplied by a separate output of Timer 1. It generates a system reset when the 3-bit counter overflows. To avoid this, the 3-bit counter must be reset before it overflows. The application software has to accomplish this by reading the CWD register.

After power-on reset the watchdog must be activated by software in the \$RESET initialization routine. There are two watchdog modes, in one mode the watchdog can be switched on and off by software, in the other mode the watchdog is active and locked. This mode can only be stopped by carrying out a system reset.

The watchdog timer operation mode and the time interval for the watchdog reset can be programmed via the watchdog control register (WDC).

Figure 34. Timer 1 Module

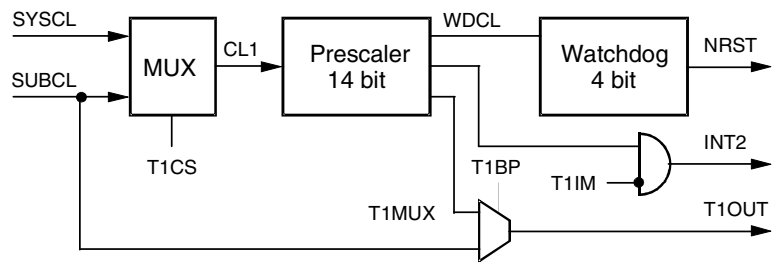
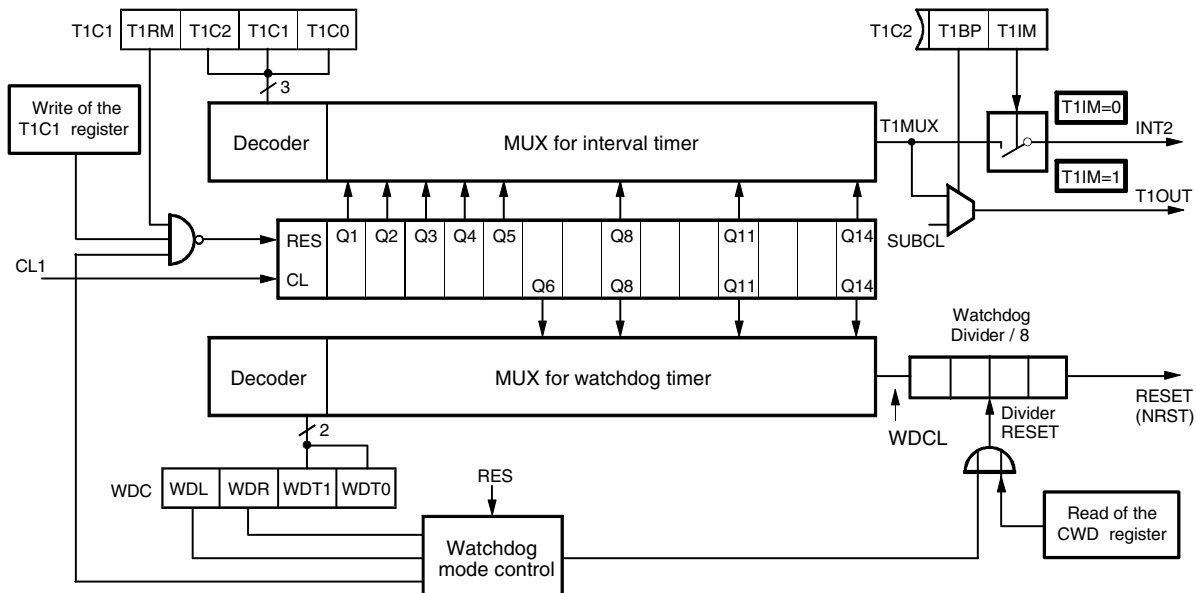


Figure 35. Timer 1 and Watchdog





Timer 1 Control Register 1 (T1C1)

Address: "7"hex - Subaddress: "8"hex

| | | | |
|-------------|-------------|-------------|-------------|
| Bit 3 * | Bit 2 | Bit 1 | Bit 0 |
| T1RM | T1C2 | T1C1 | T1C0 |

Reset value: 1111b

* Bit 3 -> MSB, Bit 0 -> LSB

- T1RM** **Timer 1 Restart Mode** T1RM = 0, write access without Timer 1 restart
T1RM = 1, write access with Timer 1 restart
Note: If WDL = 0, Timer 1 restart is impossible
- T1C2** **Timer 1 Control bit 2**
- T1C1** **Timer 1 Control bit 1**
- T1C0** **Timer 1 Control bit 0**

The three bits T1C[2:0] select the divider for Timer 1. The resulting time interval depends on this divider and the Timer 1 input clock source. The timer input can be supplied by the system clock, the 32-kHz oscillator or via the clock management. If the clock management generates the SUBCL, the selected input clock from the RC oscillator, 4-MHz oscillator or an external clock is divided by 16.

Table 14. Timer 1 Control Bits

| T1C2 | T1C1 | T1C0 | Divider | Time Interval with SUBCL | Time Interval with SUBCL = 32 kHz | Time Interval with SYSCL = 2/1 MHz |
|------|------|------|---------|--------------------------|-----------------------------------|------------------------------------|
| 0 | 0 | 0 | 2 | SUBCL/2 | 61 μs | 1 μs/2 μs |
| 0 | 0 | 1 | 4 | SUBCL/4 | 122 μs | 2 μs/4 μs |
| 0 | 1 | 0 | 8 | SUBCL/8 | 244 μs | 4 μs/8 μs |
| 0 | 1 | 1 | 16 | SUBCL/16 | 488 μs | 8 μs/16 μs |
| 1 | 0 | 0 | 32 | SUBCL/32 | 0.977 ms | 16 μs/32 μs |
| 1 | 0 | 1 | 256 | SUBCL/256 | 7.812 ms | 128 μs/256 μs |
| 1 | 1 | 0 | 2048 | SUBCL/2048 | 62.5 ms | 1024 μs/2048 μs |
| 1 | 1 | 1 | 16384 | SUBCL/16384 | 500 ms | 8192 μs/16384 μs |

Timer 1 Control Register 2 (T1C2)

Address: "7"hex - Subaddress: "9"hex

| Bit 3 * | Bit 2 | Bit 1 | Bit 0 |
|---------|-------------|-------------|-------------|
| - | T1BP | T1CS | T1IM |

Reset value: x111b

* Bit 3 -> MSB, Bit 0 -> LSB

- T1BP** **Timer 1 SUBCL ByPassed**
T1BP = 1, TIOOUT = T1MUX
T1BP = 0, TIOOUT = SUBCL
- T1CS** **Timer 1 input Clock Select**
T1CS = 1, CL1 = SUBCL (see Figure 34 on page 41)
T1CS = 0, CL1 = SYSCL (see Figure 34 on page 41)
- T1IM** **Timer 1 Interrupt Mask**
T1IM = 1, disables Timer 1 interrupt
T1IM = 0, enables Timer 1 interrupt

Watchdog Control Register (WDC)

Address: "7"hex - Subaddress: "A"hex

| Bit 3 * | Bit 2 | Bit 1 | Bit 0 |
|------------|------------|-------------|-------------|
| WDL | WDR | WDT1 | WDT0 |

Reset value: 1111b

* Bit 3 -> MSB, Bit 0 -> LSB

- WDL** **WatchDog Lock mode**
WDL = 1, the watchdog can be enabled and disabled by using the WDR bit
WDL = 0, the watchdog is enabled and locked. In this mode the WDR bit has no effect. After the WDL bit is cleared, the watchdog is active until a system reset or power-on reset occurs.
- WDR** **WatchDog Run and stop mode**
WDR = 1, the watchdog is stopped/disabled
WDR = 0, the watchdog is active/enabled
- WDT1** **WatchDog Time 1**
- WDT0** **WatchDog Time 0**

Both these bits control the time interval for the watchdog reset.

Table 15. Watchdog Time Control Bits

| WDT1 | WDT0 | Divider | Delay Time to Reset with SUBCL = 32 kHz | Delay Time to Reset with SYSCL = 2/1 MHz |
|------|------|---------|---|--|
| 0 | 0 | 512 | 15.625 ms | 0.256 ms/0.512 ms |
| 0 | 1 | 2048 | 62.5 ms | 1.024 ms/2.048 ms |
| 1 | 0 | 16384 | 0.5 s | 8.2 ms/16.4 ms |
| 1 | 1 | 131072 | 4 s | 65.5 ms/131 ms |

Timer 2

8-/12-bit Timer for:

- Interrupt, square-wave, pulse and duty cycle generation
- Baud-rate generation for the internal shift register
- Manchester and Biphase modulation together with the SSI
- Carrier frequency generation and modulation together with the SSI

Timer 2 can be used as an interval timer for interrupt generation, as signal generator or as baud-rate generator and modulator for the serial interface. It consists of a 4-bit and an 8-bit up counter stage which both have compare registers. The 4-bit counter stages of Timer 2 are cascadable as a 12-bit timer or as an 8-bit timer with 4-bit prescaler. The timer can also be configured as an 8-bit timer and a separate 4-bit prescaler.

The Timer 2 input can be supplied via the system clock, the external input clock (T2I), the Timer 1 output clock, the Timer 3 output clock or the shift clock of the serial interface. The external input clock T2I is not synchronized with SYSCL. Therefore, it is possible to use Timer 2 with a higher clock speed than SYSCL. Furthermore, with that input clock the Timer 2 operates in the power-down mode SLEEP (CPU core -> sleep and OSC-Stop -> yes) as well as in the POWER-DOWN (CPU core -> sleep and OSC-Stop -> no). All other clock sources supplied no clock signal in SLEEP. The 4-bit counter stages of Timer 2 have an additional clock output (POUT).

Its output has a modulator stage that allows the generation of pulses as well as the generation and modulation of carrier frequencies. The Timer 2 output can modulate with the shift register data output to generate Biphase- or Manchester code.

If the serial interface is used to modulate a bitstream, the 4-bit stage of Timer 2 has a special task. The shift register can only handle bitstream lengths divisible by 8. For other lengths, the 4-bit counter stage can be used to stop the modulator after the right bit-count is shifted out.

If the timer is used for carrier frequency modulation, the 4-bit stage works together with an additional 2-bit duty cycle generator like a 6-bit prescaler to generate carrier frequency and duty cycle. The 8-bit counter is used to enable and disable the modulator output for a programmable count of pulses.

For programming the time interval, the timer has a 4-bit and an 8-bit compare register. For programming the timer function, it has four mode and control registers. The comparator output of stage 2 is controlled by a special compare mode register (T2CM). This register contains mask bits for the actions (counter reset, output toggle, timer interrupt) which can be triggered by a compare match event or the counter overflow. This architecture enables the timer function for various modes.

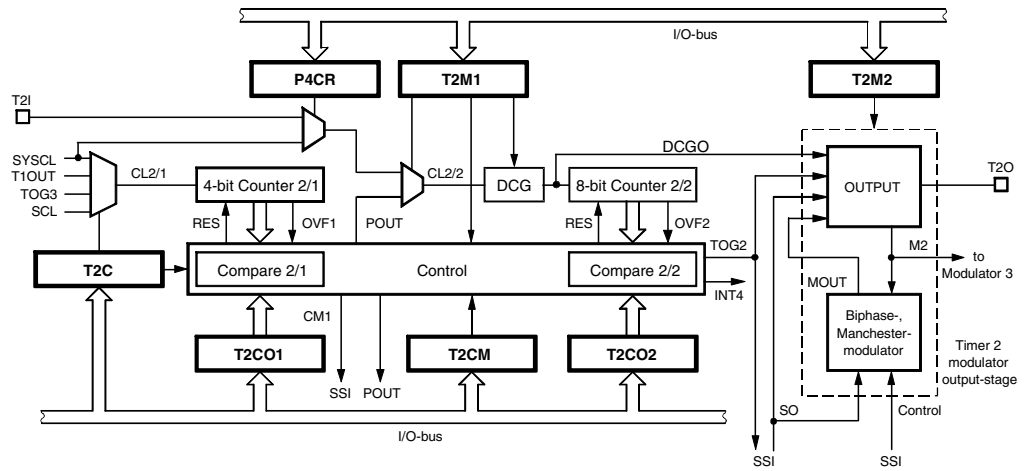
The Timer 2 has a 4-bit compare register (T2CO1) and an 8-bit compare register (T2CO2). Both these compare registers are cascadable as a 12-bit compare register, or 8-bit compare register and 4-bit compare register.

For 12-bit compare data value: $m = x + 1 \quad 0 \leq x \leq 4095$

For 8-bit compare data value: $n = y + 1 \quad 0 \leq y \leq 255$

For 4-bit compare data value: $l = z + 1 \quad 0 \leq z \leq 15$

Figure 36. Timer 2

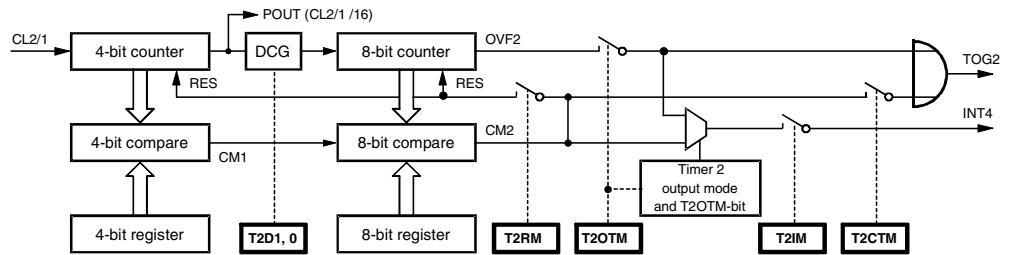


Timer 2 Modes

Mode 1: 12-bit Compare Counter

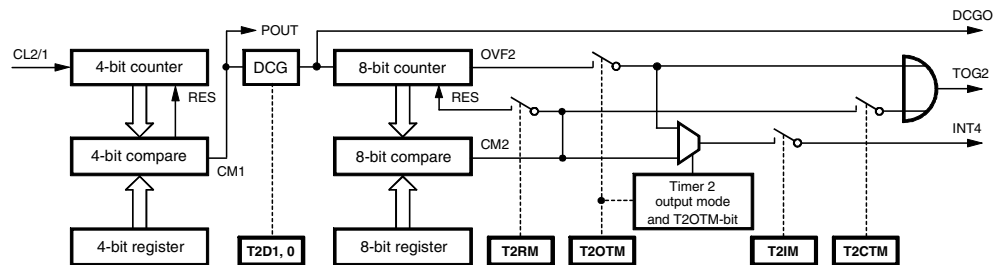
The 4-bit stage and the 8-bit stage work together as a 12-bit compare counter. A compare match signal of the 4-bit and the 8-bit stage generates the signal for the counter reset, toggle flip-flop or interrupt. The compare action is programmable via the compare mode register (T2CM). The 4-bit counter overflow (OVF1) supplies the clock output (POUT) with clocks. The duty cycle generator (DCG) has to be bypassed in this mode.

Figure 37. 12-bit Compare Counter



Mode 2: 8-bit Compare Counter with 4-bit Programmable Prescaler

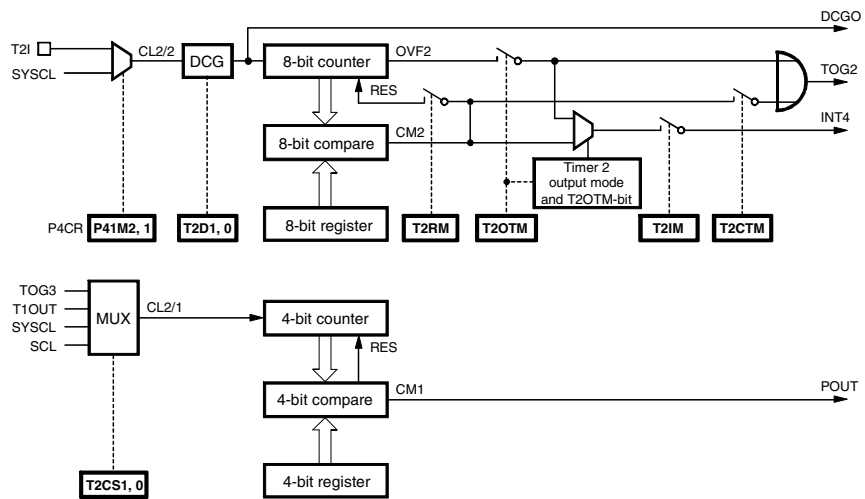
Figure 38. 8-bit Compare Counter



The 4-bit stage is used as programmable prescaler for the 8-bit counter stage. In this mode, a duty cycle stage is also available. This stage can be used as an additional 2-bit prescaler or for generating duty cycles of 25%, 33% and 50%. The 4-bit compare output (CM1) supplies the clock output (POUT) with clocks.

Mode 3/4: 8-bit Compare Counter and 4-bit Programmable Prescaler

Figure 39. 4-/8-bit Compare Counter



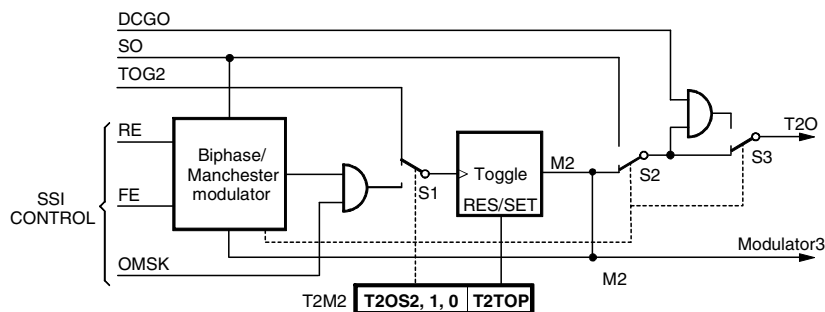
In these modes the 4-bit and the 8-bit counter stages work independently as a 4-bit prescaler and an 8-bit timer with an 2-bit prescaler or as a duty cycle generator. Only in the mode 3 and mode 4, can the 8-bit counter be supplied via the external clock input (T2I) which is selected via the P4CR register. The 4-bit prescaler is started via activating of mode 3 and stopped and reset in mode 4. Changing mode 3 and 4 has no effect for the 8-bit timer stage. The 4-bit stage can be used as prescaler for Timer 3, the SSI or to generate the stop signal for modulator 2 and modulator 3.

Timer 2 Output Modes

The signal at the timer output is generated via modulator 2. In the toggle mode, the compare match event toggles the output T2O. For high resolution duty cycle modulation 8 bits or 12 bits can be used to toggle the output. In the duty cycle burst modulator modes the DCG output is connected to T2O and switched on and off either by the toggle flip-flop output or the serial data line of the SSI. Modulator 2 also has two modes to output the content of the serial interface as Biphase or Manchester code.

The modulator output stage can be configured by the output control bits in the T2M2 register. The modulator is started with the start of the shift register (SIR = 0) and stopped either by carrying out a shift register stop (SIR = 1) or compare match event of stage 1 (CM1) of Timer 2. For this task, Timer 2 mode 3 must be used and the prescaler has to be supplied with the internal shift clock (SCL).

Figure 40. Timer 2 Modulator Output Stage

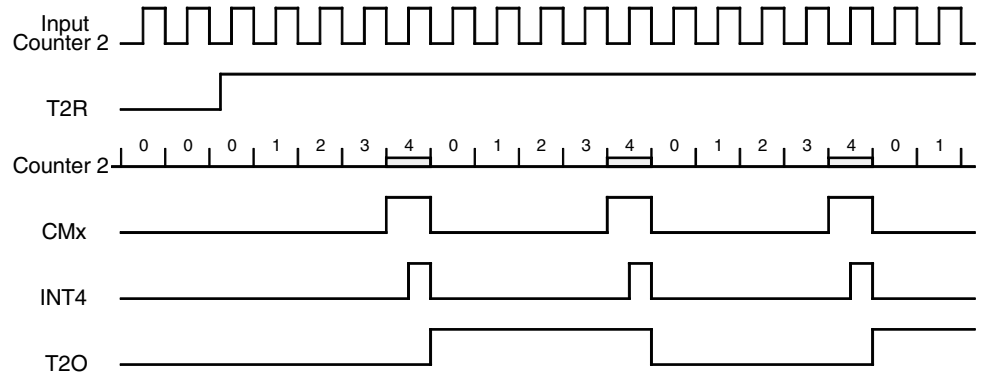


Timer 2 Output Signals

Timer 2 Output Mode 1

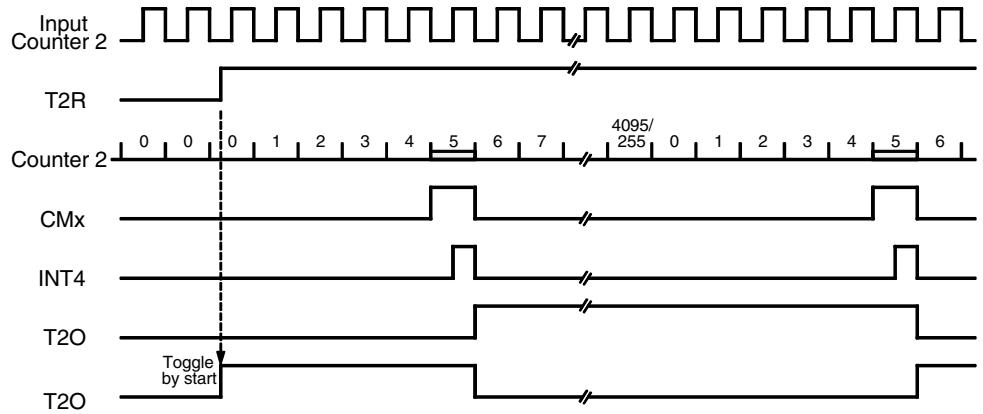
Toggle Mode A: A Timer 2 compare match toggles the output flip-flop (M2) -> T2O

Figure 41. Interrupt Timer/Square Wave Generator – the Output Toggles with Each Edge Compare Match Event



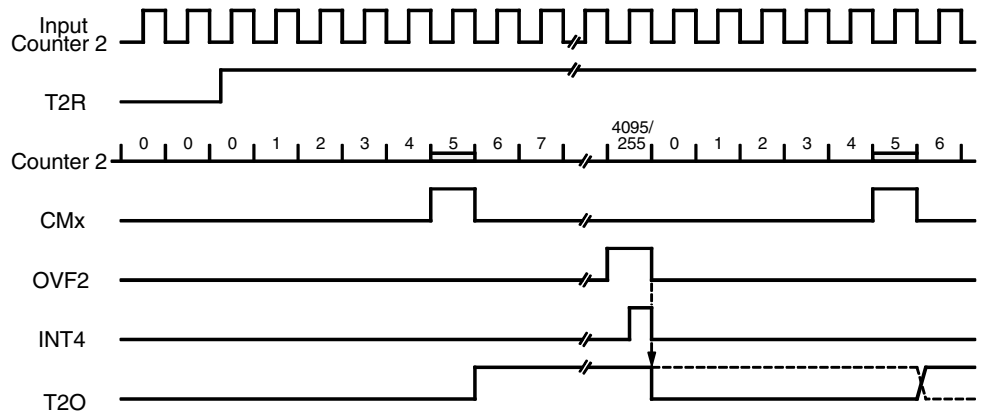
Toggle Mode B: A Timer 2 compare match toggles the output flip-flop (M2) -> T2O

Figure 42. Pulse Generator – the Timer Output Toggles with the Timer Start if the T2TS bit Is Set



Toggle Mode C: A Timer 2 compare match toggles the output flip-flop (M2) -> T2O

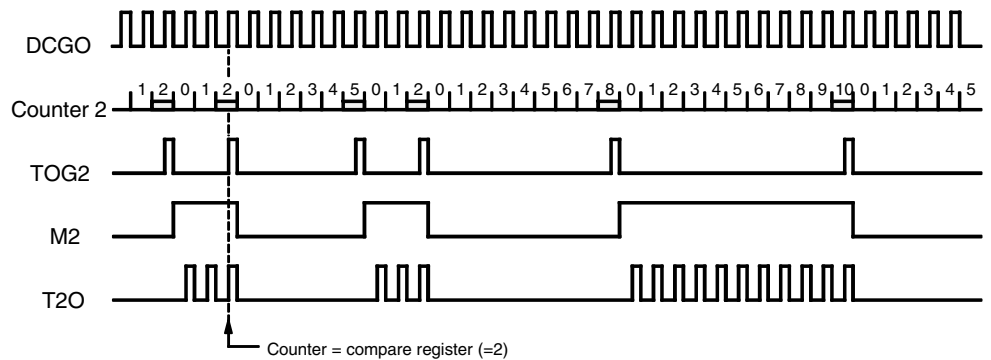
Figure 43. Pulse Generator – the Timer Toggles with Timer Overflow and Compare Match



Timer 2 Output Mode 2

Duty Cycle Burst Generator 1: The DCG output signal (DCGO) is given to the output, and gated by the output flip-flop (M2)

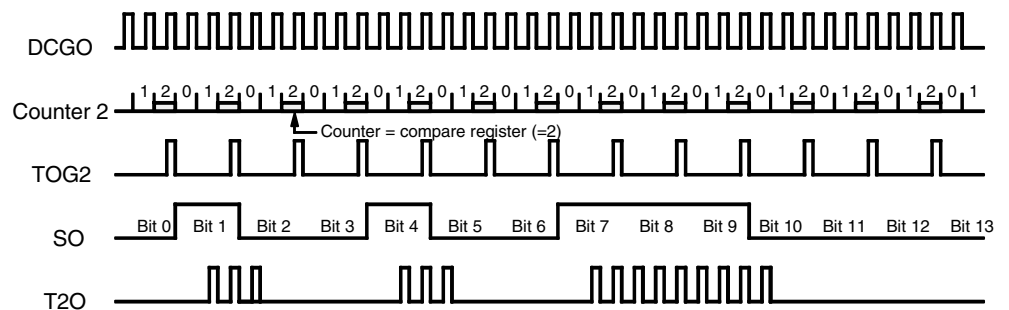
Figure 44. Carrier Frequency Burst Modulation with Timer 2 Toggle Flip-flop Output



Timer 2 Output Mode 3

Duty Cycle Burst Generator 2: The DCG output signal (DCGO) is given to the output, and gated by the SSI internal data output (SO)

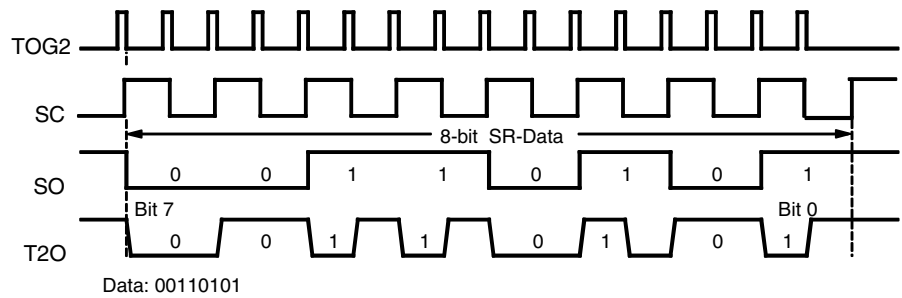
Figure 45. Carrier Frequency Burst Modulation with the SSI Data Output



Timer 2 Output Mode 4

Biphase Modulator: Timer 2 modulates the SSI internal data output (SO) to Biphase code

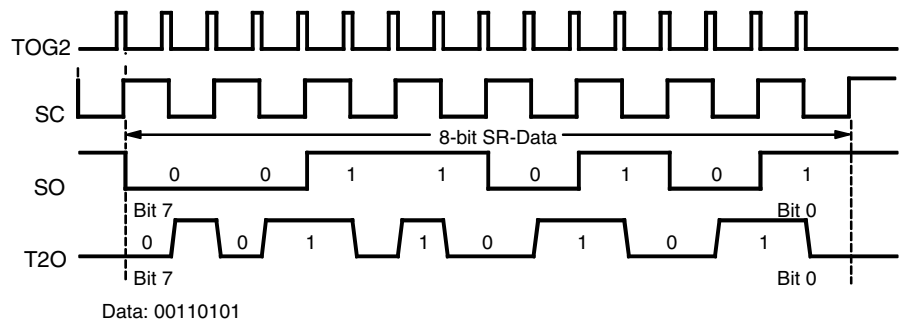
Figure 46. Biphase Modulation



Timer 2 Output Mode 5

Manchester Modulator: Timer 2 modulates the SSI internal data output (SO) to Manchester code

Figure 47. Manchester Modulation

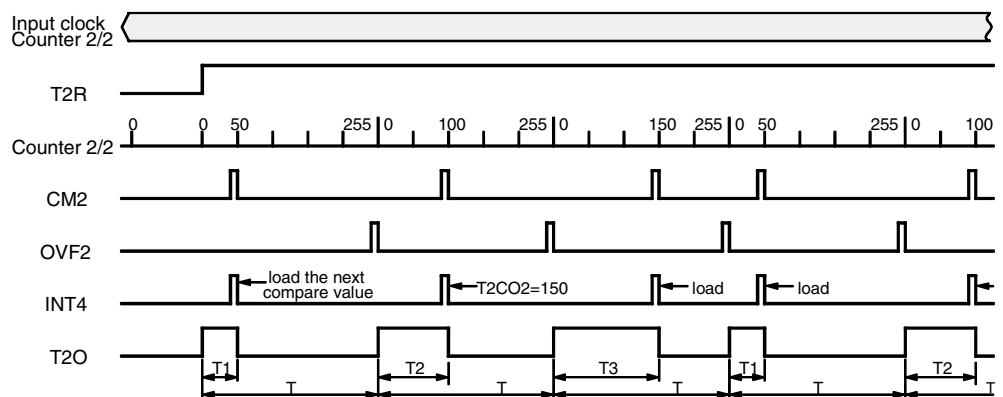


Timer 2 Output Mode 7

In this mode the timer overflow defines the period and the compare register defines the duty cycle. During one period only the first compare match occurrence is used to toggle the timer output flip-flop, until the overflow all further compare match are ignored. This avoids the situation that changing the compare register causes the occurrence of several compare match during one period. The resolution at the pulse-width modulation Timer 2 mode 1 is 12-bit and all other Timer 2 modes are 8-bit.

PWM Mode: Pulse-width modulation output on Timer 2 output pin (T2O)

Figure 48. PWM Modulation



Timer 2 Registers

Timer 2 has 6 control registers to configure the timer mode, the time interval, the input clock and its output function. All registers are indirectly addressed using extended addressing as described in section "Addressing Peripherals". The alternate functions of the Ports BP41 or BP42 must be selected with the Port 4 control register P4CR, if one of the Timer 2 modes require an input at T2I/BP41 or an output at T2O/BP42.

Timer 2 Control Register (T2C)

Address: "7"hex - Subaddress: "0"hex

| Bit 3 | Bit 2 | Bit 1 | Bit 0 |
|--------------|--------------|-------------|------------|
| T2CS1 | T2CS0 | T2TS | T2R |

Reset value: 0000b

T2CS1 Timer 2 Clock Select bit 1

T2CS0 Timer 2 Clock Select bit 0

Table 16. Timer 2 Clock Select Bits

| T2CS1 | T2CS0 | Input Clock (CL 2/1) of Counter Stage 2/1 |
|-------|-------|---|
| 0 | 0 | System clock (SYSCL) |
| 0 | 1 | Output signal of Timer 1 (T1OUT) |
| 1 | 0 | Internal shift clock of SSI (SCL) |
| 1 | 1 | Output signal of Timer 3 (TOG3) |

T2TS Timer 2 Toggle with Start

T2TS = 0, the output flip-flop of Timer 2 is not toggled with the timer start

T2TS = 1, the output flip-flop of Timer 2 is toggled when the timer is started with T2R

T2R Timer 2 Run

T2R = 0, Timer 2 stop and reset

T2R = 1, Timer 2 run

Timer 2 Mode Register 1 (T2M1)

Address: "7"hex - Subaddress: "1"hex

| Bit 3 | Bit 2 | Bit 1 | Bit 0 |
|-------------|-------------|--------------|--------------|
| T2D1 | T2D0 | T2MS1 | T2MS0 |

Reset value: 1111b

T2D1 Timer 2 Duty cycle bit 1

T2D0 Timer 2 Duty cycle bit 0

Table 17. Timer 2 Duty Cycle Bits

| T2D1 | T2D0 | Function of Duty Cycle Generator (DCG) | Additional Divider Effect |
|------|------|--|---------------------------|
| 1 | 1 | Bypassed (DCGO0) | /1 |
| 1 | 0 | Duty cycle 1/1 (DCGO1) | /2 |
| 0 | 1 | Duty cycle 1/2 (DCGO2) | /3 |
| 0 | 0 | Duty cycle 1/3 (DCGO3) | /4 |

T2MS1 Timer 2 Mode Select bit 1

T2MS0 Timer 2 Mode Select bit 0

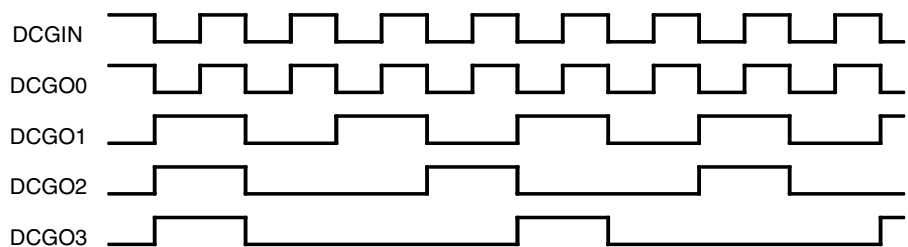
Table 18. Timer 2 Mode Select Bits

| Mode | T2MS1 | T2MS0 | Clock Output (POUT) | Timer 2 Modes |
|------|-------|-------|-------------------------------|--|
| 1 | 1 | 1 | 4-bit counter overflow (OVF1) | 12-bit compare counter; the DCG has to be bypassed in this mode |
| 2 | 1 | 0 | 4-bit compare output (CM1) | 8-bit compare counter with 4-bit programmable prescaler and duty cycle generator |
| 3 | 0 | 1 | 4-bit compare output (CM1) | 8-bit compare counter clocked by SYSCL or the external clock input T2I, 4-bit prescaler run, the counter 2/1 starts after writing mode 3 |
| 4 | 0 | 0 | 4-bit compare output (CM1) | 8-bit compare counter clocked by SYSCL or the external clock input T2I, 4-bit prescaler stop and resets |

Duty Cycle Generator

The duty cycle generator generates duty cycles of 25%, 33% or 50%. The frequency at the duty cycle generator output depends on the duty cycle and the Timer 2 prescaler setting. The DCG-stage can also be used as additional programmable prescaler for Timer 2.

Figure 49. DCG Output Signals



Timer 2 Mode Register 2 (T2M2)

Address: "7"hex - Subaddress: "2"hex

| Bit 3 | Bit 2 | Bit 1 | Bit 0 |
|--------------|--------------|--------------|--------------|
| T2TOP | T2OS2 | T2OS1 | T2OS0 |

Reset value: 1111b

- T2TOP** **Timer 2 Toggle Output Preset**
 This bit allows the programmer to preset the Timer 2 output T2O.
 T2TOP = 0, resets the toggle outputs with the write cycle (M2 = 0)
 T2TOP = 1, sets toggle outputs with the write cycle (M2 = 1)
Note: If T2R = 1, no output preset is possible
- T2OS2** **Timer 2 Output Select bit 2**
- T2OS1** **Timer 2 Output Select bit 1**
- T2OS0** **Timer 2 Output Select bit 0**

Table 19. Timer 2 Output Select Bits

| Output Mode | T2OS2 | T2OS1 | T2OS0 | Clock Output (POUT) |
|-------------|-------|-------|-------|--|
| 1 | 1 | 1 | 1 | Toggle mode: a Timer 2 compare match toggles the output flip-flop (M2) -> T2O |
| 2 | 1 | 1 | 0 | Duty cycle burst generator 1: the DCG output signal (DCG0) is given to the output and gated by the output flip-flop (M2) |
| 3 | 1 | 0 | 1 | Duty cycle burst generator 2: the DCG output signal (DCG0) is given to the output and gated by the SSI internal data output (SO) |
| 4 | 1 | 0 | 0 | Biphase modulator: Timer 2 modulates the SSI internal data output (SO) to Biphase code |
| 5 | 0 | 1 | 1 | Manchester modulator: Timer 2 modulates the SSI internal data output (SO) to Manchester code |
| 6 | 0 | 1 | 0 | SSI output: T2O is used directly as SSI internal data output (SO) |
| 7 | 0 | 0 | 1 | PWM mode: an 8/12-bit PWM mode |
| 8 | 0 | 0 | 0 | Not allowed |

If one of these output modes is used the T2O alternate function of Port 4 must also be activated.

Timer 2 Compare and Compare Mode Registers

Timer 2 has two separate compare registers, T2CO1 for the 4-bit stage and T2CO2 for the 8-bit stage of Timer 2. The timer compares the contents of the compare register current counter value and if it matches it generates an output signal. Dependent on the timer mode, this signal is used to generate a timer interrupt, to toggle the output flip-flop as SSI clock or as a clock for the next counter stage.

In the 12-bit timer mode, T2CO1 contains bits 0 to 3 and T2CO2 bits 4 to 11 of the 12-bit compare value. In all other modes, the two compare registers work independently as a 4- and 8-bit compare register.

When assigned to the compare register a compare event will be suppressed.

Timer 2 Compare Mode Register (T2CM)

Address: "7"hex - Subaddress: "3"hex

| | | | | |
|--------------|--------------|-------------|-------------|---------------------------|
| Bit 3 | Bit 2 | Bit 1 | Bit 0 | |
| T2OTM | T2CTM | T2RM | T2IM | Reset value: 0000b |

- T2OTM** **Timer 2 Overflow Toggle Mask bit**
T2OTM = 0, disable overflow toggle
T2OTM = 1, enable overflow toggle, a counter overflow (OVF2) toggles output flip-flop (TOG2). If the T2OTM bit is set, only a counter overflow can generate an interrupt except on the Timer 2 output mode 7.
- T2CTM** **Timer 2 Compare Toggle Mask bit**
T2CTM = 0, disable compare toggle
T2CTM = 1, enable compare toggle, a match of the counter with the compare register toggles output flip-flop (TOG2). In Timer 2 output mode 7 and when the T2CTM bit is set, only a match of the counter with the compare register can generate an interrupt.
- T2RM** **Timer 2 Reset Mask bit**
T2RM = 0, disable counter reset
T2RM = 1, enable counter reset, a match of the counter with the compare register resets the counter
- T2IM** **Timer 2 Interrupt Mask bit**
T2IM = 0, disable Timer 2 interrupt
T2IM = 1, enable Timer 2 interrupt

Table 20. Timer 2 Toggle Mask Bits

| Timer 2 Output Mode | T2OTM | T2CTM | Timer 2 Interrupt Source |
|---------------------|-------|-------|--------------------------|
| 1, 2, 3, 4, 5 and 6 | 0 | x | Compare match (CM2) |
| 1, 2, 3, 4, 5 and 6 | 1 | x | Overflow (OVF2) |
| 7 | x | 1 | Compare match (CM2) |

Timer 2 COmpare Register 1 (T2CO1)

Address: "7"hex - Subaddress: "4"hex

| | | | | | |
|--------------------|--------------|--------------|--------------|--------------|---------------------------|
| Write cycle | Bit 3 | Bit 2 | Bit 1 | Bit 0 | Reset value: 1111b |
|--------------------|--------------|--------------|--------------|--------------|---------------------------|

In prescaler mode the clock is bypassed if the compare register T2CO1 contains 0.

Timer 2 COmpare Register 2 (T2CO2) Byte Write

Address: "7"hex - Subaddress: "5"hex

| | | | | | |
|--------------------------|--------------|--------------|--------------|--------------|---------------------------|
| First write cycle | Bit 3 | Bit 2 | Bit 1 | Bit 0 | Reset value: 1111b |
|--------------------------|--------------|--------------|--------------|--------------|---------------------------|

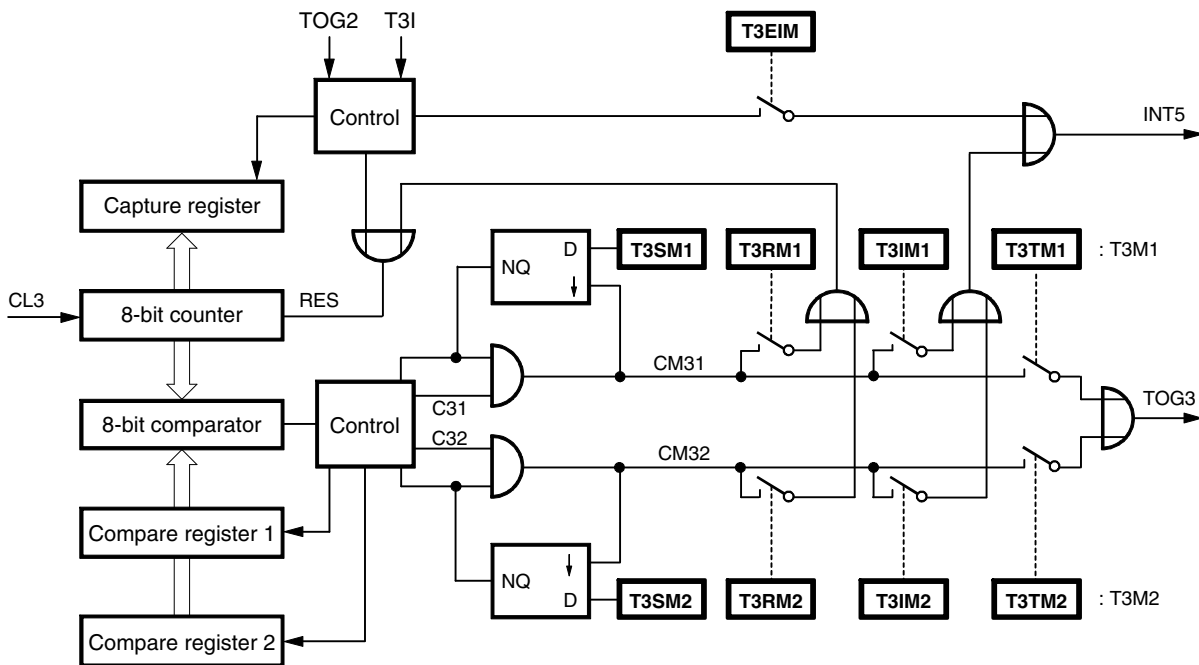
| | | | | | |
|---------------------------|--------------|--------------|--------------|--------------|---------------------------|
| Second write cycle | Bit 7 | Bit 6 | Bit 5 | Bit 4 | Reset value: 1111b |
|---------------------------|--------------|--------------|--------------|--------------|---------------------------|

Timer 3

Features

- Two Compare Registers
- Capture Register
- Edge Sensitive Input with Zero Cross Detection Capability
- Trigger and Single Action Modes
- Output Control Modes
- Automatically Modulation and Demodulation Modes
- FSK Modulation
- Pulse Width Modulation (PWM)
- Manchester Demodulation Together with SSI
- Biphas Demodulation Together with SSI
- Pulse-width Demodulation Together with SSI

Figure 50. Timer 3



Timer 3 consists of an 8-bit up-counter with two compare registers and one capture register. The timer can be used as event counter, timer and signal generator. Its output can be programmed as modulator and demodulator for the serial interface. The two compare registers enable various modes of signal generation, modulation and demodulation. The counter can be driven by internal and external clock sources. For external clock sources, it has a programmable edge-sensitive input which can be used as counter input, capture signal input or trigger input. This timer input is synchronized with SYSCL. Therefore, in the power-down mode SLEEP (CPU core -> sleep and OSC-Stop -> yes), this timer input is stopped too. The counter is readable via its capture register while it is running. In capture mode, the counter value can be captured by a programmable capture event from the Timer 3 input or Timer 2 output.

A special feature of this timer is the trigger- and single-action mode. In trigger mode, the counter starts counting triggered by the external signal at its input. In single-action mode, the counter counts only one time up to the programmed compare match event. These modes are very useful for modulation, demodulation, signal generation, signal measurement and phase controlling. For phase controlling, the timer input is protected against negative voltages and has zero-cross detection capability.

Timer 3 has a modulator output stage and input functions for demodulation. As modulator it works together with Timer 2 or the serial interface. When the shift register is used for modulation the data shifted out of the register is encoded bitwise. In all demodulation modes, the decoded data bits are shifted automatically into the shift register.

Timer/Counter Modes

Timer 3 has 6 timer modes and 6 modulator/demodulator modes. The mode is set via the Timer 3 Mode Register T3M.

In all these modes, the compare register and the compare-mode register belonging to it define the counter value for a compare match and the action of a compare match. A match of the current counter value with the content of one compare register triggers a counter reset, a Timer 3 interrupt or the toggling of the output flip-flop. The compare mode registers T3M1 and T3M2 contain the mask bits for enabling or disabling these actions.

The counter can also be enabled to execute single actions with one or both compare registers. If this mode is set the corresponding compare match event is generated only once after the counter start.

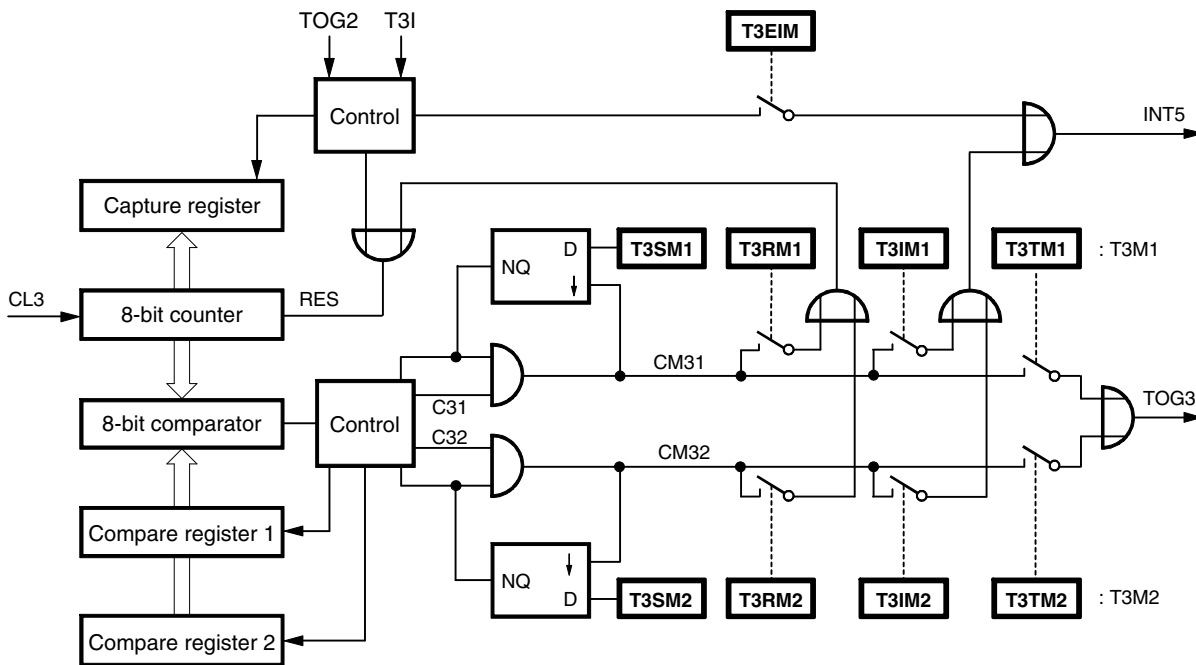
Most of the timer modes use their compare registers alternately. After the start has been activated, the first comparison is carried out via the compare register 1, the second is carried out via the compare register 2, the third is carried out again via the compare register 1 and so on. This makes it easy to generate signals with constant periods and variable duty cycle or to generate signals with variable pulse and space widths.

If single-action mode is set for one compare register, the comparison is always carried out after the first cycle via the other compare register.

The counter can be started and stopped via the control register T3C. This register also controls the initial level of the output before start. T3C contains the interrupt mask for a T3I input interrupt.

Via the Timer 3 clock-select register, the internal or external clock source can be selected. This register selects also the active edge of the external input. An edge at the external input T3I can generate also an interrupt if the T3EIM bit is set and the Timer 3 is stopped (T3R = 0) in the T3C register.

Figure 51. Counter 3 Stage



The status of the timer as well as the occurrence of a compare match or an edge detect of the input signal is indicated by the status register T2ST. This allows identification of the interrupt source because all these events share only one timer interrupt.

Timer 3 compares data values.

The Timer 3 has two 8-bit compare registers (T3CO1, T3CO2). The compare data value can be 'm' for each of the Timer 3 compare registers.

The compare data value for the compare registers is: $m = x + 1 \quad 0 \leq x \leq 255$

**Timer 3 – Mode 1:
Timer/Counter**

The selected clock from an internal or external source increments the 8-bit counter. In this mode, the timer can be used as event counter for external clocks at T3I or as timer for generating interrupts and pulses at T3O. The counter value can be read by the software via the capture register.

Figure 52. Counter Reset with Each Compare Match

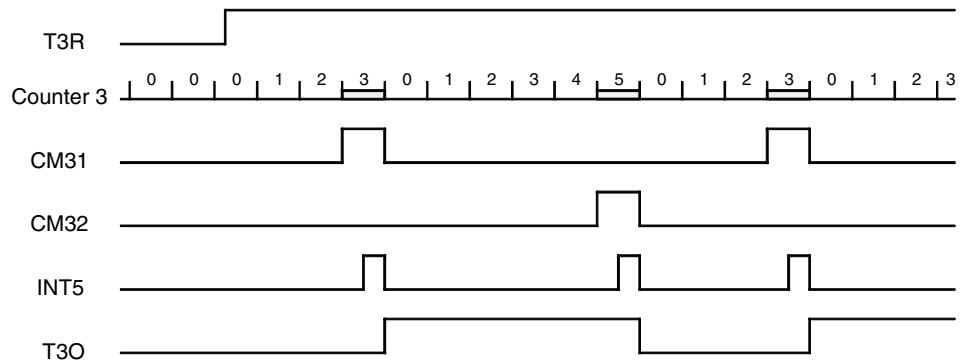


Figure 53. Counter Reset with Compare Register 2 and Toggle with Start

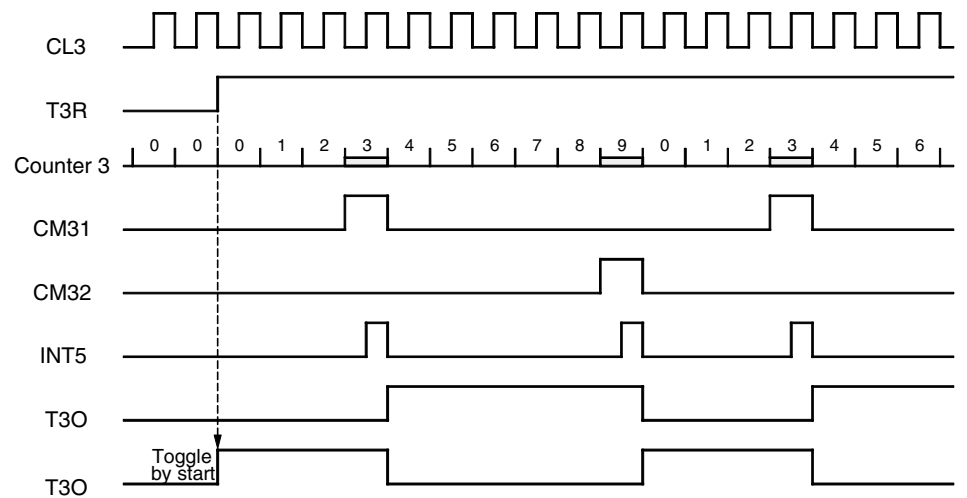
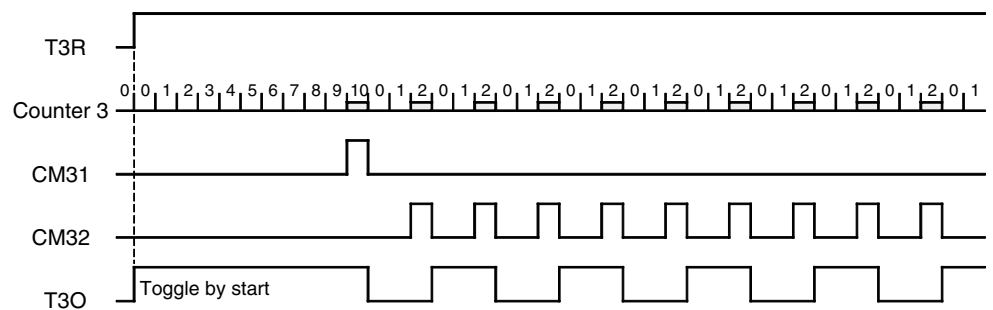


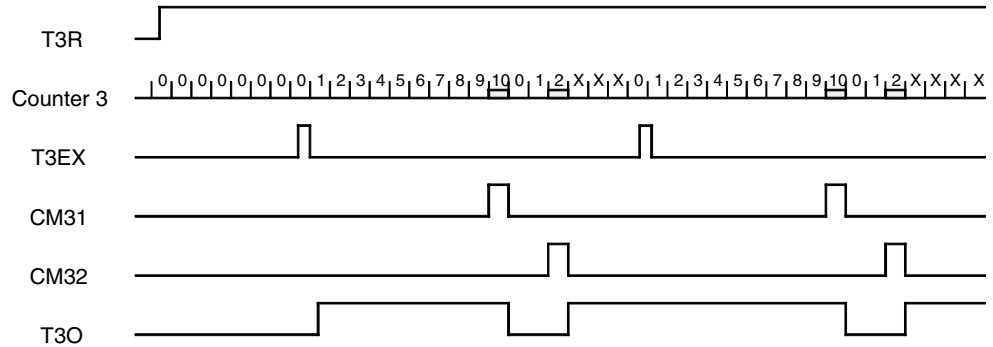
Figure 54. Single Action of Compare Register 1



**Timer 3 – Mode 2:
Timer/Counter, External
Trigger Restart and External
Capture (with T3I Input)**

The counter is driven by an internal clock source. After starting with T3R, the first edge from the external input T3I starts the counter. The following edges at T3I load the current counter value into the capture register, reset the counter and restart it. The edge can be selected by the programmable edge decoder of the timer input stage. If single-action mode is activated for one or both compare registers the trigger signal restarts the single action.

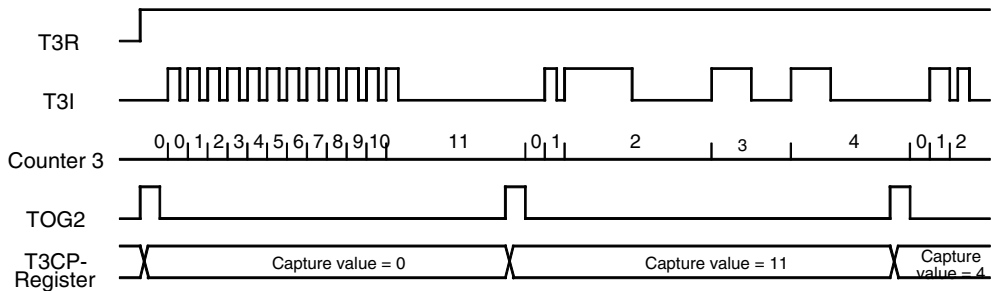
Figure 55. Externally Triggered Counter Reset and Start Combined with Single-action Mode



**Timer 3 – Mode 3:
Timer/Counter, Internal
Trigger Restart and Internal
Capture (with TOG2)**

The counter is driven by an internal or external (T3I) clock source. The output toggle signal of Timer 2 resets the counter. The counter value before the reset is saved in the capture register. If single-action mode is activated for one or both compare registers, the trigger signal restarts the single actions. This mode can be used for frequency measurements or as event counter with time gate (see “Combination Mode 10: Frequency Measurement or Event Counter with Time Gate” on page 85).

Figure 56. Event Counter with Time Gate



**Timer 3 – Mode 4:
Timer/Counter**

The timer runs as timer/counter in mode 1, but its output T3O is used as output for the Timer 2 output signal.

**Timer 3 – Mode 5:
Timer/Counter, External
Trigger Restart and External
Capture (with T3I Input)**

The Timer 3 runs as timer/counter in mode 2, but its output T3O is used as output for the Timer 2 output signal.

Timer 3 Modulator/Demodulator Modes

**Timer 3 – Mode 6:
Carrier Frequency Burst
Modulation Controlled by
Timer 2 Output Toggle
Flip-Flop (M2)**

The Timer 3 counter is driven by an internal or external clock source. Its compare- and compare mode registers must be programmed to generate the carrier frequency via the output toggle flip-flop. The output toggle flip-flop of Timer 2 is used to enable or disable the Timer 3 output. Timer 2 can be driven by the toggle output signal of Timer 3 or any other clock source (see “Combination Mode 11: Burst Modulation 1” on page 86).

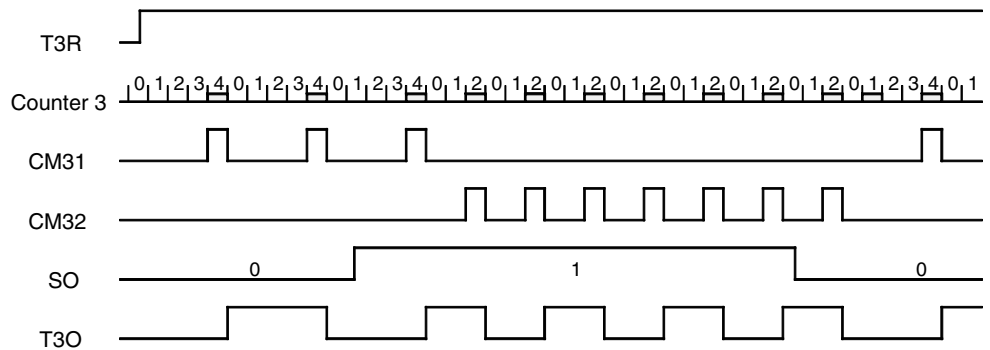
**Timer 3 – Mode 7:
Carrier Frequency Burst
Modulation Controlled by SSI
Internal Output (SO)**

The Timer 3 counter is driven by an internal or external clock source. Its compare- and compare mode registers must be programmed to generate the carrier frequency via the output toggle flip-flop. The output (SO) of the SSI is used to enable or disable the Timer 3 output. The SSI should be supplied with the toggle signal of Timer 2 (see “Combination Mode 12: Burst Modulation 2” on page 88).

**Timer 3 – Mode 8:
FSK Modulation with Shift
Register Data (SO)**

The two compare registers are used for generating two different time intervals. The SSI internal data output (SO) selects which compare register is used for the output frequency generation. A "0" level at the SSI data output enables the compare register 1. A "1" level enables compare register 2. The compare- and compare-mode registers must be programmed to generate the two frequencies via the output toggle flip-flop. The SSI can be supplied with the toggle signal of Timer 2. The Timer 3 counter is driven by an internal or external clock source. The Timer 2 counter is driven by the Counter 3 (TOG3) (see “Combination Mode 13: FSK Modulation” on page 88).

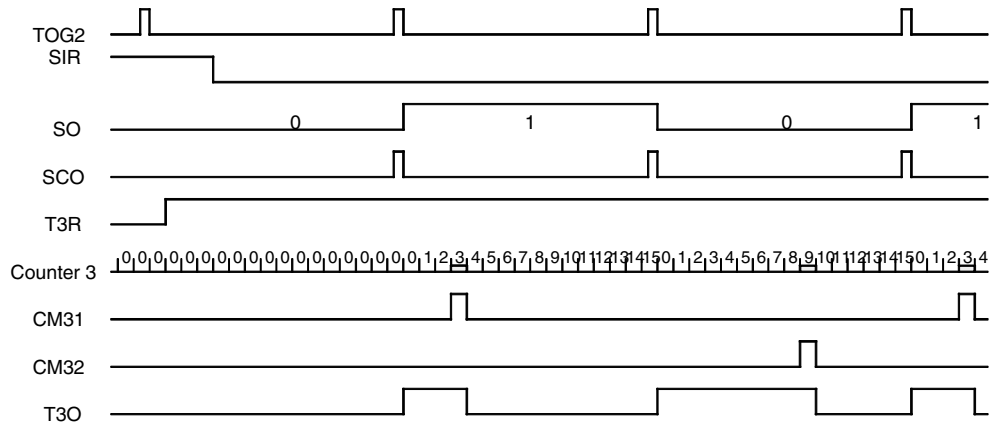
Figure 57. FSK Modulation



**Timer 3 – Mode 9:
Pulse-width Modulation with
the Shift Register**

The two compare registers are used for generating two different time intervals. The SSI internal data output (SO) selects which compare register is used for the output pulse generation. In this mode both compare- and compare-mode registers must be programmed for generating the two pulse widths. It is also useful to enable the single-action mode for extreme duty cycles. Timer 2 is used as baudrate generator and for the trigger restart of Timer 3. The SSI must be supplied with a toggle signal of Timer 2. The counter is driven by an internal or external clock source (see “Combination Mode 7: Pulse-width Modulation (PWM)” on page 83).

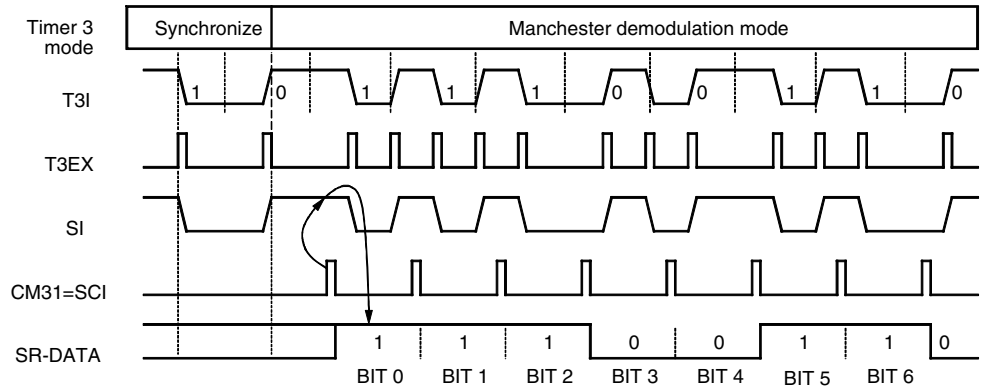
Figure 58. Pulse-width Modulation



**Timer 3 – Mode 10:
Manchester
Demodulation/Pulse-width
Demodulation**

For Manchester demodulation, the edge detection stage must be programmed to detect each edge at the input. These edges are evaluated by the demodulator stage. The timer stage is used to generate the shift clock for the SSI. The compare register 1 match event defines the correct moment for shifting the state from the input T3I as the decoded bit into shift register - after that the demodulator waits for the next edge to synchronize the timer by a reset for the next bit. The compare register 2 can also be used to detect a time-out error and handle it with an interrupt routine (see “Combination Mode 8: Manchester Demodulation/Pulse-width Demodulation” on page 83).

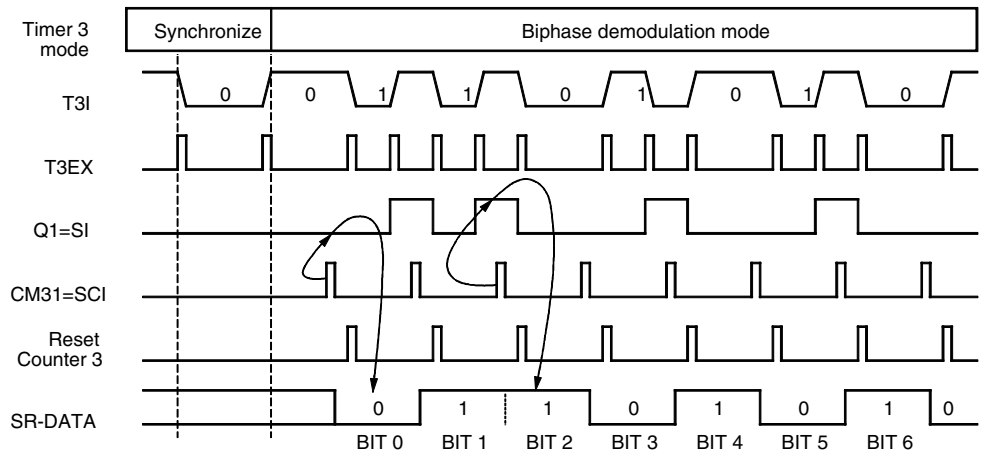
Figure 59. Manchester Demodulation



**Timer 3 – Mode 11:
Biphase Demodulation**

In the Biphase demodulation mode, the timer operates like in Manchester demodulation mode. The difference is that the bits are decoded via a toggle flip-flop. This flip-flop samples the edge in the middle of the bitframe and the compare register 1 match event shifts the toggle flip-flop output into shift register (see “Combination Mode 9: Biphase Demodulation” on page 84).

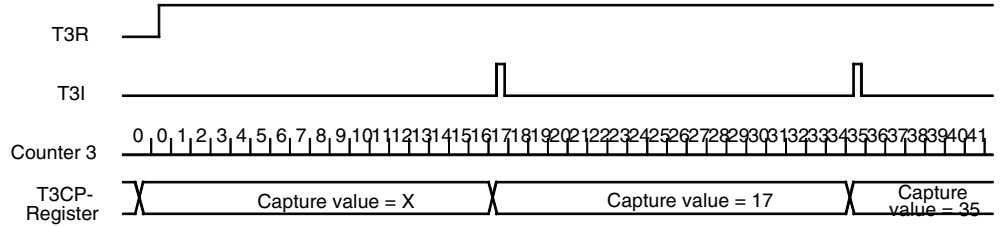
Figure 60. Biphase Demodulation



Timer 3 – Mode 12: Timer/Counter with External Capture Mode (T3I)

The counter is driven by an internal clock source and an edge at the external input T3I loads the counter value into the capture register. The edge can be selected with the programmable edge detector of the timer input stage. This mode can be used for signal and pulse measurements.

Figure 61. External Capture Mode

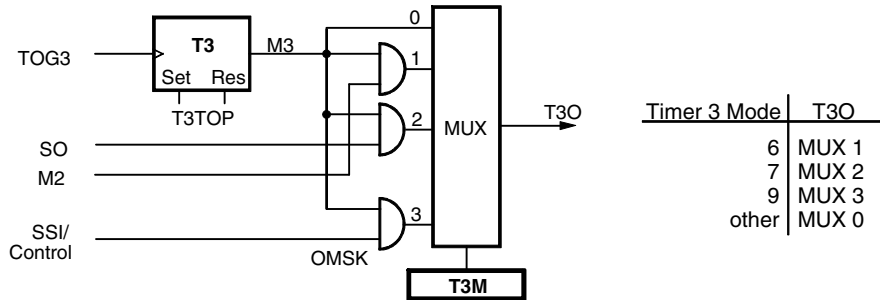


Timer 3 Modulator for Carrier Frequency Burst Modulation

If the output stage operates as pulse-width modulator for the shift register, the output can be stopped with stage 1 of Timer 2. For this task, the timer mode 3 must be used and the prescaler must be supplied by the internal shift clock of the shift register.

The modulator can be started with the start of the shift register (SIR = 0) and stopped either by a shift register stop (SIR = 1) or compare match event of stage 1 of Timer 2. For this task, the Timer 2 must be used in mode 3 and the prescaler stage must be supplied by the internal shift clock of the shift register.

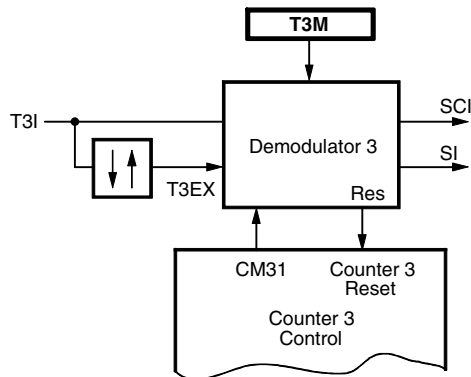
Figure 62. Modulator 3



Timer 3 Demodulator for Biphase, Manchester and Pulse-width-modulated Signals

The demodulator stage of Timer 3 can be used to decode Biphase, Manchester and pulse-width-coded signals.

Figure 63. Timer 3 Demodulator 3



Timer 3 Registers

Timer 3 Mode Register (T3M)

Address: "B"hex - Subaddress: "0"hex

| Bit 3 | Bit 2 | Bit 1 | Bit 0 |
|-------------|-------------|-------------|-------------|
| T3M3 | T3M2 | T3M1 | T3M0 |

Reset value: 1111b

T3M3 Timer 3 Mode select bit 3

T3M2 Timer 3 Mode select bit 2

T3M1 Timer 3 Mode select bit 1

T3M0 Timer 3 Mode select bit 0

Table 21. Timer 3 Mode Select Bits

| Mode | T3M3 | T3M2 | T3M1 | T3M0 | Timer 3 Modes |
|------|------|------|------|------|---|
| 1 | 1 | 1 | 1 | 1 | Timer/counter with a read access |
| 2 | 1 | 1 | 1 | 0 | Timer/counter, external capture and external trigger restart mode (T3I) |
| 3 | 1 | 1 | 0 | 1 | Timer/counter, internal capture and internal trigger restart mode (TOG2) |
| 4 | 1 | 1 | 0 | 0 | Timer/counter mode 1 without output (T2O -> T3O) |
| 5 | 1 | 0 | 1 | 1 | Timer/counter mode 2 without output (T2O -> T3O) |
| 6 | 1 | 0 | 1 | 0 | Burst modulation with Timer 2 (M2) |
| 7 | 1 | 0 | 0 | 1 | Burst modulation with shift register (SO) |
| 8 | 1 | 0 | 0 | 0 | FSK modulation with shift register (SO) |
| 9 | 0 | 1 | 1 | 1 | Pulse-width modulation with shift register (SO) and Timer 2 (TOG2), internal trigger restart (SCO) -> counter reset |
| 10 | 0 | 1 | 1 | 0 | Manchester demodulation/pulse-width demodulation ⁽¹⁾ (T2O -> T3O) |
| 11 | 0 | 1 | 0 | 1 | Biphase demodulation (T2O -> T3O) |
| 12 | 0 | 1 | 0 | 0 | Timer/counter with external capture mode (T3I) |
| 13 | 0 | 0 | 1 | 1 | Not allowed |
| 14 | 0 | 0 | 1 | 0 | Not allowed |
| 15 | 0 | 0 | 0 | 1 | Not allowed |
| 16 | 0 | 0 | 0 | 0 | Not allowed |

Note: 1. In this mode, the SSI can be used only as demodulator (8-bit NRZ rising edge). All other SSI modes are not allowed.

Timer 3 Control Register 1 (T3C) Write

Primary register address: "C"hex - Write

| | Bit 3 | Bit 2 | Bit 1 | Bit 0 | |
|-------|--------------|--------------|-------------|------------|---------------------------|
| Write | T3EIM | T3TOP | T3TS | T3R | Reset value: 0000b |

- T3EIM** **Timer 3 Edge Interrupt Mask**
T3EIM = 0, disables the interrupt when an edge event for Timer 3 occurs (T3I)
T3EIM = 1, enables the interrupt when an edge event for Timer 3 occurs (T3I)
- T3TOP** **Timer 3 Toggle Output Preset** T3TOP = 0, sets toggle output (M3) to "0"
T3TOP = 1, sets toggle output (M3) to "1"
Note: If T3R = 1, no output preset is possible
- T3TS** **Timer 3 Toggle with Start** T3TS = 0, Timer 3 output is not toggled during the start
T3TS = 1, Timer 3 output is toggled if started with T3R
- T3R** **Timer 3 Run**
T3R = 0, Timer 3 stop and reset
T3R = 1, Timer 3 run

Timer 3 Status Register 1 (T3ST) Read

Primary register address: "C"hex - Read

| | Bit 3 | Bit 2 | Bit 1 | Bit 0 | |
|------|-------|-------------|-------------|-------------|---------------------------|
| Read | - | T3ED | T3C2 | T3C1 | Reset value: x000b |

- T3ED** **Timer 3 Edge Detect**
This bit will be set by the edge-detect logic of Timer 3 input (T3I)
- T3C2** **Timer 3 Compare 2**
This bit will be set when a match occurs between Counter 3 and T3CO2
- T3C1** **Timer 3 Compare 1**
This bit will be set when a match occurs between Counter 3 and T3CO1

Note: The status bits T3C1, T3C2 and T3ED will be reset after a READ access to T3ST.

Timer 3 Clock Select Register (T3CS)

Address: "B"hex - Subaddress: "1"hex

| | | | | | |
|-------------|-------------|-------------|--------------|--------------|---------------------------|
| | Bit 3 | Bit 2 | Bit 1 | Bit 0 | |
| T3CS | T3E1 | T3E0 | T3CS1 | T3CS0 | Reset value: 1111b |

T3E1 Timer 3 Edge select bit 1

T3E0 Timer 3 Edge select bit 0

Table 22. Timer 3 Edge Select Bits

| T3E1 | T3E0 | Timer 3 Input Edge Select (T3I) |
|-------------|-------------|--|
| 1 | 1 | – |
| 1 | 0 | Positive edge at T3I pin |
| 0 | 1 | Negative edge at T3I pin |
| 0 | 0 | Each edge at T3I pin |

T3CS1 Timer 3 Clock Source select bit 1

T3CS0 Timer 3 Clock Source select bit 0

Table 23. Timer 3 Clock Select Bits

| T3CS1 | T3CS0 | Counter 3 Input Signal (CL3) |
|--------------|--------------|--|
| 1 | 1 | System clock (SYSCL) |
| 1 | 0 | Output signal of Timer 2 (POUT) |
| 0 | 1 | Output signal of Timer 1 (T1OUT) |
| 0 | 0 | External input signal from T3I edge detect |

Timer 3 Compare- and Compare-mode Register

Timer 3 has two separate compare registers T3CO1 and T3CO2 for the 8-bit stage of Timer 3. The timer compares the content of the compare register with the current counter value. If both match, it generates a signal. This signal can be used for the counter reset, to generate a timer interrupt, for toggling the output flip-flop, as SSI clock or as clock for the next counter stage. For each compare register, a compare-mode register exists. These registers contain mask bits to enable or disable the generation of an interrupt, a counter reset, or an output toggling with the occurrence of a compare match of the corresponding compare register. The mask bits for activating the single-action mode can also be located in the compare mode registers. When assigned to the compare register a compare event will be suppressed.

Timer 3 Compare-Mode Register 1 (T3CM1)

Address: "B"hex - Subaddress: "2"hex

| | Bit 3 | Bit 2 | Bit 1 | Bit 0 | |
|--------------|--------------|--------------|--------------|--------------|---------------------------|
| T3CM1 | T3SM1 | T3TM1 | T3RM1 | T3IM1 | Reset value: 0000b |

- T3SM1** **Timer 3 Single action Mask bit 1**
T3SM1 = 0, disables single-action compare mode
T3SM1 = 1, enables single-compare mode. After this bit is set, the compare register (T3CO1) is used until the next compare match.
- T3TM1** **Timer 3 compare Toggle action Mask bit 1**
T3TM1 = 0, disables compare toggle
T3TM1 = 1, enables compare toggle. A match of Counter 3 with the compare register (T3CO1) toggles the output flip-flop (TOG3).
- T3RM1** **Timer 3 Reset Mask bit 1**
T3RM1 = 0, disables counter reset
T3RM1 = 1, enables counter reset. A match of Counter 3 with the compare register (T3CO1) resets the Counter 3.
- T3IM1** **Timer 3 Interrupt Mask bit 1**
T3RM1 = 0, disables Timer 3 interrupt for T3CO1 register.
T3RM1 = 1, enables Timer 3 interrupt for T3CO1 register.

T3CM1 contains the mask bits for the match event of the Counter 3 compare register 1

Timer 3 Compare Mode Register 2 (T3CM2)

Address: "B"hex - Subaddress: "3"hex

| | Bit 3 | Bit 2 | Bit 1 | Bit 0 | |
|--------------|--------------|--------------|--------------|--------------|---------------------------|
| T3CM2 | T3SM2 | T3TM2 | T3RM2 | T3IM2 | Reset value: 0000b |

- T3SM2** **Timer 3 Single action Mask bit 2**
T3SM2 = 0, disables single-action compare mode
T3SM2 = 1, enables single-compare mode. After this bit is set, the compare register (T3CO2) is used until the next compare match.
- T3TM2** **Timer 3 compare Toggle action Mask bit 2**
T3TM2 = 0, disables compare toggle
T3TM2 = 1, enables compare toggle. A match of Counter 3 with the compare register (T3CO2) toggles the output flip-flop (TOG3).
- T3RM2** **Timer 3 Reset Mask bit 2**
T3RM2 = 0, disables counter reset
T3RM2 = 1, enables counter reset. A match of Counter 3 with the compare register (T3CO2) resets the Counter 3.
- T3IM2** **Timer 3 Interrupt Mask bit 2**
T3RM2 = 0, disables Timer 3 interrupt for T3CO2 register.
T3RM2 = 1, enables Timer 3 interrupt for T3CO2 register.

T3CM2 contains the mask bits for the match event of Counter 3 compare register 2

The compare registers and corresponding counter reset masks can be used to program the counter time intervals and the toggle masks can be used to program output signal. The single-action mask can also be used in this mode. It starts operating after the timer started with T3R.



Timer 3 COmpare Register 1 (T3CO1) Byte Write

Address: "B"hex - Subaddress: "4"hex

| | | | | | |
|--------------------|--------------------|-------|--------|-------|--------------------|
| | High Nibble | | | | |
| Second write cycle | Bit 7 | Bit 6 | Bit 5 | Bit 4 | Reset value: 1111b |
| | Low Nibble | | | | |
| First write cycle | Bit 3 | Bit 2 | Bit 15 | Bit 0 | Reset value: 1111b |

Timer 3 COmpare Register 2 (T3CO2) Byte Write

Address: "B"hex - Subaddress: "5"hex

| | | | | | |
|--------------------|--------------------|-------|--------|-------|--------------------|
| | High Nibble | | | | |
| Second write cycle | Bit 7 | Bit 6 | Bit 5 | Bit 4 | Reset value: 1111b |
| | Low Nibble | | | | |
| First write cycle | Bit 3 | Bit 2 | Bit 15 | Bit 0 | Reset value: 1111b |

Timer 3 Capture Register

The counter content can be read via the capture register. There are two ways to use the capture register. In modes 1 and 4, it is possible to read the current counter value directly out of the capture register. In the capture modes 2, 3, 5 and 12, a capture event like an edge at the Timer 3 input or a signal from Timer 2 stores the current counter value into the capture register. This counter value can be read from the capture register.

Timer 3 CaPture Register (T3CP) Byte Read

Address: "B"hex - Subaddress: "4"hex

| | | | | | |
|-------------------|--------------------|-------|--------|-------|--------------------|
| | High Nibble | | | | |
| First read cycle | Bit 7 | Bit 6 | Bit 5 | Bit 4 | Reset value: xxxxb |
| | Low Nibble | | | | |
| Second read cycle | Bit 3 | Bit 2 | Bit 15 | Bit 0 | Reset value: xxxxb |

Synchronous Serial Interface (SSI)

SSI Features:

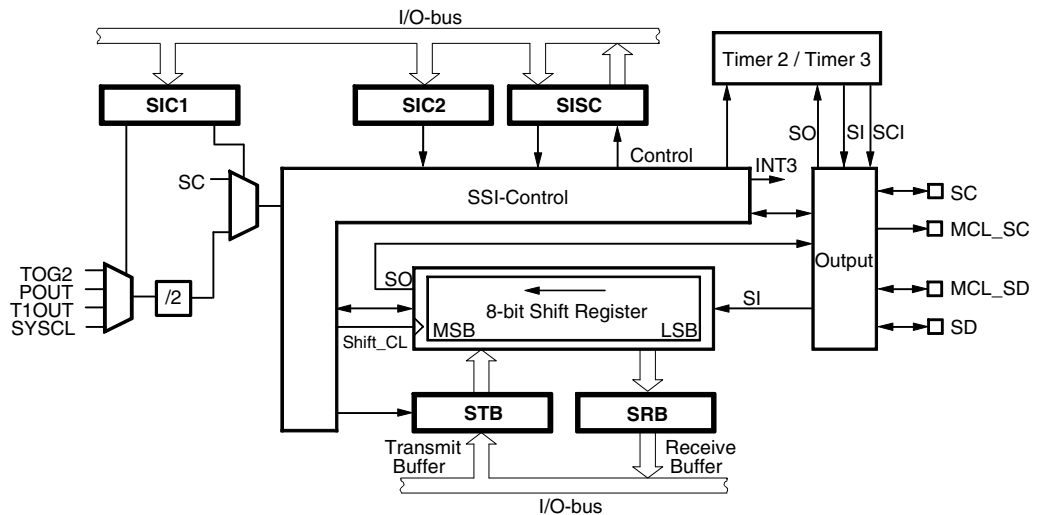
- With Timer 1
 - 2- and 3-wire NRZ
 - 2-wire mode multi-chip link mode (MCL), additional internal 2-wire link for multi-chip packaging solutions
- With Timer 2
 - Biphase modulation
 - Manchester modulation
 - Pulse-width demodulation
 - Burst modulation
- With Timer 3
 - Pulse-width modulation (PWM)
 - FSK modulation
 - Biphase demodulation
 - Manchester demodulation
 - Pulse-width demodulation
 - Pulse position Demodulation

SSI Peripheral Configuration

The synchronous serial interface (SSI) can be used either for serial communication with external devices such as EEPROMs, shift registers, display drivers, other microcontrollers, or as a means for generating and capturing on-chip serial streams of data. External data communication takes place via the Port 4 (BP4), a multi-functional port which can be software configured by writing the appropriate control word into the P4CR register. The SSI can be configured in any of the following ways:

1. 2-wire external interface for bi-directional data communication with one data terminal and one shift clock. The SSI uses the Port BP43 as a bi-directional serial data line (SD) and BP40 as shift clock line (SC).
2. 3-wire external interface for simultaneous input and output of serial data, with a serial input data terminal (SI), a serial output data terminal (SO) and a shift clock (SC). The SSI uses BP40 as shift clock (SC), while the serial data input (SI) is applied to BP43 (configured in P4CR as input). Serial output data (SO) in this case is passed through to BP42 (configured in P4CR to T2O) via the Timer 2 output stage (T2M2 configured in mode 6).
3. Timer/SSI combined modes – the SSI used together with Timer 2 or Timer 3 is capable of performing a variety of data modulation and demodulation functions (see section Timer). The modulating data is converted by the SSI into a continuous serial stream of data which is in turn modulated in one of the timer functional blocks. Serial demodulated data can be serially captured in the SSI and read by the controller. In the Timer 3 modes 10 and 11 (demodulation modes) the SSI can only be used as demodulator.
4. Multi-chip link (MCL) – the SSI can also be used as an interchip data interface for use in single package multi-chip modules or hybrids. For such applications, the SSI is provided with two dedicated pads (MCL_SD and MCL_SC) which act as a two-wire chip-to-chip link. The MCL can be activated by the MCL control bit. Should these MCL pads be used by the SSI, the standard SD and SC pins are not required and the corresponding Port 4 ports are available as conventional data ports.

Figure 64. Block Diagram of the Synchronous Serial Interface



General SSI Operation

The SSI is comprised essentially of an 8-bit shift register with two associated 8-bit buffers – the receive buffer (SRB) for capturing the incoming serial data and a transmit buffer (STB) for intermediate storage of data to be serially output. Both buffers are directly accessible by software. Transferring the parallel buffer data into and out of the shift register is controlled automatically by the SSI control, so that both single byte transfers or continuous bit streams can be supported.

The SSI can generate the shift clock (SC) either from one of several on-chip clock sources or accept an external clock. The external shift clock is output on, or applied to the Port BP40. Selection of an external clock source is performed by the Serial Clock Direction control bit (SCD). In the combinational modes, the required clock is selected by the corresponding timer mode.

The SSI can operate in three data transfer modes – synchronous 8-bit shift mode, a 9-bit Multi-Chip Link Mode (MCL), or 8-bit pseudo MCL protocol (without acknowledge-bit).

External SSI clocking is not supported in these modes. The SSI should thus generate and has full control over the shift clock so that it can always be regarded as an MCL bus master device.

All directional control of the external data port used by the SSI is handled automatically and is dependent on the transmission direction set by the Serial Data Direction (SDD) control bit. This control bit defines whether the SSI is currently operating in Transmit (TX) mode or Receive (RX) mode.

Serial data is organized in 8-bit telegrams which are shifted with the most significant bit first. In the 9-bit MCL mode, an additional acknowledge bit is appended to the end of the telegram for handshaking purposes (see “MCL Bus Protocol” on page 72).

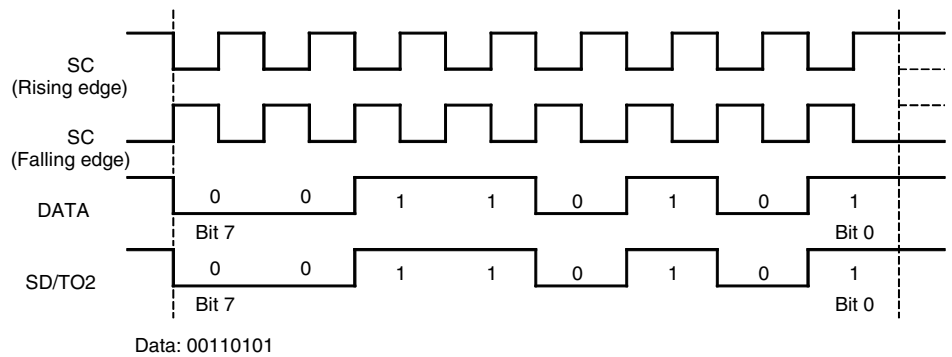
At the beginning of every telegram, the SSI control loads the transmit buffer into the shift register and proceeds immediately to shift data serially out. At the same time, incoming data is shifted into the shift register input. This incoming data is automatically loaded into the receive buffer when the complete telegram has been received. Thus, data can be simultaneously received and transmitted if required.

Before data can be transferred, the SSI must first be activated. This is performed by means of the SSI reset control (SIR) bit. All further operation then depends on the data directional mode (TX/RX) and the present status of the SSI buffer registers shown by the Serial Interface Ready Status Flag (SRDY). This SRDY flag indicates the (empty/full) status of either the transmit buffer (in TX mode), or the receive buffer (in RX mode). The control logic ensures that data shifting is temporarily halted at any time, if the appropriate receive/transmit buffer is not ready (SRDY = 0). The SRDY status will then automatically be set back to '1' and data shifting resumed as soon as the application software loads the new data into the transmit register (in TX mode) or frees the shift register by reading it into the receive buffer (in RX mode).

A further activity status (ACT) bit indicates the present status of the serial communication. The ACT bit remains high for the duration of the serial telegram or if MCL stop or start conditions are currently being generated. Both the current SRDY and ACT status can be read in the SSI status register. To deactivate the SSI, the SIR bit must be set high.

8-bit Synchronous Mode

Figure 65. 8-bit Synchronous Mode



In the 8-bit synchronous mode, the SSI can operate as either a 2- or 3-wire interface (see “SSI Peripheral Configuration” on page 67). The serial data (SD) is received or transmitted in NRZ format, synchronized to either the rising or falling edge of the shift clock (SC). The choice of clock edge is defined by the Serial Mode Control bits (SM0, SM1). It should be noted that the transmission edge refers to the SC clock edge with which the SD changes. To avoid clock skew problems, the incoming serial input data is shifted in with the opposite edge.

When used together with one of the timer modulator or demodulator stages, the SSI must be set in the 8-bit synchronous mode 1.

In RX mode, as soon as the SSI is activated (SIR = 0), 8 shift clocks are generated and the incoming serial data is shifted into the shift register. This first telegram is automatically transferred into the receive buffer and the SRDY set to 0 indicating that the receive buffer contains valid data. At the same time an interrupt (if enabled) is generated. The SSI then continues shifting in the following 8-bit telegram. If, during this time the first telegram has been read by the controller, the second telegram will also be transferred in the same way into the receive buffer and the SSI will continue clocking in the next telegram. Should, however, the first telegram not have been read (SRDY = 1), then the SSI will stop, temporarily holding the second telegram in the shift register until a certain point of time when the controller is able to service the receive buffer. In this way no data is lost or overwritten.

Deactivating the SSI (SIR = 1) in mid-telegram will immediately stop the shift clock and latch the present contents of the shift register into the receive buffer. This can be used for clocking in a data telegram of less than 8 bits in length. Care should be taken to read out the final complete 8-bit data telegram of a multiple word message before deactivating the SSI (SIR = 1) and terminating the reception. After termination, the shift register contents will overwrite the receive buffer.

Figure 66. Example of 8-bit Synchronous Transmit Operation

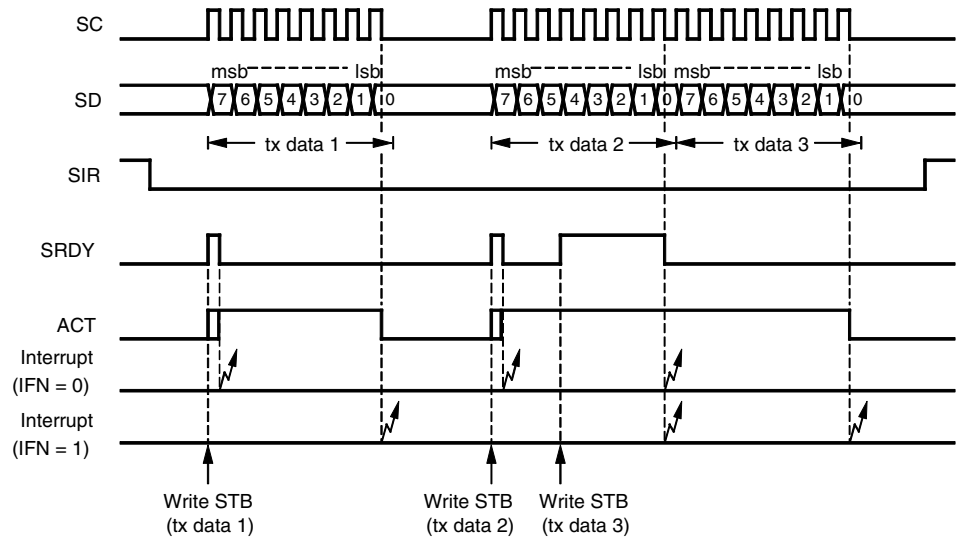
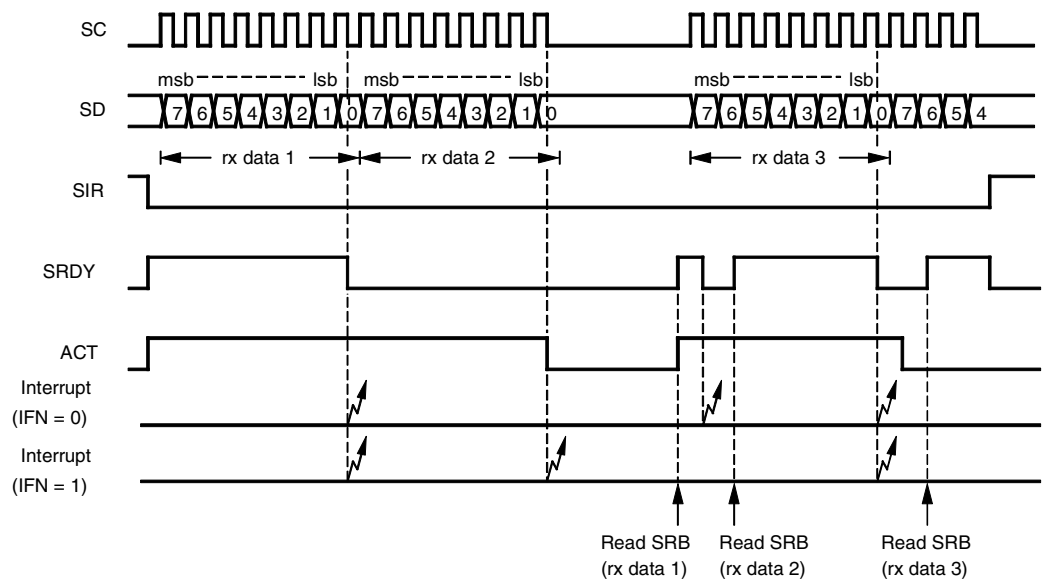


Figure 67. Example of 8-bit Synchronous Receive Operation



9-bit Shift Mode (MCL)

In the 9-bit shift mode, the SSI is able to handle the MCL protocol (described below). It always operates as an MCL master device, i.e., SC is always generated and output by the SSI. Both the MCL start and stop conditions are automatically generated whenever the SSI is activated or deactivated by the SIR bit. In accordance with the MCL protocol, the output data is always changed in the clock low phase and shifted in on the high phase.

Before activating the SSI ($SIR = 0$) and commencing an MCL dialog, the appropriate data direction for the first word must be set using the SDD control bit. The state of this bit controls the direction of the data port (BP43 or MCL_SD). Once started, the 8 data bits are, depending on the selected direction, either clocked into or out of the shift register. During the 9th clock period, the port direction is automatically switched over so that the corresponding acknowledge bit can be shifted out or read in. In transmit mode, the acknowledge bit received from the device is captured in the SSI Status Register (TACK) where it can be read by the controller. In receive mode, the state of the acknowledge bit to be returned to the device is predetermined by the SSI Status Register (RACK).

Changing the directional mode (TX/RX) should not be performed during the transfer of an MCL telegram. One should wait until the end of the telegram which can be detected using the SSI interrupt ($IFN = 1$) or by interrogating the ACT status.

Once started, a 9-bit telegram will always run to completion and will not be prematurely terminated by the SIR bit. So, if the SIR bit is set to '1' in telegram, the SSI will complete the current transfer and terminate the dialog with an MCL stop condition.

Figure 68. Example of MCL Transmit Dialog

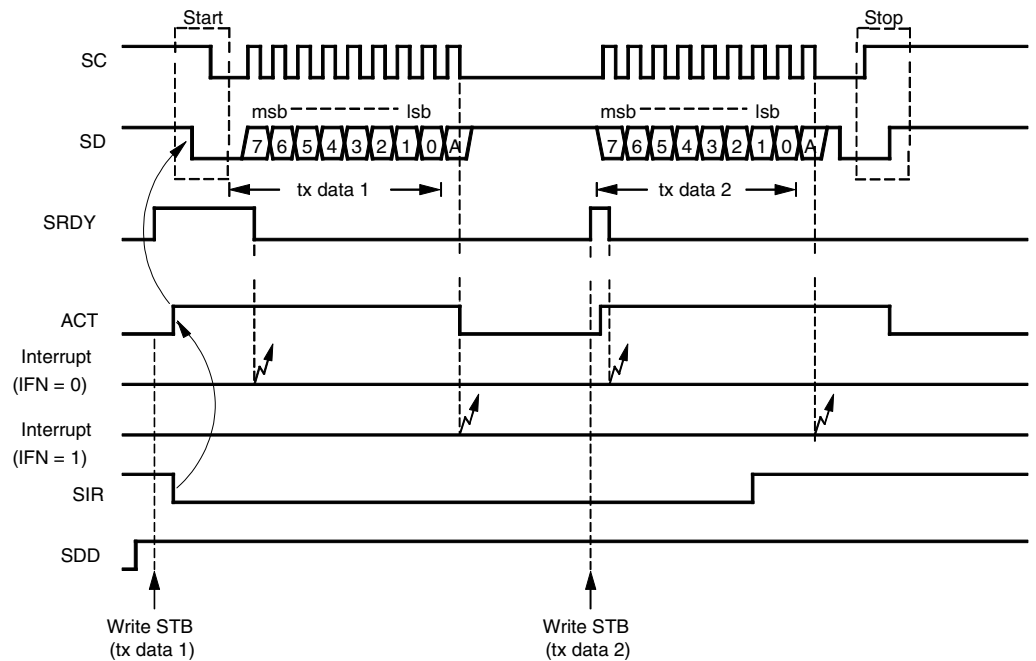
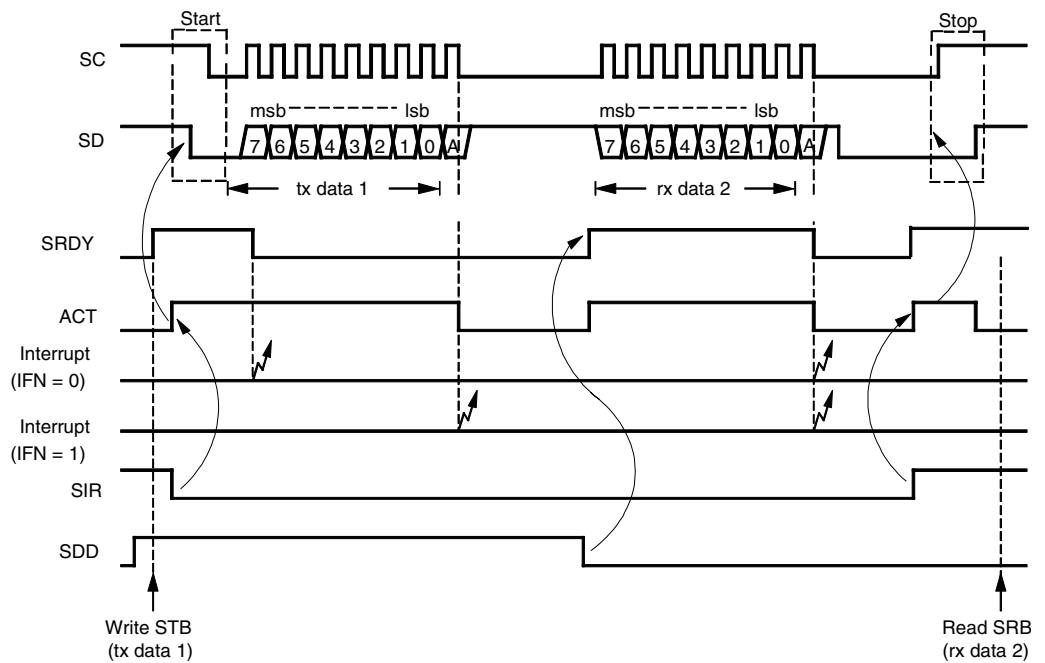


Figure 69. Example of MCL Receive Dialog



8-bit Pseudo MCL Mode

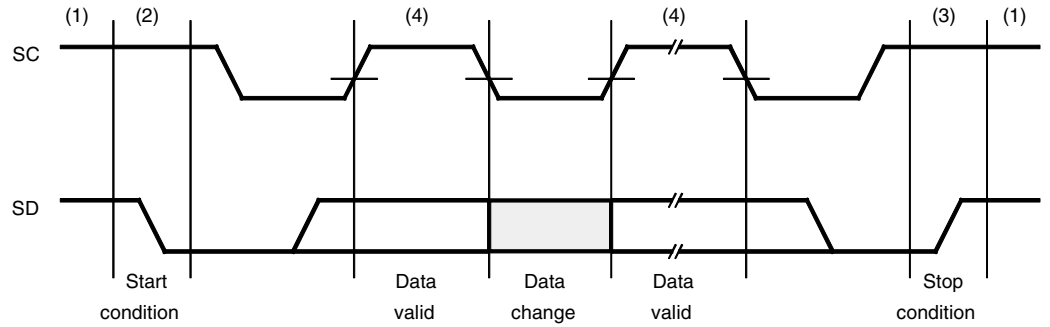
In this mode, the SSI exhibits all the typical MCL operational features except for the acknowledge bit which is never expected or transmitted.

MCL Bus Protocol

The MCL protocol constitutes a simple 2-wire bi-directional communication highway via which devices can communicate control and data information. Although the MCL protocol can support multi-master bus configurations, the SSI in MCL mode is intended for use purely as a master controller on a single master bus system. So all reference to multiple bus control and bus contention will be omitted at this point.

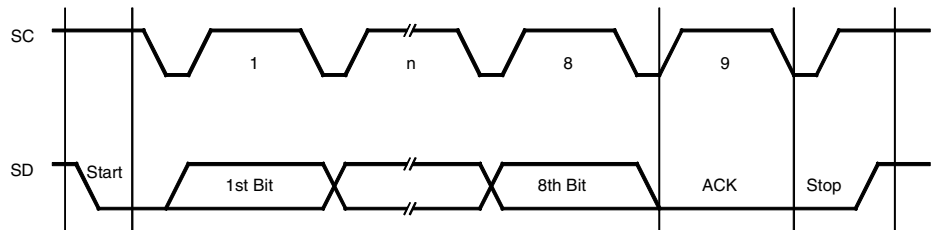
All data is packaged into 8-bit telegrams plus a trailing handshaking or acknowledge bit. Normally the communication channel is opened with a so-called start condition, which initializes all devices connected to the bus. This is then followed by a data telegram, transmitted by the master controller device. This telegram usually contains an 8-bit address code to activate a single slave device connected onto the MCL bus. Each slave receives this address and compares it with its own unique address. The addressed slave device, if ready to receive data, will respond by pulling the SD line low during the 9th clock pulse. This represents a so-called MCL acknowledge. The controller detecting this affirmative acknowledge then opens a connection to the required slave. Data can then be passed back and forth by the master controller, each 8-bit telegram being acknowledged by the respective recipient. The communication is finally closed by the master device and the slave device put back into standby by applying a stop condition onto the bus.

Figure 70. MCL Bus Protocol 1



- Bus not busy (1)** Both data and clock lines remain HIGH.
- Start data transfer (2)** A HIGH to LOW transition of the SD line while the clock (SC) is HIGH defines a START condition.
- Stop data transfer (3)** A LOW to HIGH transition of the SD line while the clock (SC) is HIGH defines a STOP condition.
- Data valid (4)** The state of the data line represents valid data when, after START condition, the data line is stable for the duration of the HIGH period of the clock signal.
- Acknowledge** All address and data words are serially transmitted to and from the device in eight-bit words. The receiving device returns a zero on the data line during the ninth clock cycle to acknowledge word receipt.

Figure 71. MCL Bus Protocol 2



SSI Interrupt

The SSI interrupt INT3 can be generated either by an SSI buffer register status (i.e., transmit buffer empty or receive buffer full), the end of SSI data telegram or on the falling edge of the SC/SD pins on Port 4 (see “Port 4 Control Register (P4CR) Byte Write” on page 38). SSI interrupt selection is performed by the Interrupt Function control bit (IFN). The SSI interrupt is usually used to synchronize the software control of the SSI and inform the controller of the present SSI status. The Port 4 interrupts can be used together with the SSI or, if the SSI itself is not required, as additional external interrupt sources. In either case this interrupt is capable of waking the controller out of sleep mode.

To enable and select the SSI relevant interrupts use the SSI interrupt mask (SIM) and the Interrupt Function (IFN) while the Port 4 interrupts are enabled by setting appropriate control bits in P4CR register.

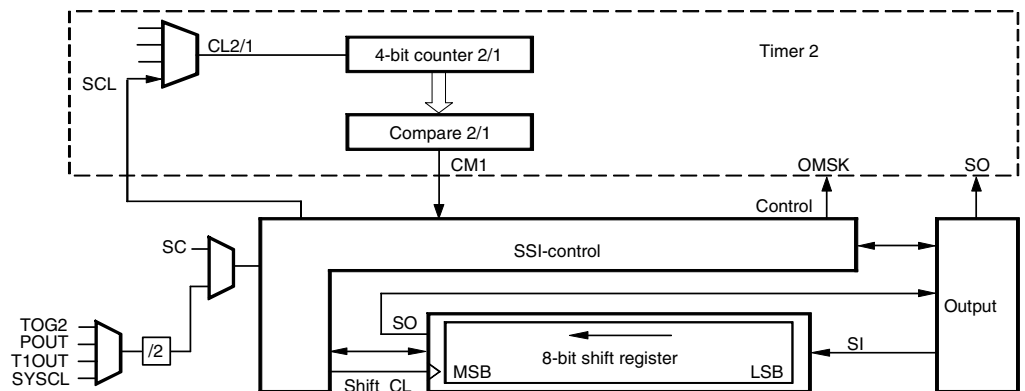
Modulation and Demodulation

If the shift register is used together with Timer 2 or Timer 3 for modulation or demodulation purposes, the 8-bit synchronous mode must be used. In this case, the unused Port 4 pins can be used as conventional bi-directional ports.

The modulation and demodulation stages, if enabled, operate as soon as the SSI is activated (SIR = 0) and cease when deactivated (SIR = 1).

Due to the byte-orientated data control, the SSI (when running normally) generates serial bit streams which are submultiples of 8 bits. An SSI output masking (OMSK) function permits; however, the generation of bit streams of any length. The OMSK signal is derived indirectly from the 4-bit prescaler of the Timer 2 and masks out a programmable number of unrequired trailing data bits during the shifting out of the final data word in the bit stream. The number of non-masked data bits is defined by the value pre-programmed in the prescaler compare register. To use output masking, the modulator stop mode bit (MSM) must be set to "0" before programming the final data word into the SSI transmit buffer. This in turn, enables shift clocks to the prescaler when this final word is shifted out. On reaching the compare value, the prescaler triggers the OMSK signal and all following data bits are blanked.

Figure 72. SSI Output Masking Function



Serial Interface Registers

Serial Interface Control Register 1 (SIC1)

Auxiliary register address: "9"hex

| Bit 3 | Bit 2 | Bit 1 | Bit 0 |
|------------|------------|-------------|-------------|
| SIR | SCD | SCS1 | SCS0 |

Reset value: 1111b

SIR **Serial Interface Reset**
 SIR = 1, SSI inactive
 SIR = 0, SSI active

SCD **Serial Clock Direction**
 SCD = 1, SC line used as output
 SCD = 0, SC line used as input

Note: This bit has to be set to "1" during the MCL mode and the Timer 3 mode 10 or 11

SCS1 **Serial Clock source Select bit 1**

SCS0 **Serial Clock source Select bit 0**

Note: with SCD = 0 the bits SCS1 and SCS0 are insignificant

Table 24. Serial Clock Source Select Bits

| SCS1 | SCS0 | Internal Clock for SSI |
|------|------|------------------------|
| 1 | 1 | YSCL/2 |
| 1 | 0 | T1OUT/2 |
| 0 | 1 | POUT/2 |
| 0 | 0 | TOG2/2 |

- In transmit mode (SDD = 1) shifting starts only if the transmit buffer has been loaded (SRDY = 1).
- Setting SIR bit loads the contents of the shift register into the receive buffer (synchronous 8-bit mode only).
- In MCL modes, writing a 0 to SIR generates a start condition and writing a 1 generates a stop condition.



Serial Interface Control Register 2 (SIC2)

Auxiliary register address: "A"hex

| | | | |
|------------|------------|------------|------------|
| Bit 3 | Bit 2 | Bit 1 | Bit 0 |
| MSM | SM1 | SM0 | SDD |

Reset value: 1111b

- MSM** **Modular Stop Mode**
MSM = 1, modulator stop mode disabled (output masking off)
MSM = 0, modulator stop mode enabled (output masking on) - used in modulation modes for generating bit streams which are not sub-multiples of 8 bits.
- SM1** **Serial Mode control bit 1**
- SM0** **Serial Mode control bit 0**

Table 25. Serial Mode Control Bits

| Mode | SM1 | SM0 | SSI Mode |
|------|-----|-----|--|
| 1 | 1 | 1 | 8-bit NRZ-Data changes with the rising edge of SC |
| 2 | 1 | 0 | 8-bit NRZ-Data changes with the falling edge of SC |
| 3 | 0 | 1 | 9-bit two-wire MCL mode |
| 4 | 0 | 0 | 8-bit two-wire MCL mode (no acknowledge) |

- SDD** **Serial Data Direction**
SDD = 1, transmit mode - SD line used as output (transmit data). SRDY is set by a transmit buffer write access.
SDD = 0, receive mode – SD line used as input (receive data). SRDY is set by a receive buffer read access

Note: SDD controls port directional control and defines the reset function for the SRDY-flag

Serial Interface Status and Control Register (SISC)

Primary register address: "A"hex

| | Bit 3 | Bit 2 | Bit 1 | Bit 0 | |
|-------|------------|-------------|------------|-------------|---------------------------|
| Write | MCL | RACK | SIM | IFN | Reset value: 1111b |
| Read | – | TACK | ACT | SRDY | Reset value: xxxxb |

| | |
|-------------|---|
| MCL | <p>Multi-Chip Link activation MCL = 1, multi-chip link disabled. This bit has to be set to "0" during transactions to/from the internal EEPROM MCL = 0, connects SC and SD additionally to the internal multi-chip link pads</p> |
| RACK | <p>Receive ACKnowledge status/control bit for MCL mode RACK = 0, transmit acknowledge in next receive telegram RACK = 1, transmit no acknowledge in last receive telegram</p> |
| TACK | <p>Transmit ACKnowledge status/control bit for MCL mode TACK = 0, acknowledge received in last transmit telegram TACK = 1, no acknowledge received in last transmit telegram</p> |
| SIM | <p>Serial Interrupt Mask SIM = 1, disable interrupts SIM = 0, enable serial interrupt. An interrupt is generated.</p> |
| IFN | <p>Interrupt FuNction IFN = 1, the serial interrupt is generated at the end of telegram IFN = 0, the serial interrupt is generated when the SRDY goes low (i.e., buffer becomes empty/full in transmit/receive mode)</p> |
| SRDY | <p>Serial interface buffer ReaDY status flag SRDY = 1, in receive mode: receive buffer empty in transmit mode: transmit buffer full SRDY = 0, in receive mode: receive buffer full in transmit mode: transmit buffer empty</p> |
| ACT | <p>Transmission ACTive status flag ACT = 1, transmission is active, i.e., serial data transfer. Stop or start conditions are currently in progress. ACT = 0, transmission is inactive</p> |

Serial Transmit Buffer (STB) – Byte Write

Primary register address: "9"hex

| | | | | | |
|--------------------|-------|-------|-------|-------|--------------------|
| First write cycle | Bit 3 | Bit 2 | Bit 1 | Bit 0 | Reset value: xxxxb |
| Second write cycle | Bit 7 | Bit 6 | Bit 5 | Bit 4 | Reset value: xxxxb |

The STB is the transmit buffer of the SSI. The SSI transfers the transmit buffer into the shift register and starts shifting with the most significant bit.

Serial Receive Buffer (SRB) – Byte Read

Primary register address: "9"hex

| | | | | | |
|-------------------|-------|-------|-------|-------|--------------------|
| First read cycle | Bit 7 | Bit 6 | Bit 5 | Bit 4 | Reset value: xxxxb |
| Second read cycle | Bit 3 | Bit 2 | Bit 1 | Bit 0 | Reset value: xxxxb |

The SRB is the receive buffer of the SSI. The shift register clocks serial data in (most significant bit first) and loads content into the receive buffer when complete telegram has been received.

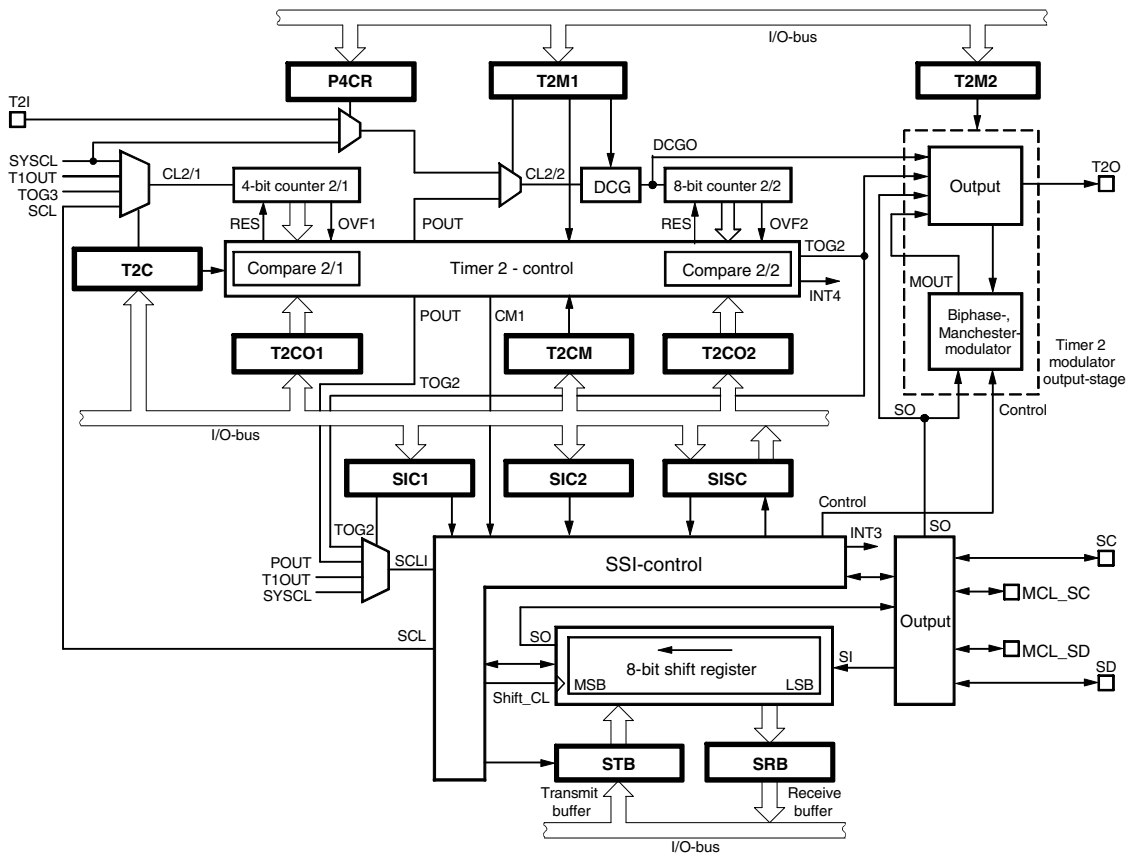
Combination Modes

The UTCM consists of two timers (Timer 2 and Timer 3) and a serial interface. There is a multitude of modes in which the timers and serial interface can work together.

The 8-bit wide serial interface operates as shift register for modulation and demodulation. The modulator and demodulator units work together with the timers and shift the data bits into or out of the shift register.

Combination Mode Timer 2 and SSI

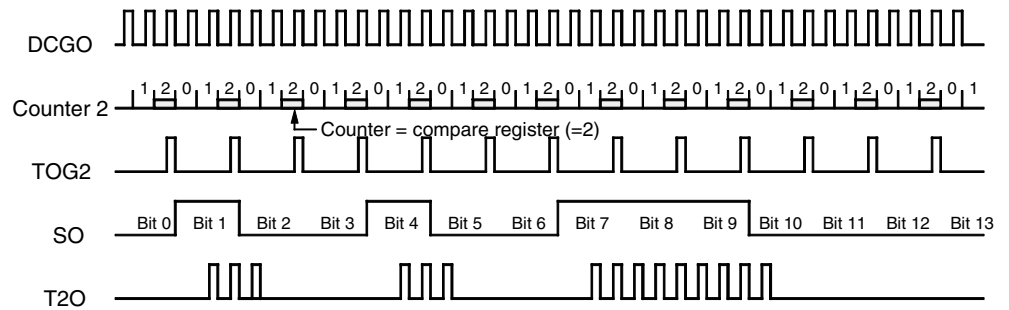
Figure 73. Combination Timer 2 and SSI



Combination Mode 1: Burst Modulation

- SSI mode 1: 8-bit NRZ and internal data SO output to the Timer 2 modulator stage
- Timer 2 mode 1, 2, 3 or 4: 8-bit compare counter with 4-bit programmable prescaler and DCG
- Timer 2 output mode 3: Duty cycle burst generator

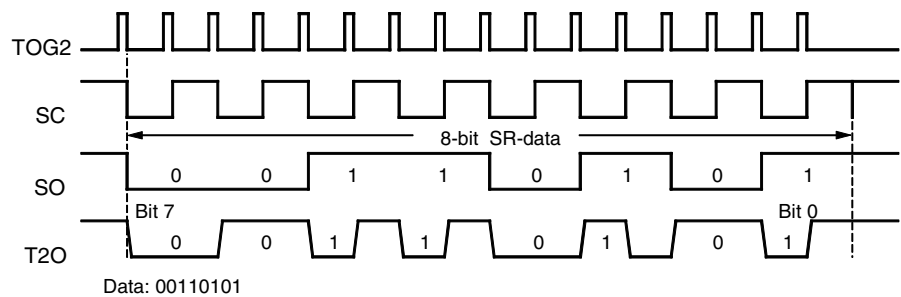
Figure 74. Carrier Frequency Burst Modulation with the SSI Internal Data Output



Combination Mode 2: Biphase Modulation 1

- SSI mode 1: 8-bit shift register internal data output (SO) to the Timer 2 modulator stage
- Timer 2 mode 1, 2, 3 or 4: 8-bit compare counter with 4-bit programmable prescaler
- Timer 2 output mode 4: The modulator 2 of Timer 2 modulates the SSI internal data output to Biphase code

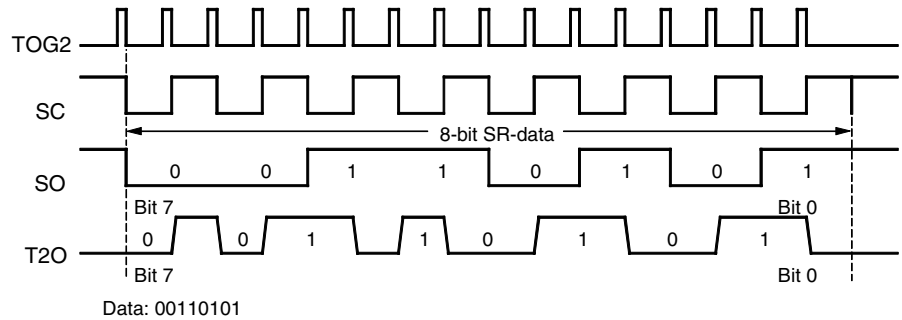
Figure 75. Biphase Modulation 1



**Combination Mode 3:
Manchester Modulation 1**

- SSI mode 1: 8-bit shift register internal data output (SO) to the Timer 2 modulator stage
- Timer 2 mode 1, 2, 3 or 4: 8-bit compare counter with 4-bit programmable prescaler
- Timer 2 output mode 5: The modulator 2 of Timer 2 modulates the SSI internal data output to Manchester code

Figure 76. Manchester Modulation 1

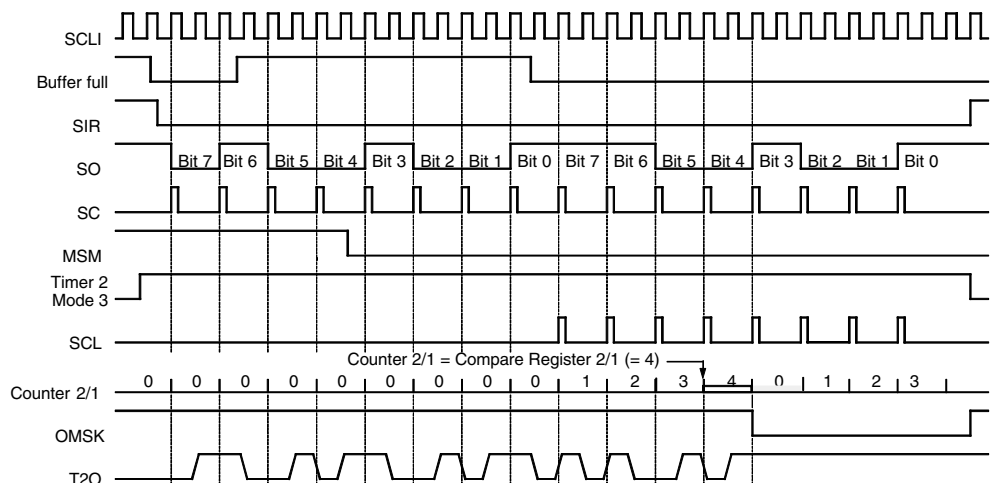


**Combination Mode 4:
Manchester Modulation 2**

- SSI mode 1: 8-bit shift register internal data output (SO) to the Timer 2 modulator stage
- Timer 2 mode 3: 8-bit compare counter and 4-bit prescaler
- Timer 2 output mode 5: The modulator 2 of Timer 2 modulates the SSI data output to Manchester code

The 4-bit stage can be used as prescaler for the SSI to generate the stop signal for modulator 2. The SSI has a special mode to supply the prescaler with the shift clock. The control output signal (OMSK) of the SSI is used as stop signal for the modulator. Figure 77 on page 80 shows an example for a 12-bit Manchester telegram.

Figure 77. Manchester Modulation 2

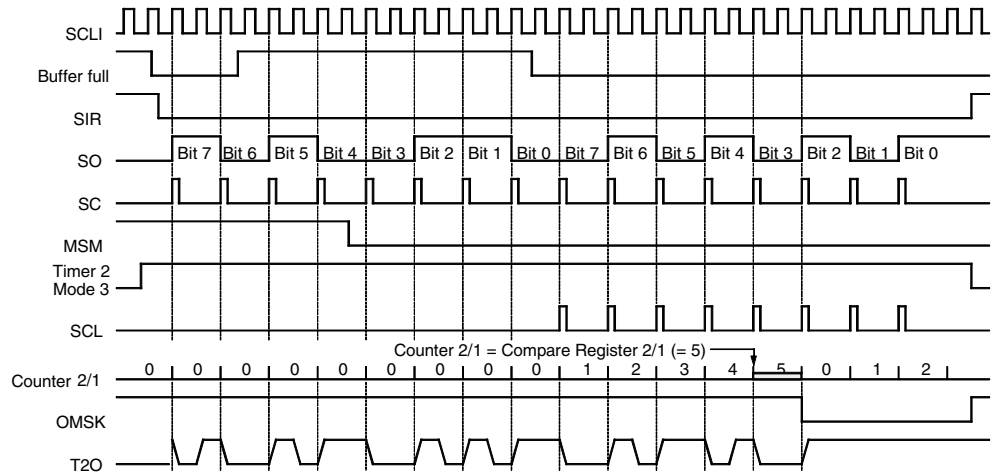


Combination Mode 5: Biphase Modulation 2

- SSI mode 1: 8-bit shift register internal data output (SO) to the Timer 2 modulator stage
- Timer 2 mode 3: 8-bit compare counter and 4-bit prescaler
- Timer 2 output mode 4: The modulator 2 of Timer 2 modulates the SSI data output to Biphase code

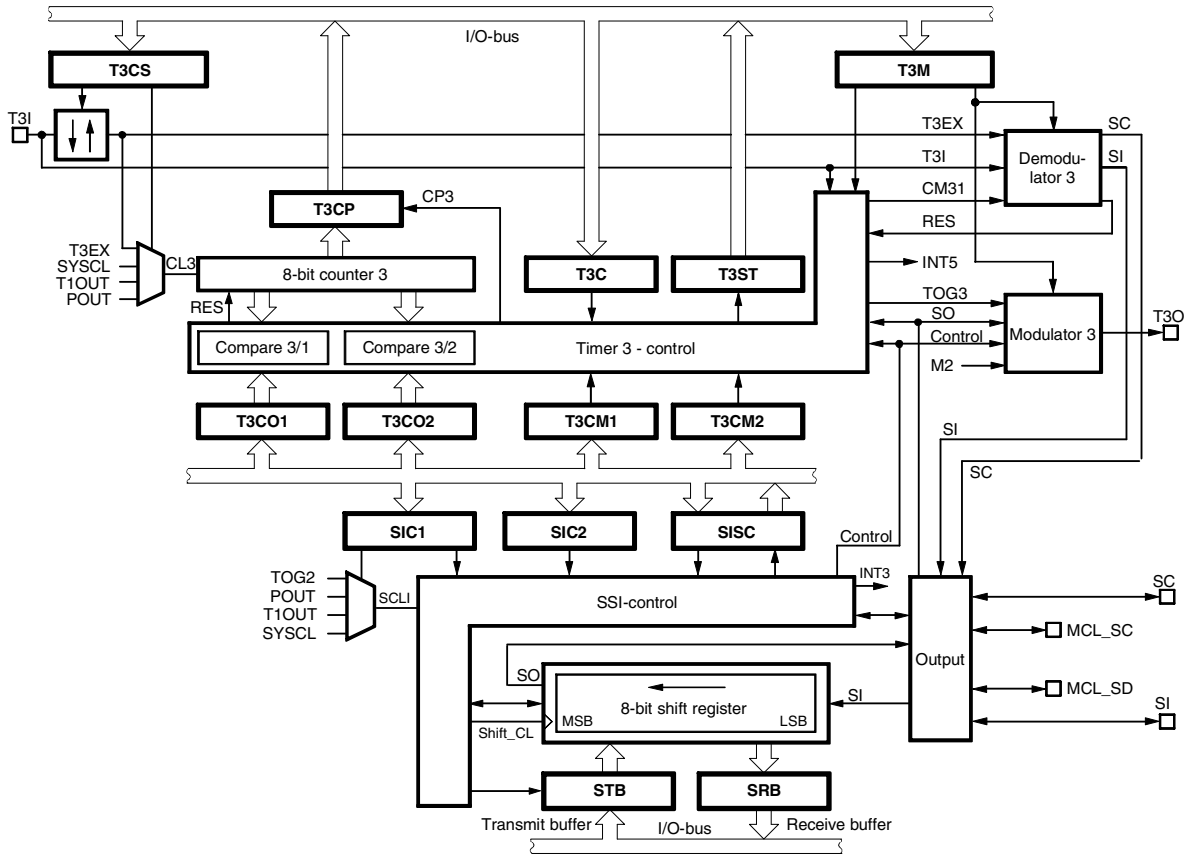
The 4-bit stage can be used as prescaler for the SSI to generate the stop signal for modulator 2. The SSI has a special mode to supply the prescaler via the shift clock. The control output signal (OMSK) of the SSI is used as stop signal for the modulator. Figure 73 on page 78 shows an example for a 13-bit Biphase telegram.

Figure 78. Biphase Modulation 2



Combination Mode Timer 3 and SSI

Figure 79. Combination Timer 3 and SSI

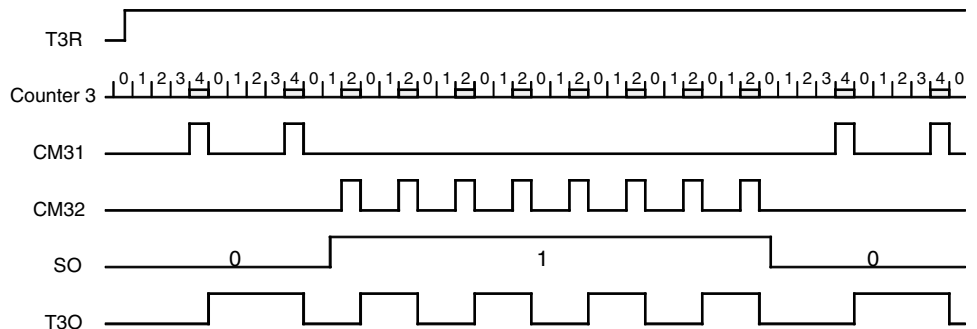


Combination Mode 6: FSK Modulation

SSI mode 1: 8-bit shift register internal data output (SO) to the Timer 3
 Timer 3 mode 8: FSK modulation with shift register data (SO)

The two compare registers are used to generate two varied time intervals. The SSI data output selects which compare register is used for the output frequency generation. A "0" level at the SSI data output enables the compare register 1 and a "1" level enables the compare register 2. The compare and compare mode registers must be programmed to generate the two frequencies via the output toggle flip-flop. The SSI can be supplied with the toggle signal of Timer 2 or any other clock source. The Timer 3 counter is driven by an internal or external clock source.

Figure 80. FSK Modulation



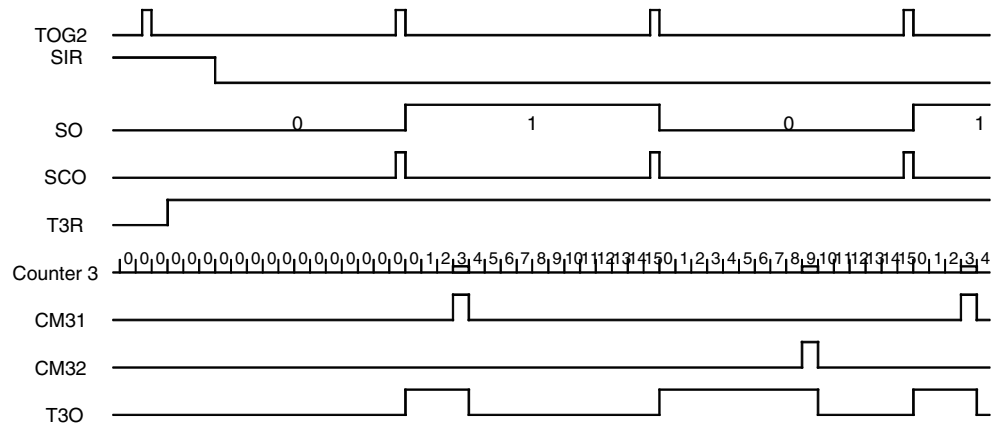
Combination Mode 7: Pulse-width Modulation (PWM)

SSI mode 1: 8-bit shift register internal data output (SO) to the Timer 3

Timer 3 mode 9: Pulse-width modulation with the shift register data (SO)

The two compare registers are used to generate two varied time intervals. The SSI data output selects which compare register is used for the output pulse generation. In this mode, both compare and compare mode registers must be programmed to generate the two pulse width. It is also useful to enable the single-action mode for extreme duty cycles. Timer 2 is used as baudrate generator and for the triggered restart of Timer 3. The SSI must be supplied with the toggle signal of Timer 2. The counter is driven by an internal or external clock source.

Figure 81. Pulse-width Modulation



Combination Mode 8: Manchester Demodulation/Pulse-width Demodulation

SSI mode 1: 8-bit shift register internal data input (SI) and the internal shift clock (SCI) from the Timer 3

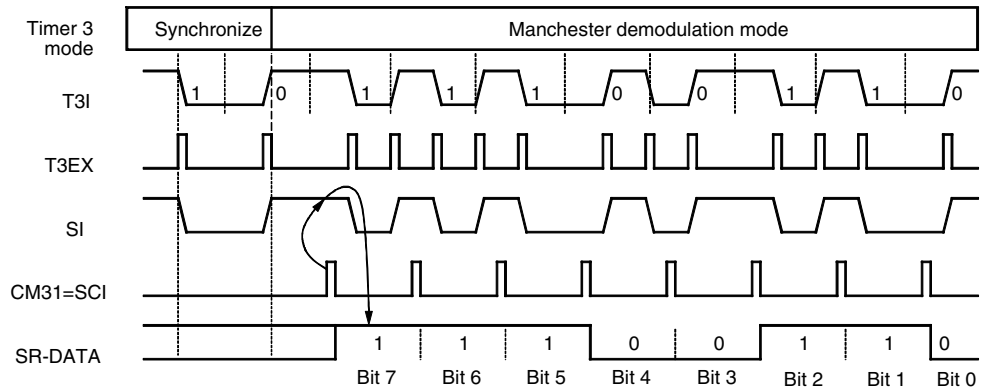
Timer 3 mode 10: Manchester demodulation/pulse-width demodulation with Timer 3

For Manchester demodulation, the edge detection stage must be programmed to detect each edge at the input. These edges are evaluated by the demodulator stage. The timer stage is used to generate the shift clock for the SSI. A compare register 1 match event defines the correct moment for shifting the state from the input T3I as the decoded bit into shift register. After that, the demodulator waits for the next edge to synchronize the timer by a reset for the next bit. The compare register 2 can be used to detect a time error and handle it with an interrupt routine.

Before activating the demodulator mode the timer and the demodulator stage must be synchronized with the bitstream. The Manchester code timing consists of parts with the half bitlength and the complete bitlength. A synchronization routine must start the demodulator after an interval with the complete bitlength.

The counter can be driven by any internal clock source. The output T3O can be used by Timer 2 in this mode. The Manchester decoder can also be used for pulse-width demodulation. The input must be programmed to detect the positive edge. The demodulator and timer must be synchronized with the leading edge of the pulse. After that a counter match with the compare register 1 shifts the state at the input T3I into the shift register. The next positive edge at the input restarts the timer.

Figure 82. Manchester Demodulation



**Combination Mode 9:
Biphase Demodulation**

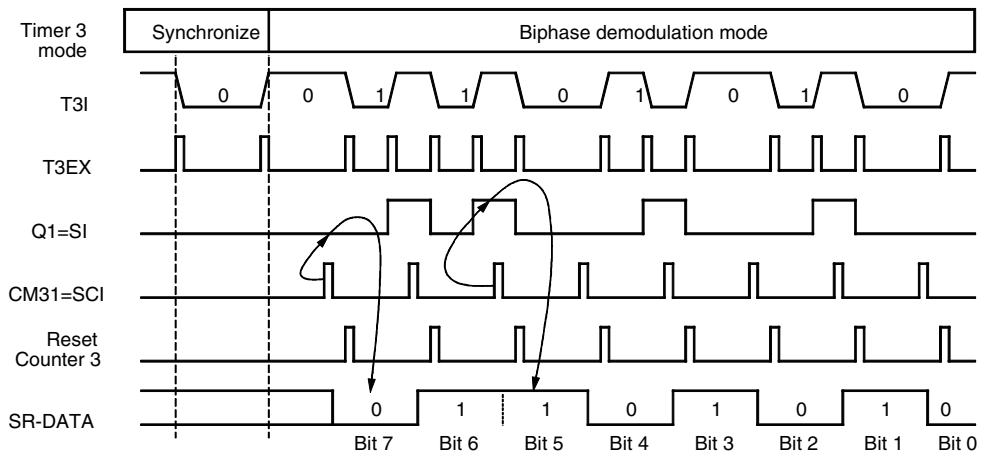
SSI mode 1: 8-bit shift register internal data input (SI) and the internal shift clock (SCI) from the Timer 3

Timer 3 mode 11: Biphase demodulation with Timer 3

In the Biphase demodulation mode the timer works like in the Manchester demodulation mode. The difference is that the bits are decoded with the toggle flip-flop. This flip-flop samples the edge in the middle of the bitframe and the compare register 1 match event shifts the toggle flip-flop output into shift register. Before activating the demodulation the timer and the demodulation stage must be synchronized with the bitstream. The Biphase code timing consists of parts with the half bitlength and the complete bitlength. The synchronization routine must start the demodulator after an interval with the complete bitlength.

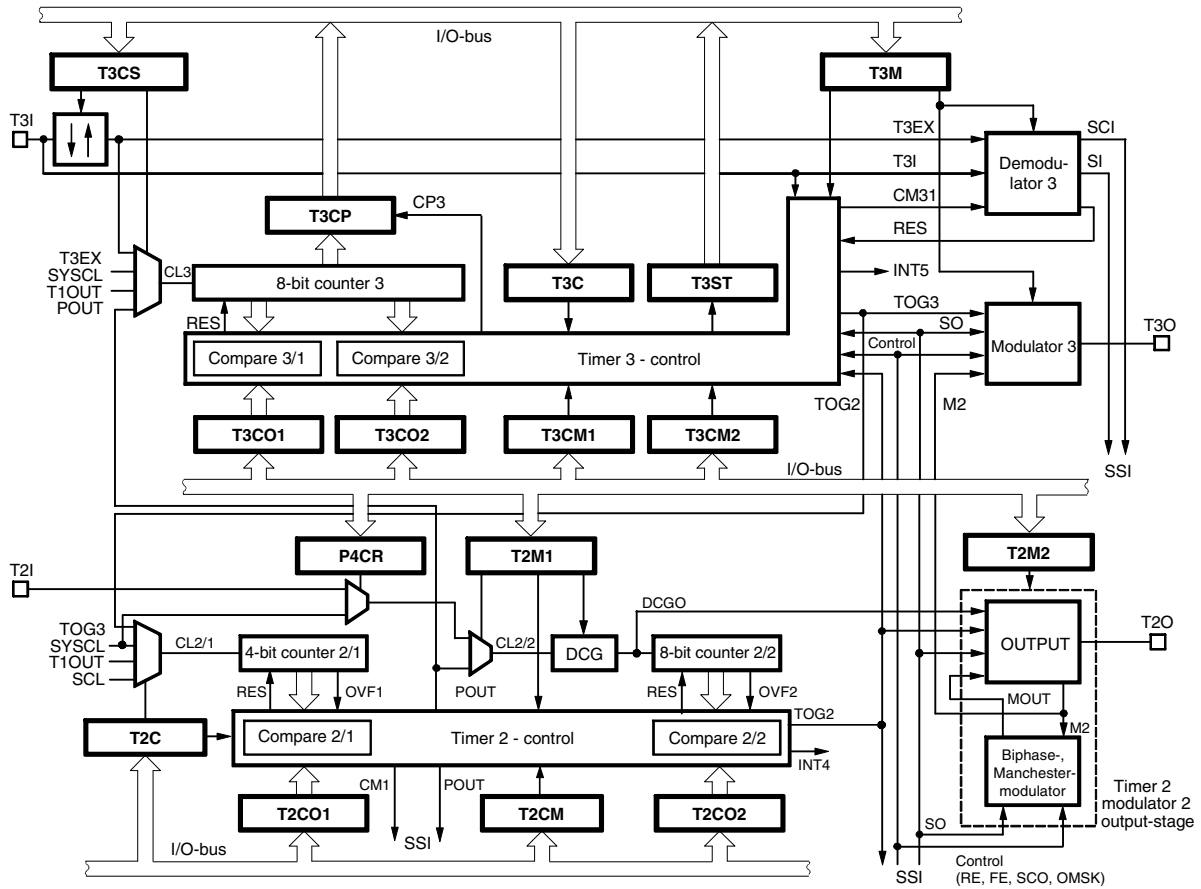
The counter can be driven by any internal clock source and the output T3O can be used by Timer 2 in this mode.

Figure 83. Biphase Demodulation



Combination Mode Timer 2 and Timer 3

Figure 84. Combination Timer 3 and Timer 2



**Combination Mode 10:
Frequency Measurement or
Event Counter with Time Gate**

- Timer 2 mode 1/2: 12-bit compare counter/8-bit compare counter and 4-bit prescaler
- Timer 2 output mode 1/6: Timer 2 compare match toggles (TOG2) to the Timer 3
- Timer 3 mode 3: Timer/Counter; internal trigger restart and internal capture (with Timer 2 TOG2-signal)

The counter is driven by an external (T3I) clock source. The output signal (TOG2) of Timer 2 resets the counter. The counter value before reset is saved in the capture register. If single-action mode is activated for one or both compare registers, the trigger signal restarts also the single actions. This mode can be used for frequency measurements or as event counter with time gate.

Figure 85. Frequency Measurement

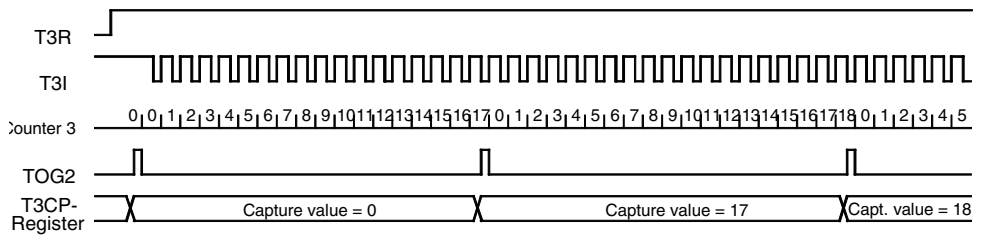
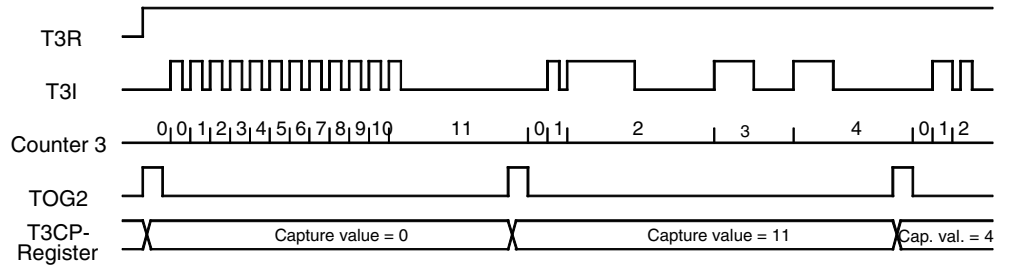


Figure 86. Event Counter with Time Gate

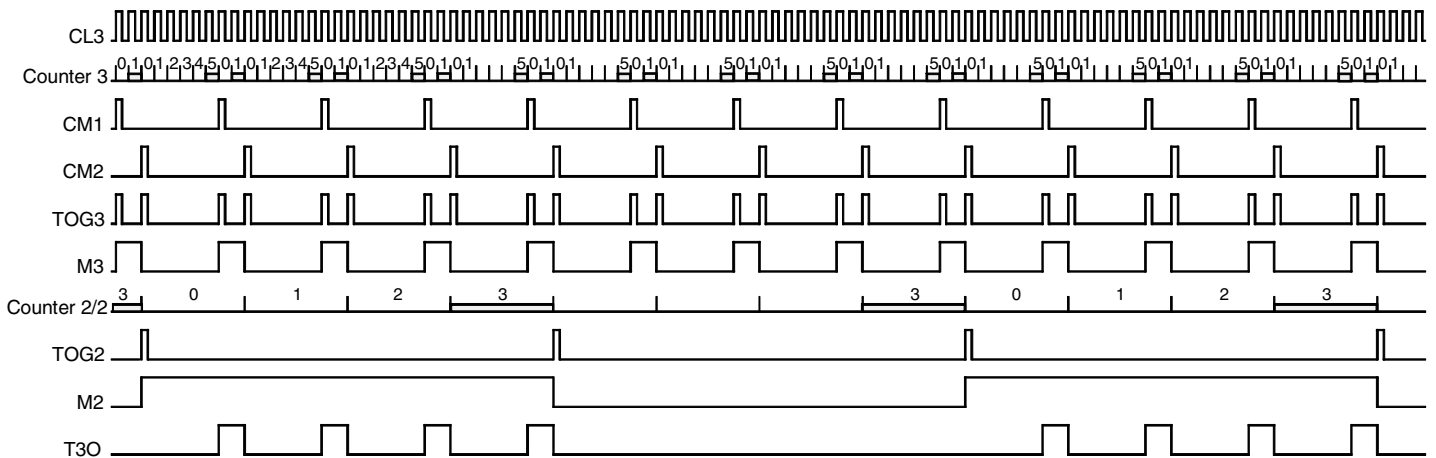


**Combination Mode 11:
Burst Modulation 1**

- Timer 2 mode 1/2: 12-bit compare counter/8-bit compare counter and 4-bit prescaler
- Timer 2 output mode 1/6: Timer 2 compare match toggles the output flip-flop (M2) to the Timer 3
- Timer 3 mode 6: Carrier frequency burst modulation controlled by Timer 2 output (M2)

The Timer 3 counter is driven by an internal or external clock source. Its compare and compare mode registers must be programmed to generate the carrier frequency with the output toggle flip-flop. The output toggle flip-flop (M2) of Timer 2 is used to enable and disable the Timer 3 output. The Timer 2 can be driven by the toggle output signal of Timer 3 (TOG3) or any other clock source.

Figure 87. Burst Modulation 1



Combination Mode Timer 2, Timer 3 and SSI

Figure 88. Combination Timer 2, Timer 3 and SSI

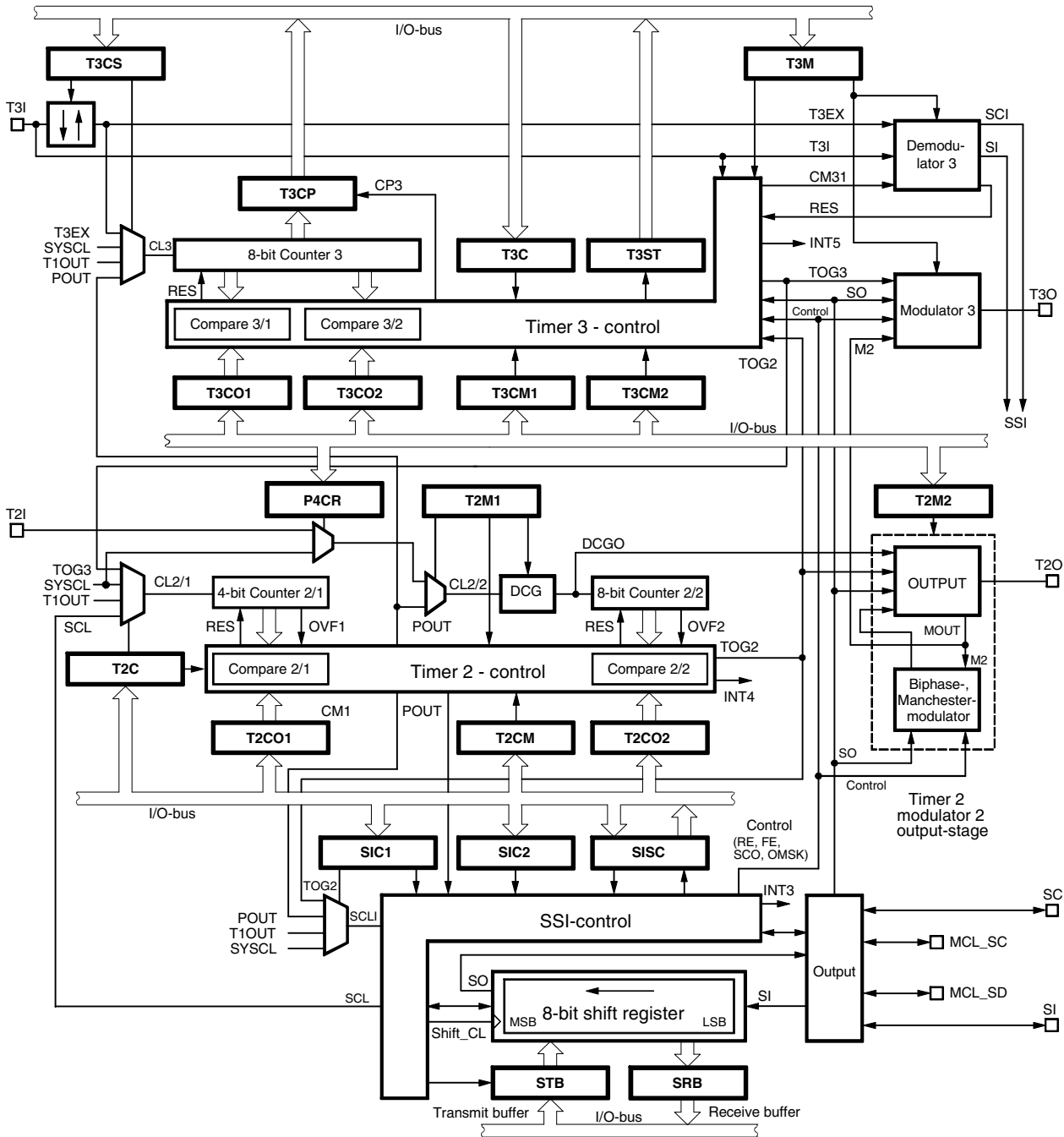
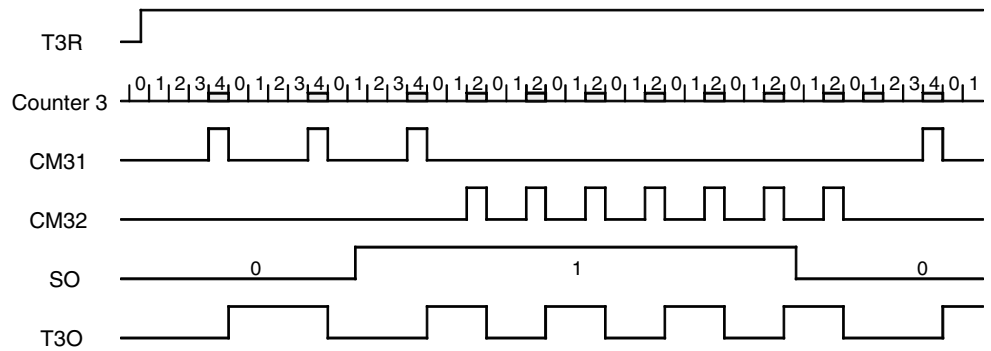


Figure 90. FSK Modulation



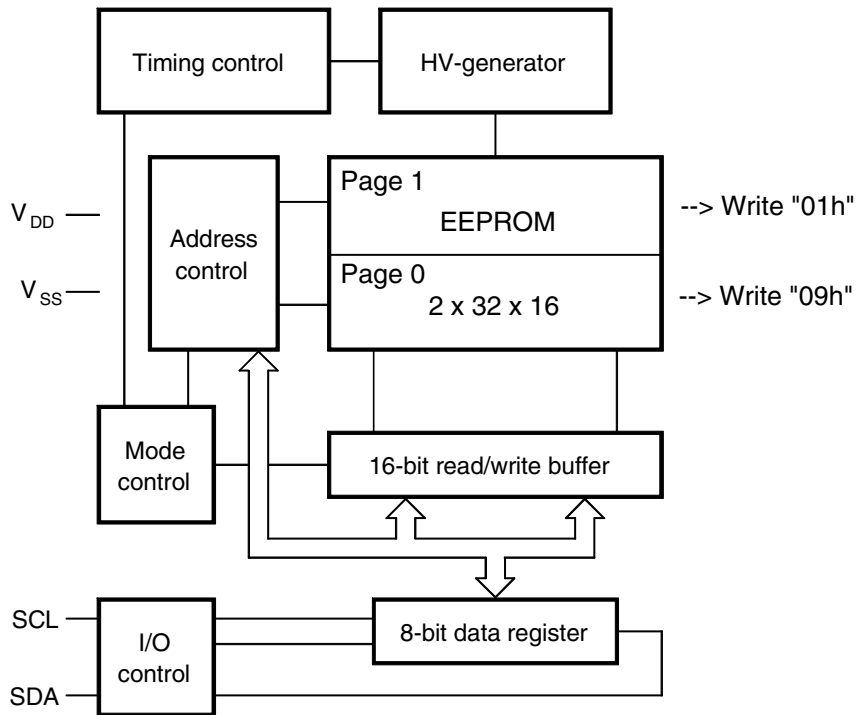
Data EEPROM

The internal data EEPROM offers 2 pages of 512 bits each. Both pages are organized as 32×16 -bit words. The programming voltage as well as the write cycle timing is generated on chip. To be compatible with the ROM parts, two restrictions have to be taken into account:

- To use the same EEPROM page as with the ROM parts the application software has to write the MCL-command "09h" to the EEPROM. This command has no effect for the microcontroller if it is left inside the HEX-file for the ROM version.
- Data handling for read and write is performed using the serial interface MCL.

The page select is performed by either writing "01h" (page 1) or "09h" (page 0) to the EEPROM.

Figure 91. Data EEPROM



Serial Interface

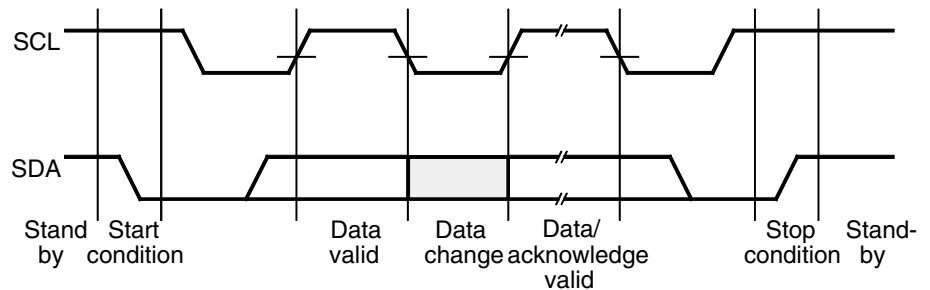
The EEPROM uses a two-wire serial interface (TWI) to the microcontroller for read and write accesses to the data. It is considered to be a slave in all these applications. That means, the controller has to be the master that initiates the data transfer and provides the clock for transmit and receive operations.

The serial interface is controlled by the microcontroller which generates the serial clock and controls the access via the SCL-line and SDA-line. SCL is used to clock the data into and out of the device. SDA is a bi-directional line that is used to transfer data into and out of the device. The following protocol is used for the data transfers.

Serial Protocol

- Data states on the SDA line changing only while SCL is low.
- Changes on the SDA line while SCL is high are interpreted as START or STOP condition.
- A START condition is defined as high to low transition on the SDA line while the SCL-line is high.
- A STOP condition is defined as low to high transition on the SDA line while the SCL line is high.
- Each data transfer must be initialized with a START condition and terminated with a STOP condition. The START condition wakes the device from standby mode and the STOP condition returns the device to standby mode.
- A receiving device generates an acknowledge (A) after the reception of each byte. This requires an additional clock pulse, generated by the master. If the reception was successful the receiving master or slave device pulls down the SDA line during that clock cycle. If an acknowledge is not detected (N) by the interface in transmit mode, it will terminate further data transmissions and go into receive mode. A master device must finish its read operation by a non-acknowledge and then send a stop condition to bring the device into a known state.

Figure 92. MCL Protocol



- Before the START condition and after the STOP condition the device is in standby mode and the SDA line is switched as input with pull-up resistor.
- The control byte that follows the START condition determines the following operation. It consists of the 5-bit row address, 2 mode control bits and the READ/NWRITE bit that is used to control the direction of the following transfer. A "0" defines a write access and a "1" a read access.

Control Byte Format

| | | | | | | | | | |
|-------|----------------|----|----|----|----|-------------------|----|--------------|------|
| | EEPROM Address | | | | | Mode Control Bits | | Read/ NWrite | |
| Start | A4 | A3 | A2 | A1 | A0 | C1 | C0 | R/NW | Ackn |

| | | | | | | | |
|-------|--------------|------|-----------|------|-----------|------|------|
| Start | Control byte | Ackn | Data byte | Ackn | Data byte | Ackn | Stop |
|-------|--------------|------|-----------|------|-----------|------|------|

EEPROM

The EEPROM has a size of 2×512 bits and is organized as 32×16 -bit matrix each. To read and write data to and from the EEPROM the serial interface must be used. The interface supports one and two byte write accesses and one to n-byte read accesses to the EEPROM.

EEPROM – Operating Modes

The operating modes of the EEPROM are defined via the control byte. The control byte contains the row address, the mode control bits and the read/not-write bit that is used to control the direction of the following transfer. A "0" defines a write access and a "1" a read access. The five address bits select one of the 32 rows of the EEPROM memory to be accessed. For all accesses the complete 16-bit word of the selected row is loaded into a buffer. The buffer must be read or overwritten via the serial interface. The two mode control bits C1 and C2 define in which order the accesses to the buffer are performed: High byte – low byte or low byte – high byte. The EEPROM also supports autoincrement and autodecrement read operations. After sending the start address with the corresponding mode, consecutive memory cells can be read row by row without transmission of the row addresses.

Two special control bytes enable the complete initialization of EEPROM with "0" or with "1".

Write Operations

The EEPROM permits 8-bit and 16-bit write operations. A write access starts with the START condition followed by a write control byte and one or two data bytes from the master. It is completed via the STOP condition from the master after the acknowledge cycle.

The programming cycle consists of an erase cycle (write "zeros") and the write cycle (write "ones"). Both cycles together take about 10 ms.

Acknowledge Polling

If the EEPROM is busy with an internal write cycle, all inputs are disabled and the EEPROM will not acknowledge until the write cycle is finished. This can be used to detect the end of the write cycle. The master must perform acknowledge polling by sending a start condition followed by the control byte. If the device is still busy with the write cycle, it will not return an acknowledge and the master has to generate a stop condition or perform further acknowledge polling sequences. If the cycle is complete, it returns an acknowledge and the master can proceed with the next read or write cycle.

Write One Data Byte

| | | | | | |
|-------|--------------|---|-------------|---|------|
| Start | Control byte | A | Data byte 1 | A | Stop |
|-------|--------------|---|-------------|---|------|

Write Two Data Bytes

| | | | | | | | |
|-------|--------------|---|-------------|---|-------------|---|------|
| Start | Control byte | A | Data byte 1 | A | Data byte 2 | A | Stop |
|-------|--------------|---|-------------|---|-------------|---|------|

Write Control Byte Only

| | | | |
|-------|--------------|---|------|
| Start | Control byte | A | Stop |
|-------|--------------|---|------|

Write Control Bytes

| | MSB | | | | | LSB | | |
|-----------------------------|-------------|----|----|----|----|-----|----|------|
| Write low byte first | A4 | A3 | A2 | A1 | A0 | C1 | C0 | R/NW |
| | Row address | | | | | 0 | 1 | 0 |

| | | |
|-------------------|-------|-------|
| Byte order | LB(R) | HB(R) |
|-------------------|-------|-------|

| | MSB | | | | | LSB | | |
|------------------------------|-------------|----|----|----|----|-----|----|------|
| Write high byte first | A4 | A3 | A2 | A1 | A0 | C1 | C0 | R/NW |
| | Row address | | | | | 1 | 0 | 0 |

| | | |
|-------------------|-------|-------|
| Byte order | HB(R) | LB(R) |
|-------------------|-------|-------|

A -> acknowledge; HB: high byte; LB: low byte; R: row address

Read Operations

The EEPROM allows byte-, word- and current address read operations. The read operations are initiated in the same way as write operations. Every read access is initiated by sending the START condition followed by the control byte which contains the address and the read mode. When the device has received a read command, it returns an acknowledge, loads the addressed word into the read/write buffer and sends the selected data byte to the master. The master has to acknowledge the received byte if it wants to proceed the read operation. If two bytes are read out from the buffer the device increments respectively decrements the word address automatically and loads the buffer with the next word. The read mode bits determines if the low or high byte is read first from the buffer and if the word address is incremented or decremented for the next read access. If the memory address limit is reached, the data word address will roll over and the sequential read will continue. The master can terminate the read operation after every byte by not responding with an acknowledge (N) and by issuing a stop condition.

Read One Data Byte

| | | | | | |
|-------|--------------|---|-------------|---|------|
| Start | Control byte | A | Data byte 1 | N | Stop |
|-------|--------------|---|-------------|---|------|

Read Two Data Bytes

| | | | | | | | |
|-------|--------------|---|-------------|---|-------------|---|------|
| Start | Control byte | A | Data byte 1 | A | Data byte 2 | N | Stop |
|-------|--------------|---|-------------|---|-------------|---|------|

Read n Data Bytes

| | | | | | | | | | | |
|-------|--------------|---|-------------|---|-------------|---|---|-------------|---|------|
| Start | Control byte | A | Data byte 1 | A | Data byte 2 | A | - | Data byte n | N | Stop |
|-------|--------------|---|-------------|---|-------------|---|---|-------------|---|------|

Read Control Bytes

| | | | | | | | | |
|---|-------------|----|----|----|----|-----|----|------|
| Read low byte first, address increment | MSB | | | | | LSB | | |
| | A4 | A3 | A2 | A1 | A0 | C1 | C0 | R/NW |
| | Row address | | | | | 0 | 1 | 1 |

| | | | | | | | |
|-------------------|-------|-------|---------|---------|---|---------|---------|
| Byte order | LB(R) | HB(R) | LB(R+1) | HB(R+1) | – | LB(R+n) | HB(R+n) |
|-------------------|-------|-------|---------|---------|---|---------|---------|

| | | | | | | | | |
|--|-------------|----|----|----|----|-----|----|------|
| Read high byte first, address decrement | MSB | | | | | LSB | | |
| | A4 | A3 | A2 | A1 | A0 | C1 | C0 | R/NW |
| | Row address | | | | | 1 | 0 | 1 |

| | | | | | | | |
|-------------------|-------|-------|---------|---------|---|---------|---------|
| Byte order | HB(R) | LB(R) | HB(R-1) | LB(R-1) | – | HB(R-n) | LB(R-n) |
|-------------------|-------|-------|---------|---------|---|---------|---------|

A -> acknowledge, N -> no acknowledge; HB: high byte; LB: low byte, R: row address

Initialization the Serial Interface to the EEPROM

To prevent unexpected behavior of the EEPROM and its interface it is good practice to use an initialization sequence after any reset of the circuit. This is performed by writing:

| | | | |
|-------|-------|---|------|
| Start | "FFh" | A | Stop |
|-------|-------|---|------|

to the serial interface. If the EEPROM acknowledges this sequence it is in a defined state. Maybe it is necessary to perform this sequence twice.

Absolute Maximum Ratings: Microcontroller Block

Stresses beyond those listed under “Absolute Maximum Ratings” may cause permanent damage to the device. This is a stress rating only and functional operation of the device at these or any other conditions beyond those indicated in the operational sections of this specification is not implied. Exposure to absolute maximum rating conditions for extended periods may affect device reliability.

All inputs and outputs are protected against high electrostatic voltages or electric fields. However, precautions to minimize the build-up of electrostatic charges during handling are recommended. Reliability of operation is enhanced if unused inputs are connected to an appropriate logic voltage level (e.g., V_{DD}).

Voltages are given relative to V_{SS}

| Parameters | Symbol | Value | Unit |
|--|-------------|--|------|
| Supply voltage | V_{DD} | -0.3 to + 6.5 | V |
| Input voltage (on any pin) | V_{IN} | $V_{SS} - 0.3 \leq V_{IN} \leq V_{DD} + 0.3$ | V |
| Output short circuit duration | t_{short} | Indefinite | s |
| Operating temperature range | T_{amb} | -40 to +125 | °C |
| Storage temperature range | T_{stg} | -40 to +150 | °C |
| Soldering temperature ($t \leq 10$ s) | T_{sld} | 260 | °C |

Thermal Resistance

| Parameter | Symbol | Value | Unit |
|--------------------|------------|-------|------|
| Thermal resistance | R_{thJA} | 135 | K/W |

DC Operating Characteristics

$V_{SS} = 0$ V, $T_{amb} = -40^{\circ}$ C to $+125^{\circ}$ C unless otherwise specified.

| Parameters | Test Conditions | Symbol | Min. | Typ. | Max. | Unit |
|--|--|-------------|-----------|------------|------------|-------------------------------|
| Power Supply | | | | | | |
| Operating voltage at V_{DD} | | V_{DD} | V_{POR} | | 4.0 | V |
| Active current CPU active | $f_{SYSCL} = 1$ MHz $V_{DD} = 1.8$ V $V_{DD} = 3.0$ V | I_{DD} | | 0.3 0.4 | 0.4 | mA mA |
| Power down current (CPU sleep, RC oscillator active, 4-MHz quartz oscillator active) | $f_{SYSCL} = 1$ MHz $V_{DD} = 1.8$ V $V_{DD} = 3.0$ V | I_{PD} | | 40 70 | 150 | μ A μ A |
| Sleep current (CPU sleep, 32-kHz quartz oscillator active 4-MHz quartz oscillator inactive) | $V_{DD} = 1.8$ V $V_{DD} = 3.0$ V $V_{DD} = 3.0$ V at 85° C | I_{Sleep} | | 0.4 0.6 | 4.3 1.5 | μ A μ A μ A |
| Sleep current (CPU sleep, 32-kHz quartz oscillator inactive 4-MHz quartz oscillator inactive) | $V_{DD} = 3.0$ V $V_{DD} = 3.0$ V at 85° C | I_{Sleep} | | 0.3 | 3.5 1.0 | μ A μ A |
| Pin capacitance | Any pin to V_{SS} | C_L | | 7 | 10 | pF |

DC Operating Characteristics (Continued)

$V_{SS} = 0\text{ V}$, $T_{amb} = -40^{\circ}\text{C}$ to $+125^{\circ}\text{C}$ unless otherwise specified.

| Parameters | Test Conditions | Symbol | Min. | Typ. | Max. | Unit |
|--|--|------------|---------------------|-------------|---------------------|--------------------------------|
| Power-on Reset Threshold Voltage | | | | | | |
| POR threshold voltage | BOT = 1 | V_{POR} | 1.54 | 1.7 | 1.88 | V |
| POR threshold voltage | BOT = 0 | V_{POR} | 1.83 | 2.0 | 2.20 | V |
| POR hysteresis | | V_{POR} | | 50 | | mV |
| Voltage Monitor Threshold Voltage | | | | | | |
| VM high threshold voltage | $V_{DD} > VM$, $VMS = 1$ | V_{MThh} | | 3.0 | 3.35 | V |
| VM high threshold voltage | $V_{DD} < VM$, $VMS = 0$ | V_{MThh} | 2.77 | 3.0 | | V |
| VM middle threshold voltage | $V_{DD} > VM$, $VMS = 1$ | V_{MThm} | | 2.6 | 2.9 | V |
| VM middle threshold voltage | $V_{DD} < VM$, $VMS = 0$ | V_{MThm} | 2.4 | 2.6 | | V |
| VM low threshold voltage | $V_{DD} > VM$, $VMS = 1$ | V_{MThl} | | 2.2 | 2.44 | V |
| VM low threshold voltage | $V_{DD} < VM$, $VMS = 0$ | V_{MThl} | 2.0 | 2.2 | | V |
| External Input Voltage | | | | | | |
| VMI | $V_{DD} = 3\text{ V}$, $VMS = 1$ | V_{VMI} | | 1.3 | 1.44 | V |
| VMI | $V_{DD} = 3\text{ V}$, $VMS = 0$ | V_{VMI} | 1.18 | 1.3 | | V |
| All Bi-directional Ports | | | | | | |
| Input voltage LOW | $V_{DD} = 2.0$ to 4.0 V | V_{IL} | V_{SS} | | $0.2 \times V_{DD}$ | V |
| Input voltage HIGH | $V_{DD} = 2.0$ to 4.0 V | V_{IH} | $0.8 \times V_{DD}$ | | V_{DD} | V |
| Input LOW current (switched pull-up) | $V_{DD} = 2.0\text{ V}$, $V_{DD} = 3.0\text{ V}$, $V_{IL} = V_{SS}$ | I_{IL} | -3 -10 | -8 -20 | -14 -40 | μA μA |
| Input HIGH current (switched pull-down) | $V_{DD} = 2.0\text{ V}$, $V_{DD} = 3.0\text{ V}$, $V_{IH} = V_{DD}$ | I_{IH} | 3 10 | 6 20 | 14 40 | μA μA |
| Input LOW current (static pull-up) | $V_{DD} = 2.0\text{ V}$, $V_{DD} = 3.0\text{ V}$, $V_{IL} = V_{SS}$ | I_{IL} | -30 -80 | -50 -160 | -98 -320 | μA μA |
| Input LOW current (static pull-down) | $V_{DD} = 2.0\text{ V}$, $V_{DD} = 3.0\text{ V}$, $V_{IH} = V_{DD}$ | I_{IH} | 20 80 | 50 160 | 100 320 | μA μA |
| Input leakage current | $V_{IL} = V_{SS}$ | I_{IL} | | | 100 | nA |
| Input leakage current | $V_{IH} = V_{DD}$ | I_{IH} | | | 100 | nA |
| Output LOW current | $V_{OL} = 0.2 \times V_{DD}$, $V_{DD} = 2.0\text{ V}$, $V_{DD} = 3.0\text{ V}$ | I_{OL} | 0.9 3 | 1.8 5 | 3.6 8 | mA mA |
| Output HIGH current | $V_{OH} = 0.8 \times V_{DD}$, $V_{DD} = 2.0\text{ V}$, $V_{DD} = 3.0\text{ V}$ | I_{OH} | -0.8 -3 | -1.7 -5 | -3.4 -8 | mA mA |

Note: The pin BP20/NTE has a static pull-up resistor during the reset-phase of the microcontroller

AC Characteristics

Supply voltage $V_{DD} = 1.8$ to 4.0 V, $V_{SS} = 0$ V, $T_{amb} = 25^{\circ}$ C unless otherwise specified.

| Parameters | Test Conditions | Symbol | Min. | Typ. | Max. | Unit |
|---|--|-----------------------|----------------------|------|----------|----------|
| Operation Cycle Time | | | | | | |
| System clock cycle | $V_{DD} = 1.8$ to 4.0 V $T_{amb} = -40$ to $+125^{\circ}$ C | t_{SYSCL} | 500 | | 2000 | ns |
| | $V_{DD} = 2.4$ to 4.0 V $T_{amb} = -40$ to $+125^{\circ}$ C | t_{SYSCL} | 250 | | 2000 | ns |
| Timer 2 input Timing Pin T2I | | | | | | |
| Timer 2 input clock | | f_{T2I} | | | 5 | MHz |
| Timer 2 input LOW time | Rise/fall time < 10 ns | t_{T2IL} | 100 | | | ns |
| Timer 2 input HIGH time | Rise/fall time < 10 ns | t_{T2IH} | 100 | | | ns |
| Timer 3 Input Timing Pin T3I | | | | | | |
| Timer 3 input clock | | f_{T3I} | | | SYSCL/2 | MHz |
| Timer 3 input LOW time | Rise/fall time < 10 ns | t_{T3IL} | $2 t_{SYSCL}$ | | | ns |
| Timer 3 input HIGH time | Rise/fall time < 10 ns | t_{T3IH} | $2 t_{SYSCL}$ | | | ns |
| Interrupt Request Input Timing | | | | | | |
| Interrupt request LOW time | Rise/fall time < 10 ns | t_{IRL} | 100 | | | ns |
| Interrupt request HIGH time | Rise/fall time < 10 ns | t_{IRH} | 100 | | | ns |
| External System Clock | | | | | | |
| EXSCL at OSC1, ECM = EN | Rise/fall time < 10 ns | f_{EXSCL} | 0.5 | | 4 | MHz |
| EXSCL at OSC1, ECM = DI | Rise/fall time < 10 ns | f_{EXSCL} | 0.02 | | 4 | MHz |
| Input HIGH time | Rise/fall time < 10 ns | t_{IH} | 0.1 | | | μ s |
| Reset Timing | | | | | | |
| Power-on reset time | $V_{DD} > V_{POR}$ | t_{POR} | | 1.5 | 5 | ms |
| RC Oscillator 1 | | | | | | |
| Frequency | | f_{RCOut1} | | 3.8 | | MHz |
| Stability | $V_{DD} = 2.0$ to 4.0 V $T_{amb} = -40$ to $+125^{\circ}$ C | $\Delta f/f$ | | | ± 50 | % |
| RC Oscillator 2 – External Resistor | | | | | | |
| Frequency | $R_{ext} = 180$ k Ω | f_{RCOut2} | | 4 | | MHz |
| Stability | $V_{DD} = 2.0$ to 4.0 V $T_{amb} = -40$ to $+125^{\circ}$ C | $\Delta f/f$ | | | ± 15 | % |
| Stabilization time | | t_S | | | 10 | μ s |
| 4-MHz Crystal Oscillator (Operating Range $V_{DD} = 2.2$ V to 4.0 V) | | | | | | |
| Frequency | | f_X | | 4 | | MHz |
| Start-up time | | t_{SQ} | | 5 | | ms |
| Stability | | $\Delta f/f$ | -10 | | 10 | ppm |
| Integrated input/output capacitances (configurable) | C_{IN}/C_{OUT} programmable | C_{IN} C_{OUT} | 0, 2, 5, 7, 10 or 12 | | | pF pF |

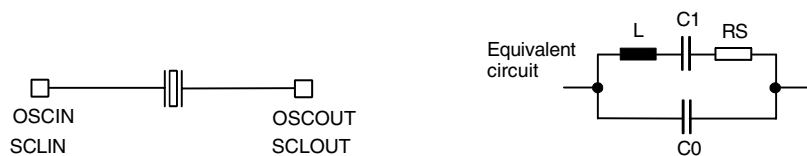
AC Characteristics (Continued)

Supply voltage $V_{DD} = 1.8$ to 4.0 V, $V_{SS} = 0$ V, $T_{amb} = 25^\circ\text{C}$ unless otherwise specified.

| Parameters | Test Conditions | Symbol | Min. | Typ. | Max. | Unit |
|--|--|-----------------------|----------------------|------------------|------|------------------|
| 32-kHz Crystal Oscillator (Operating Range $V_{DD} = 2.0$ V to 4.0 V) | | | | | | |
| Frequency | | f_x | | 32.768 | | kHz |
| Start-up time | | t_{SQ} | | 0.5 | | s |
| Stability | | $\Delta f/f$ | -10 | | 10 | ppm |
| Integrated input/output capacitances (configurable) | C_{IN}/C_{OUT} programmable | C_{IN} C_{OUT} | 0, 2, 5, 7, 10 or 12 | | | pF pF |
| External 32-kHz Crystal Parameters | | | | | | |
| Crystal frequency | | f_x | | 32.768 | | kHz |
| Serial resistance | | RS | | 30 | 50 | k Ω |
| Static capacitance | | C0 | | 1.5 | | pF |
| Dynamic capacitance | | C1 | | 3 | | fF |
| External 4-MHz Crystal Parameters | | | | | | |
| Crystal frequency | | f_x | | 4.0 | | MHz |
| Serial resistance | | RS | | 40 | 150 | Ω |
| Static capacitance | | C0 | | 1.4 | 3 | pF |
| Dynamic capacitance | | C1 | | 3 | | fF |
| EEPROM | | | | | | |
| Operating current during erase/write cycle | | I_{WR} | | 600 | 1300 | μA |
| Endurance | Erase-/write cycles $T_{amb} = 125^\circ\text{C}$ | E_D E_D | 500000 10000 | 1000000 20000 | | Cycles Cycles |
| Data erase/write cycle time | For 16-bit access | t_{DEW} | | 9 | 13 | ms |
| Data retention time | $T_{amb} = 125^\circ\text{C}$ | t_{DR} t_{DR} | 100 1 | | | Years Years |
| Power-up to read operation | | t_{PUR} | | | 0.2 | ms |
| Power-up to write operation | | t_{PUW} | | | 0.2 | ms |
| Program EEPROM | Erase-/write cycles, $T_{amb} = 0$ to 40°C | n_{EW} | 100 | 1000 | | Cycles |
| Serial Interface | | | | | | |
| SCL clock frequency | | f_{SC_MCL} | | 100 | 500 | kHz |

Crystal Characteristics

Figure 93. Crystal Equivalent Circuit

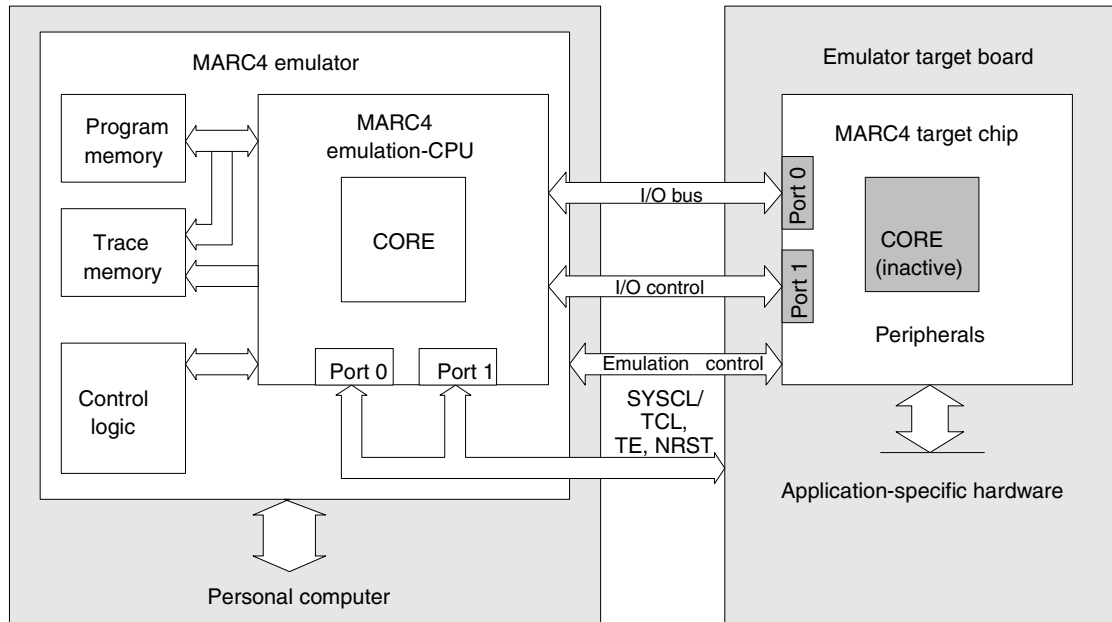


Emulation

The basic function of emulation is to test and evaluate the customer's program and hardware in real time. This therefore enables the analysis of any timing, hardware or software problem. For emulation purposes, all MARC4 controllers include a special emulation mode. In this mode, the internal CPU core is inactive and the I/O buses are available via Port 0 and Port 1 to allow an external access to the on-chip peripherals. The MARC4 emulator uses this mode to control the peripherals of any MARC4 controller (target chip) and emulates the lost ports for the application.

The MARC4 emulator can stop and restart a program at specified points during execution, making it possible for the applications engineer to view the memory contents and those of various registers during program execution. The designer also gains the ability to analyze the executed instruction sequences and all the I/O activities.

Figure 94. MARC4 Emulation



Option Settings for Ordering

Please select the option settings from the list below and insert ROM CRC.

| | Output | Input |
|---------------|---|--|
| Port 1 | | |
| BP10 | <input type="checkbox"/> CMOS | <input type="checkbox"/> Switched pull-up |
| | <input type="checkbox"/> Open drain [N] | <input type="checkbox"/> Switched pull-down |
| | <input type="checkbox"/> Open drain [P] | <input type="checkbox"/> Static pull-up <input type="checkbox"/> Static pull-down |
| BP13 | <input type="checkbox"/> CMOS | <input type="checkbox"/> Switched pull-up |
| | <input type="checkbox"/> Open drain [N] | <input type="checkbox"/> Switched pull-down |
| | <input type="checkbox"/> Open drain [P] | <input type="checkbox"/> Static pull-up <input type="checkbox"/> Static pull-down |
| Port 2 | | |
| BP20 | <input type="checkbox"/> CMOS | <input type="checkbox"/> Switched pull-up |
| | <input type="checkbox"/> Open drain [N] | <input type="checkbox"/> Switched pull-down |
| | <input type="checkbox"/> Open drain [P] | <input type="checkbox"/> Static pull-up |
| BP21 | <input type="checkbox"/> CMOS | <input type="checkbox"/> Switched pull-up |
| | <input type="checkbox"/> Open drain [N] | <input type="checkbox"/> Switched pull-down |
| | <input type="checkbox"/> Open drain [P] | <input type="checkbox"/> Static pull-up <input type="checkbox"/> Static pull-down |
| BP22 | <input type="checkbox"/> CMOS | <input type="checkbox"/> Switched pull-up |
| | <input type="checkbox"/> Open drain [N] | <input type="checkbox"/> Switched pull-down |
| | <input type="checkbox"/> Open drain [P] | <input type="checkbox"/> Static pull-up <input type="checkbox"/> Static pull-down |
| BP23 | <input type="checkbox"/> CMOS | <input type="checkbox"/> Switched pull-up |
| | <input type="checkbox"/> Open drain [N] | <input type="checkbox"/> Switched pull-down |
| | <input type="checkbox"/> Open drain [P] | <input type="checkbox"/> Static pull-up <input type="checkbox"/> Static pull-down |
| Port 4 | | |
| BP40 | <input type="checkbox"/> CMOS | <input type="checkbox"/> Switched pull-up |
| | <input type="checkbox"/> Open drain [N] | <input type="checkbox"/> Switched pull-down |
| | <input type="checkbox"/> Open drain [P] | <input type="checkbox"/> Static pull-up <input type="checkbox"/> Static pull-down |
| BP41 | <input type="checkbox"/> CMOS | <input type="checkbox"/> Switched pull-up |
| | <input type="checkbox"/> Open drain [N] | <input type="checkbox"/> Switched pull-down |
| | <input type="checkbox"/> Open drain [P] | <input type="checkbox"/> Static pull-up <input type="checkbox"/> Static pull-down |
| BP42 | <input type="checkbox"/> CMOS | <input type="checkbox"/> Switched pull-up |
| | <input type="checkbox"/> Open drain [N] | <input type="checkbox"/> Switched pull-down |
| | <input type="checkbox"/> Open drain [P] | <input type="checkbox"/> Static pull-up <input type="checkbox"/> Static pull-down |
| BP43 | <input type="checkbox"/> CMOS | <input type="checkbox"/> Switched pull-up |
| | <input type="checkbox"/> Open drain [N] | <input type="checkbox"/> Switched pull-down |
| | <input type="checkbox"/> Open drain [P] | <input type="checkbox"/> Static pull-up <input type="checkbox"/> Static pull-down |

| | Output | Input |
|---------------|---|--|
| Port 5 | | |
| BP50 | <input type="checkbox"/> CMOS | <input type="checkbox"/> Switched pull-up |
| | <input type="checkbox"/> Open drain [N] | <input type="checkbox"/> Switched pull-down |
| | <input type="checkbox"/> Open drain [P] | <input type="checkbox"/> Static pull-up <input type="checkbox"/> Static pull-down |
| BP51 | <input type="checkbox"/> CMOS | <input type="checkbox"/> Switched pull-up |
| | <input type="checkbox"/> Open drain [N] | <input type="checkbox"/> Switched pull-down |
| | <input type="checkbox"/> Open drain [P] | <input type="checkbox"/> Static pull-up <input type="checkbox"/> Static pull-down |
| BP52 | <input type="checkbox"/> CMOS | <input type="checkbox"/> Switched pull-up |
| | <input type="checkbox"/> Open drain [N] | <input type="checkbox"/> Switched pull-down |
| | <input type="checkbox"/> Open drain [P] | <input type="checkbox"/> Static pull-up <input type="checkbox"/> Static pull-down |
| BP53 | <input type="checkbox"/> CMOS | <input type="checkbox"/> Switched pull-up |
| | <input type="checkbox"/> Open drain [N] | <input type="checkbox"/> Switched pull-down |
| | <input type="checkbox"/> Open drain [P] | <input type="checkbox"/> Static pull-up <input type="checkbox"/> Static pull-down |
| Port 6 | | |
| BP60 | <input type="checkbox"/> CMOS | <input type="checkbox"/> Switched pull-up |
| | <input type="checkbox"/> Open drain [N] | <input type="checkbox"/> Switched pull-down |
| | <input type="checkbox"/> Open drain [P] | <input type="checkbox"/> Static pull-up <input type="checkbox"/> Static pull-down |
| BP63 | <input type="checkbox"/> CMOS | <input type="checkbox"/> Switched pull-up |
| | <input type="checkbox"/> Open drain [N] | <input type="checkbox"/> Switched pull-down |
| | <input type="checkbox"/> Open drain [P] | <input type="checkbox"/> Static pull-up <input type="checkbox"/> Static pull-down |

| | |
|-------------|--|
| OSC1 | <input type="checkbox"/> No integrated capacitance <input type="checkbox"/> Internal capacitance (0 to 20 pF) [____pF] |
| OSC2 | <input type="checkbox"/> No integrated capacitance <input type="checkbox"/> Internal capacitance (0 to 20 pF) [____pF] |

| | |
|-------------------|--|
| Clock Used | <input type="checkbox"/> External resistor <input type="checkbox"/> External clock <input type="checkbox"/> 32-kHz crystal <input type="checkbox"/> 4-MHz crystal |
|-------------------|--|

| | |
|-------------------------------------|---|
| ECM (External Clock Monitor) | <input type="checkbox"/> Enable <input type="checkbox"/> Disable |
|-------------------------------------|---|

Please attach this page to the approval form.

Date: _____ Signature: _____ Company: _____

Ordering Information

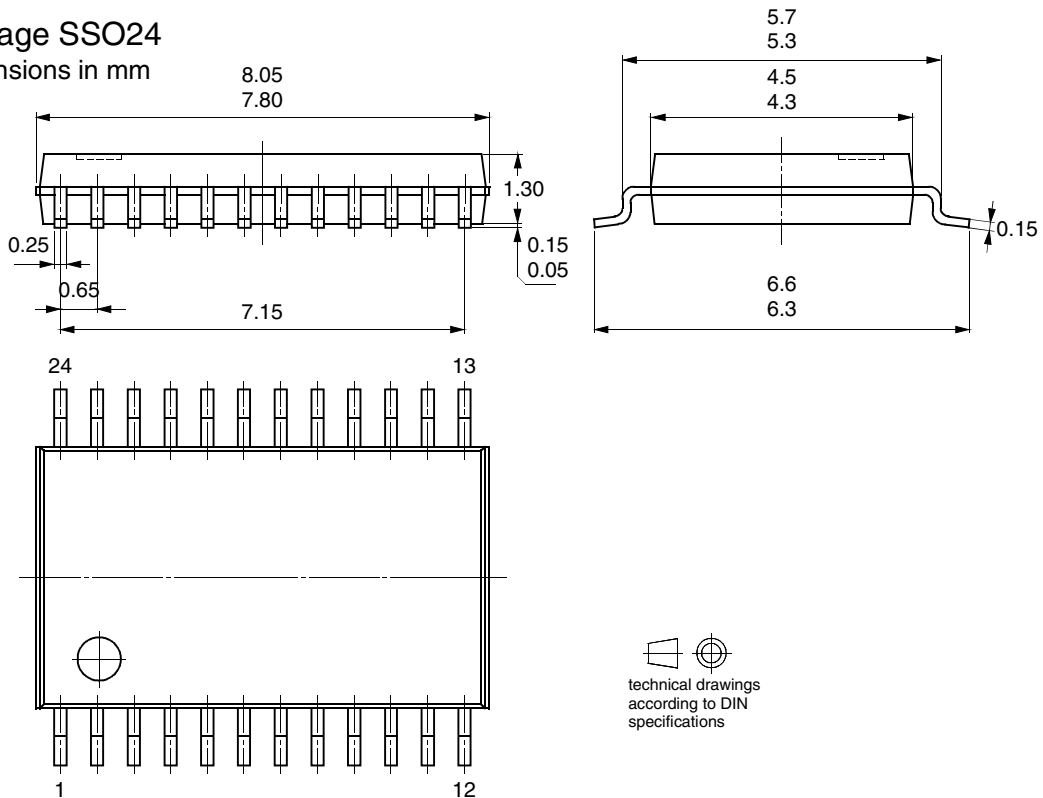
| Extended Type Number ⁽¹⁾ | Program Memory | Data-EEPROM | Package | Delivery |
|-------------------------------------|----------------|-------------|---------|------------------|
| T48C862x-Rf-TNQ | 4 kB Flash | 2 × 512 bit | SSO24 | Taped and reeled |
| T48C862x-Rf-TNS | 4 kB Flash | 2 × 512 bit | SSO24 | Tubes |

Note: 1. x = Hardware revision
 f = RF frequency range
 = 3 (315 MHz)
 = 4 (433 MHz)
 = 8 (868 MHz/915 MHz)

Package Information

Package SSO24

Dimensions in mm



technical drawings according to DIN specifications

Table of Contents

Features..... 1

Description..... 1

Pin Configuration..... 2

Pin Description: RF Part 2

Pin Description: Microcontroller Part..... 3

UHF ASK/FSK Transmitter Block..... 4

Features..... 4

Description..... 4

General Description..... 6

Functional Description..... 6

 ASK Transmission 6

 FSK Transmission 6

 CLK Output..... 7

 Clock Pulse Take Over7

 Output Matching and Power Setting7

 Application Circuit..... 8

Absolute Maximum Ratings: RF Part..... 11

Thermal Resistance..... 11

Electrical Characteristics..... 11

Microcontroller Block..... 13

Features..... 13

Description..... 13

Introduction..... 13

 Differences between T48C862-R4 and ATAR862 Microcontrollers 13

 Program Memory13

 Configuration Memory13

 Data Memory13

 Reset Function14

MARC4 Architecture General Description..... 14

| | |
|--|---------------|
| Components of MARC4 Core | 14 |
| Program Memory | 14 |
| RAM..... | 15 |
| Expression Stack | 15 |
| Return Stack | 15 |
| Registers..... | 16 |
| Program Counter (PC) | 16 |
| RAM Address Registers | 17 |
| Expression Stack Pointer (SP) | 17 |
| Return Stack Pointer (RP) | 17 |
| RAM Address Registers (X and Y) | 17 |
| Top of Stack (TOS) | 17 |
| Condition Code Register (CCR) | 17 |
| Carry/Borrow (C) | 17 |
| Branch (B) | 17 |
| Interrupt Enable (I) | 17 |
| ALU..... | 18 |
| I/O Bus..... | 18 |
| Instruction Set..... | 18 |
| Interrupt Structure..... | 18 |
| Interrupt Processing | 19 |
| Interrupt Latency | 19 |
| Software Interrupts | 20 |
| Hardware Interrupts..... | 20 |
| Master Reset | 21 |
| Power-on Reset and Brown-out Detection | 21 |
| Watchdog Reset | 22 |
| External Clock Supervisor | 22 |
| Voltage Monitor..... | 22 |
| Voltage Monitor Control/Status Register | 23 |
| Clock Generation | 24 |
| Clock Module | 24 |
| Oscillator Circuits and External Clock Input Stage | 25 |
| RC-oscillator 1 Fully Integrated | 25 |
| External Input Clock | 26 |
| RC-oscillator 2 with External Trimming Resistor | 26 |
| 4-MHz Oscillator | 27 |
| 32-kHz Oscillator | 27 |
| Clock Management..... | 28 |
| Clock Management Register (CM) | 28 |
| System Configuration Register (SC) | 29 |
| Power-down Modes..... | 29 |

| | |
|--|-----------|
| Peripheral Modules..... | 30 |
| Addressing Peripherals..... | 30 |
| Bi-directional Ports..... | 33 |
| Bi-directional Port 1 | 33 |
| Bi-directional Port 2 | 34 |
| Port 2 Data Register (P2DAT) | 35 |
| Port 2 Control Register (P2CR) | 35 |
| Bi-directional Port 5 | 35 |
| Port 5 Data Register (P5DAT) | 36 |
| Port 5 Control Register (P5CR) Byte Write | 36 |
| Bi-directional Port 4 | 37 |
| Port 4 Data Register (P4DAT) | 38 |
| Port 4 Control Register (P4CR) Byte Write | 38 |
| Bi-directional Port 6 | 38 |
| Port 6 Data Register (P6DAT) | 39 |
| Port 6 Control Register (P6CR) | 39 |
| Universal Timer/Counter/ Communication Module (UTCM) | 39 |
| Timer 1..... | 40 |
| Timer 1 Control Register 1 (T1C1) | 42 |
| Timer 1 Control Register 2 (T1C2) | 43 |
| Watchdog Control Register (WDC) | 43 |
| Timer 2..... | 44 |
| Timer 2 Modes..... | 45 |
| Mode 1: 12-bit Compare Counter | 45 |
| Mode 2: 8-bit Compare Counter with 4-bit Programmable Prescaler | 45 |
| Mode 3/4: 8-bit Compare Counter and 4-bit Programmable Prescaler | 46 |
| Timer 2 Output Modes | 46 |
| Timer 2 Output Signals | 47 |
| Timer 2 Output Mode 1 | 47 |
| Timer 2 Output Mode 2 | 48 |
| Timer 2 Output Mode 3 | 48 |
| Timer 2 Output Mode 4 | 49 |
| Timer 2 Output Mode 5 | 49 |
| Timer 2 Output Mode 7 | 49 |
| Timer 2 Registers | 50 |
| Timer 2 Control Register (T2C) | 50 |
| Timer 2 Mode Register 1 (T2M1) | 50 |
| Duty Cycle Generator | 51 |
| Timer 2 Mode Register 2 (T2M2) | 52 |
| Timer 2 Compare and Compare Mode Registers | 52 |
| Timer 2 Compare Mode Register (T2CM) | 53 |
| Timer 2 COmpare Register 1 (T2CO1) | 53 |
| Timer 2 COmpare Register 2 (T2CO2) Byte Write | 53 |
| Timer 3..... | 54 |



| | |
|---|----|
| Features | 54 |
| Timer/Counter Modes | 55 |
| Timer 3 – Mode 1: Timer/Counter | 56 |
| Timer 3 – Mode 2: Timer/Counter, External Trigger Restart and External Capture (with T3I Input) | 57 |
| Timer 3 – Mode 3: Timer/Counter, Internal Trigger Restart and Internal Capture (with TOG2) | 58 |
| Timer 3 – Mode 4: Timer/Counter | 58 |
| Timer 3 – Mode 5: Timer/Counter, External Trigger Restart and External Capture (with T3I Input) | 58 |
| Timer 3 Modulator/Demodulator Modes | 58 |
| Timer 3 – Mode 6: Carrier Frequency Burst Modulation Controlled by Timer 2 Output Toggle Flip-Flop (M2) | 58 |
| Timer 3 – Mode 7: Carrier Frequency Burst Modulation Controlled by SSI Internal Output (SO) | 59 |
| Timer 3 – Mode 8: FSK Modulation with Shift Register Data (SO) | 59 |
| Timer 3 – Mode 9: Pulse-width Modulation with the Shift Register | 59 |
| Timer 3 – Mode 10: Manchester Demodulation/Pulse-width Demodulation | 60 |
| Timer 3 – Mode 11: Biphase Demodulation | 60 |
| Timer 3 – Mode 12: Timer/Counter with External Capture Mode (T3I) | 61 |
| Timer 3 Modulator for Carrier Frequency Burst Modulation | 61 |
| Timer 3 Demodulator for Biphase, Manchester and Pulse-width-modulated Signals..... | 61 |
| Timer 3 Registers | 62 |
| Timer 3 Mode Register (T3M) | 62 |
| Timer 3 Control Register 1 (T3C) Write | 63 |
| Timer 3 Status Register 1 (T3ST) Read | 63 |
| Timer 3 Clock Select Register (T3CS) | 64 |
| Timer 3 Compare- and Compare-mode Register | 64 |
| Timer 3 Compare-Mode Register 1 (T3CM1) | 65 |
| Timer 3 Compare Mode Register 2 (T3CM2) | 65 |
| Timer 3 COmpare Register 1 (T3CO1) Byte Write | 66 |
| Timer 3 COmpare Register 2 (T3CO2) Byte Write | 66 |
| Timer 3 Capture Register | 66 |
| Timer 3 CaPture Register (T3CP) Byte Read | 66 |
| Synchronous Serial Interface (SSI) | 67 |
| SSI Features: | 67 |
| SSI Peripheral Configuration | 67 |
| General SSI Operation | 68 |
| 8-bit Synchronous Mode | 69 |
| 9-bit Shift Mode (MCL) | 71 |
| 8-bit Pseudo MCL Mode | 72 |
| MCL Bus Protocol | 72 |
| SSI Interrupt | 74 |
| Modulation and Demodulation | 74 |
| Serial Interface Registers | 75 |
| Serial Interface Control Register 1 (SIC1) | 75 |

| | |
|---|-----------|
| Serial Interface Control Register 2 (SIC2) | 76 |
| Serial Interface Status and Control Register (SISC) | 77 |
| Serial Transmit Buffer (STB) – Byte Write | 77 |
| Serial Receive Buffer (SRB) – Byte Read | 78 |
| Combination Modes | 78 |
| Combination Mode Timer 2 and SSI..... | 78 |
| Combination Mode 1: Burst Modulation | 79 |
| Combination Mode 2: Biphase Modulation 1 | 79 |
| Combination Mode 3: Manchester Modulation 1 | 80 |
| Combination Mode 4: Manchester Modulation 2 | 80 |
| Combination Mode 5: Biphase Modulation 2 | 81 |
| Combination Mode Timer 3 and SSI..... | 82 |
| Combination Mode 6: FSK Modulation | 82 |
| Combination Mode 7: Pulse-width Modulation (PWM) | 83 |
| Combination Mode 8: Manchester Demodulation/ Pulse-width Demodulation | 83 |
| Combination Mode 9: Biphase Demodulation | 84 |
| Combination Mode Timer 2 and Timer 3 | 85 |
| Combination Mode 10: Frequency Measurement or Event Counter with Time Gate | 85 |
| Combination Mode 11: Burst Modulation 1 | 86 |
| Combination Mode Timer 2, Timer 3 and SSI | 87 |
| Combination Mode 12: Burst Modulation 2 | 88 |
| Combination Mode 13: FSK Modulation | 88 |
| Data EEPROM..... | 89 |
| Serial Interface..... | 90 |
| Serial Protocol | 90 |
| Control Byte Format | 91 |
| EEPROM | 91 |
| EEPROM – Operating Modes | 91 |
| Write Operations | 91 |
| Acknowledge Polling | 91 |
| Write One Data Byte | 91 |
| Write Two Data Bytes | 91 |
| Write Control Byte Only | 91 |
| Write Control Bytes | 92 |
| Read Operations | 92 |
| Read One Data Byte | 92 |
| Read Two Data Bytes | 92 |
| Read n Data Bytes | 92 |
| Read Control Bytes | 93 |
| Initialization the Serial Interface to the EEPROM | 93 |
| Absolute Maximum Ratings: Microcontroller Block | 94 |



| | |
|--|------------|
| <i>Thermal Resistance</i> | 94 |
| <i>DC Operating Characteristics</i> | 94 |
| <i>AC Characteristics</i> | 96 |
| <i>Crystal Characteristics</i> | 97 |
| Emulation..... | 98 |
| <i>Option Settings for Ordering</i> | 99 |
| <i>Ordering Information</i> | 100 |
| <i>Package Information</i> | 100 |
| <i>Table of Contents</i> | 101 |



Atmel Corporation

2325 Orchard Parkway
San Jose, CA 95131, USA
Tel: 1(408) 441-0311
Fax: 1(408) 487-2600

Regional Headquarters

Europe

Atmel Sarl
Route des Arsenalux 41
Case Postale 80
CH-1705 Fribourg
Switzerland
Tel: (41) 26-426-5555
Fax: (41) 26-426-5500

Asia

Room 1219
Chinachem Golden Plaza
77 Mody Road Tsimshatsui
East Kowloon
Hong Kong
Tel: (852) 2721-9778
Fax: (852) 2722-1369

Japan

9F, Tonetsu Shinkawa Bldg.
1-24-8 Shinkawa
Chuo-ku, Tokyo 104-0033
Japan
Tel: (81) 3-3523-3551
Fax: (81) 3-3523-7581

Atmel Operations

Memory

2325 Orchard Parkway
San Jose, CA 95131, USA
Tel: 1(408) 441-0311
Fax: 1(408) 436-4314

Microcontrollers

2325 Orchard Parkway
San Jose, CA 95131, USA
Tel: 1(408) 441-0311
Fax: 1(408) 436-4314

La Chantrerie
BP 70602
44306 Nantes Cedex 3, France
Tel: (33) 2-40-18-18-18
Fax: (33) 2-40-18-19-60

ASIC/ASSP/Smart Cards

Zone Industrielle
13106 Rousset Cedex, France
Tel: (33) 4-42-53-60-00
Fax: (33) 4-42-53-60-01

1150 East Cheyenne Mtn. Blvd.
Colorado Springs, CO 80906, USA
Tel: 1(719) 576-3300
Fax: 1(719) 540-1759

Scottish Enterprise Technology Park
Maxwell Building
East Kilbride G75 0QR, Scotland
Tel: (44) 1355-803-000
Fax: (44) 1355-242-743

RF/Automotive

Theresienstrasse 2
Postfach 3535
74025 Heilbronn, Germany
Tel: (49) 71-31-67-0
Fax: (49) 71-31-67-2340

1150 East Cheyenne Mtn. Blvd.
Colorado Springs, CO 80906, USA
Tel: 1(719) 576-3300
Fax: 1(719) 540-1759

Biometrics/Imaging/Hi-Rel MPU/ High Speed Converters/RF Datacom

Avenue de Rochepleine
BP 123
38521 Saint-Egreve Cedex, France
Tel: (33) 4-76-58-30-00
Fax: (33) 4-76-58-34-80

Literature Requests

www.atmel.com/literature

Disclaimer: Atmel Corporation makes no warranty for the use of its products, other than those expressly contained in the Company's standard warranty which is detailed in Atmel's Terms and Conditions located on the Company's web site. The Company assumes no responsibility for any errors which may appear in this document, reserves the right to change devices or specifications detailed herein at any time without notice, and does not make any commitment to update the information contained herein. No licenses to patents or other intellectual property of Atmel are granted by the Company in connection with the sale of Atmel products, expressly or by implication. Atmel's products are not authorized for use as critical components in life support devices or systems.

© Atmel Corporation 2004. All rights reserved.

Atmel® and combinations thereof are the registered trademarks of Atmel Corporation or its subsidiaries.

Other terms and product names may be the trademarks of others.



Printed on recycled paper.

4551C-4BMCU-01/04