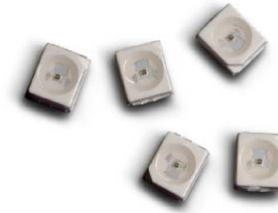
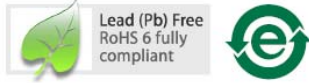


ASMT-UxB4-Pxxxx

Surface Mount LED Indicator



Data Sheet



Description

This family of SMT LEDs is packaged in the industry standard PLCC-2 package. These SMT LEDs have high reliability performance and are designed to work under a wide range of environmental conditions. This high reliability feature makes them ideally suited to be used under harsh interior automotive as well as interior signs application conditions.

To facilitate easy pick & place assembly, the LEDs are packed in EIA-compliant tape and reel. Every reel will be shipped in single intensity and color bin, except red color, to provide close uniformity.

These LEDs are compatible with IR solder reflow process. Due to the high reliability feature of these products, they can also be mounted using through-the-wave soldering process.

The super wide viewing angle at 120° makes these LEDs ideally suited for office equipment, industrial equipment, and home appliances. The flat top emitting surface makes it easy for these LEDs to mate with light pipes. With the built-in reflector pushing up the intensity of the light output, these LEDs are also suitable to be used as LED pixels in interior electronic signs.

Features

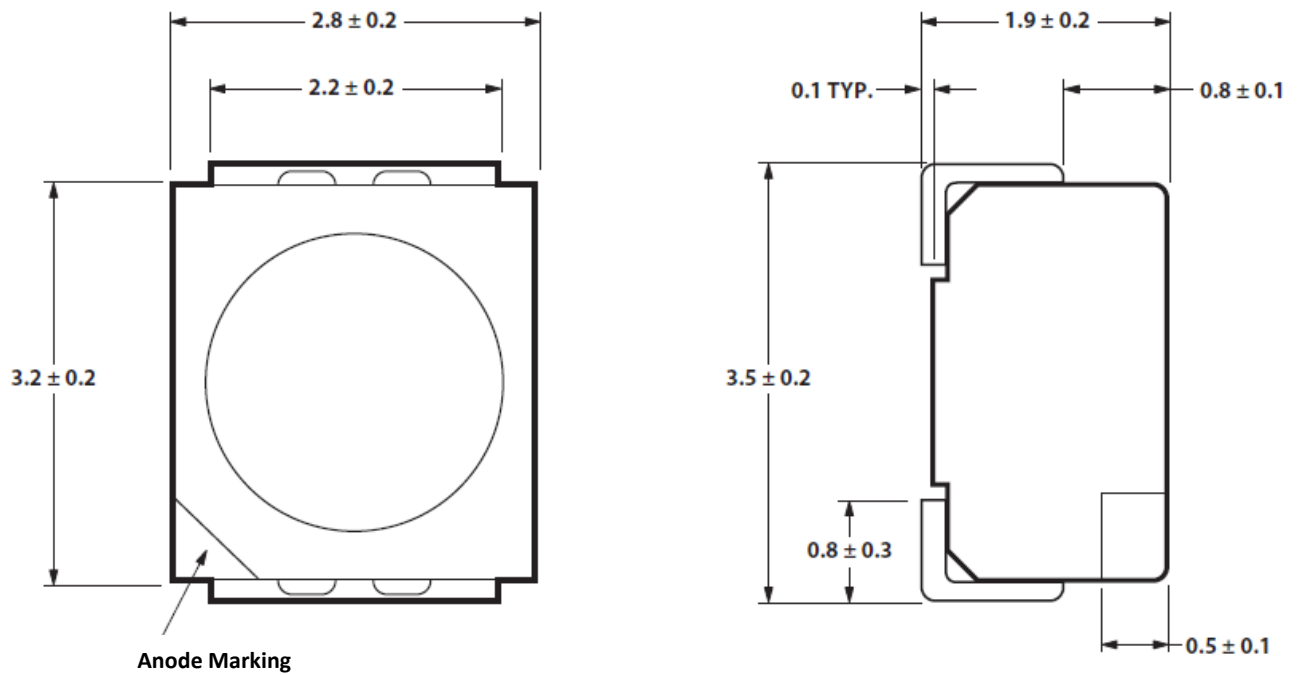
- Industry standard PLCC-2 package
- High reliability LED package
- High brightness using AlInGaP dice technologies
- Available in Red and Amber color
- Super wide viewing angle at 120°
- Available in 8 mm carrier tape on 7 inch reel (2000 pieces)
- Compatible with both IR and TTW soldering process

Applications

- Electronic signs and signals
 - Interior full color sign
 - Variable message sign
- Office automation, home appliances, industrial equipment
 - Front panel backlighting
 - Push button backlighting
 - Display backlighting

CAUTION: ASMT-UxB4-Pxxx LEDs are Class 2 ESD sensitive. Please observe appropriate precautions during handling and processing. Refer to Avago Application Note AN-1142 for additional details.

Package Dimensions



NOTE: ALL DIMENSIONS IN MILLIMETERS.

Table 1. Device Selection Guide

Color	Part Number	Min. I_v (mcd)	Max. I_v (mcd)	Test Current (mA)	Dice Technology
Red	ASMT-URB4-PU802	560.00	1400.00	20	AllnGaP
Amber	ASMT-UAB4-PU802	560.00	1400.00	20	AllnGaP

Notes:

1. The luminous intensity I_v , is measured at the mechanical axis of the lamp package. The actual peak of the spatial radiation pattern may not be aligned with this axis.
2. I_v Tolerance = $\pm 12\%$

Part Numbering System

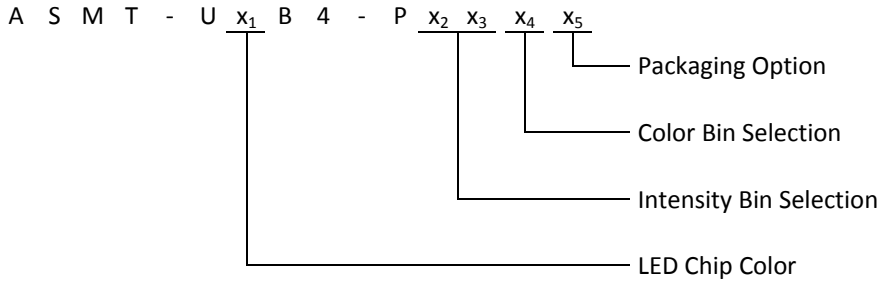


Table 2. Absolute Maximum Ratings (T_A = 25 °C)

Parameters	ASMT-UxB4
DC Forward Current ^[1]	30mA
Peak Forward Current ^[2]	100mA
Power Dissipation	63 mW
Reverse Voltage	4 V
Junction Temperature	110 °C
Operating Temperature	- 55 °C to + 100 °C
Storage Temperature	- 55 °C to + 100 °C

Notes:

1. Derate linearly as shown in Figure 4.
2. Duty Factor = 10%, Frequency = 1kHz.
3. Drive current between 10 mA and 30 mA is recommended for best long term performance.
4. Operation at current below 5 mA is not recommended.

Table 3. Optical Characteristics (T_A = 25 °C)

Color	Part Number	Dice Technology	Peak Wavelength λ _{PEAK} (nm) Typ.	Dominant Wavelength ^[1] λ _D (nm) Typ.	Viewing Angle 2θ _½ ^[2] (Degrees) Typ.
Red	ASMT-URB4	AllnGaP	627	623	120
Amber	ASMT-UAB4	AllnGaP	593	590	120

Notes:

1. The dominant wavelength, λ_D, is derived from the CIE Chromaticity diagram and represents the color of the device.
2. θ_½ is the off-axis angle where the luminous intensity is ½ the peak intensity.

Table 4. Electrical Characteristics (TA = 25 °C)

Part Number	Forward Voltage V _F (Volts) @ I _F = 20 mA		Reverse Voltage V _R @ 100μA
	Typ.	Max.	Min.
ASMT-UxB4	1.8	2.6	4

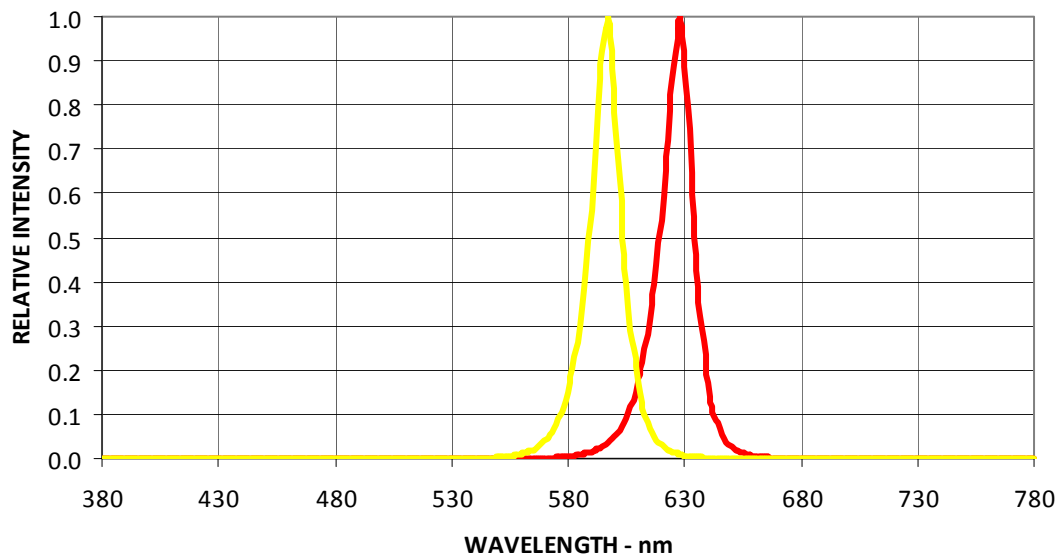


Figure 1. Relative intensity vs. wavelength

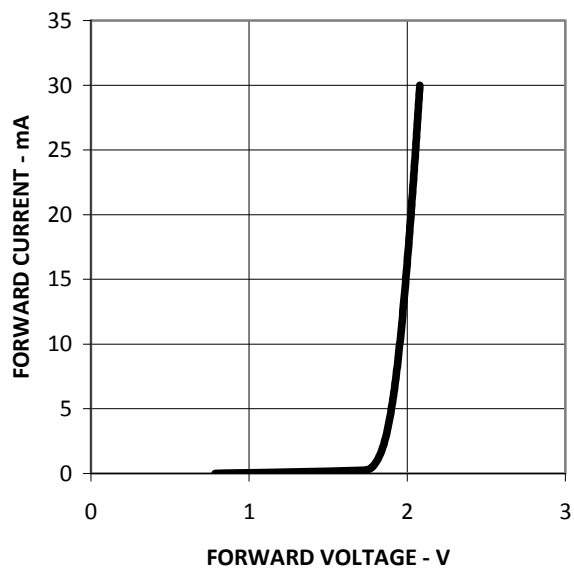


Figure 2. Forward current vs. forward voltage

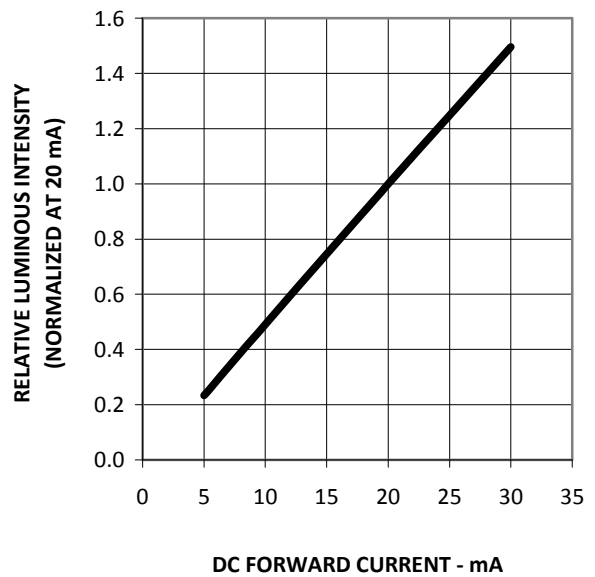


Figure 3. Relative intensity vs. forward current

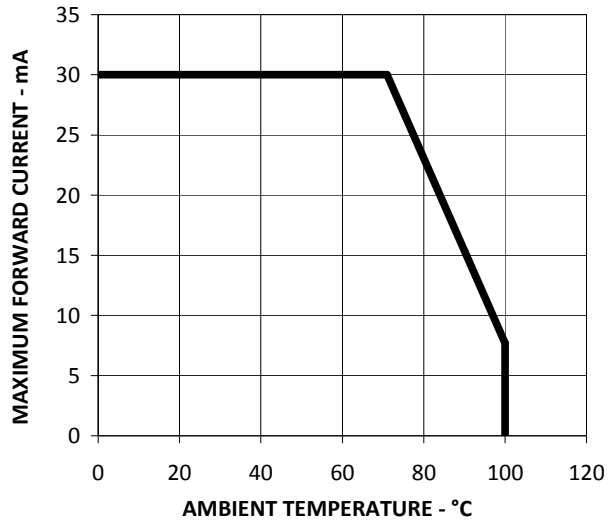


Figure 4. Maximum forward current vs. ambient temperature.
 Derated based on $T_{JMAX} = 110^{\circ}C$, $R_{\theta JA} = 500^{\circ}C/W$.

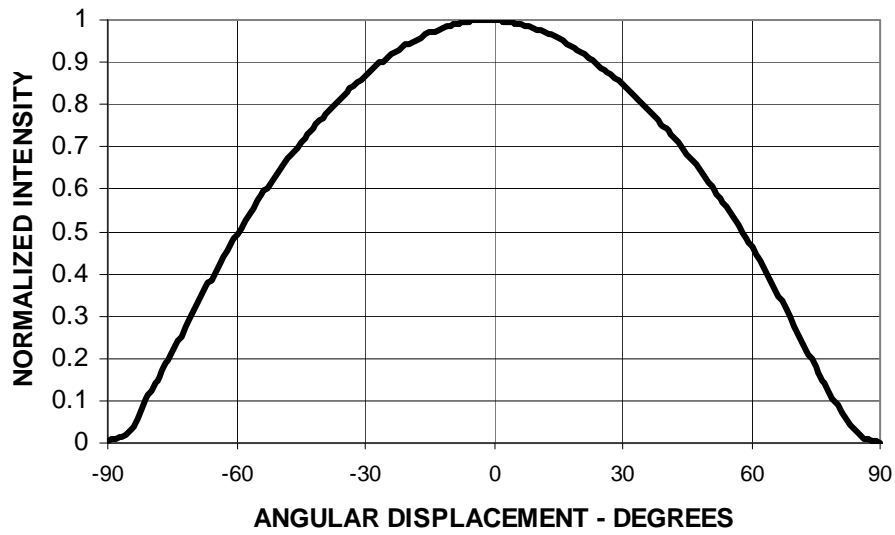


Figure 5. Radiation Pattern.

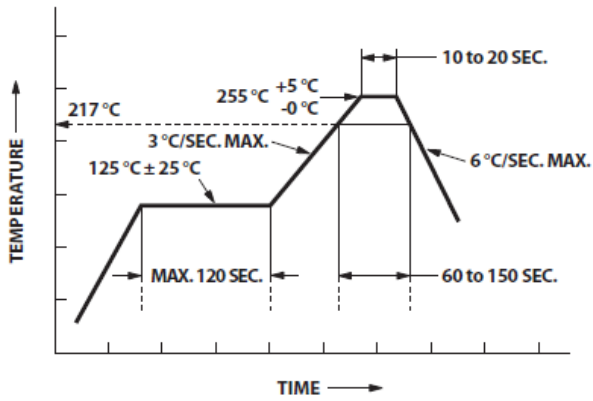


Figure 6. Recommended Pb-free reflow soldering profile.

Note: For detailed information on reflow soldering of Avago surface mount LEDs, refer to Avago Application Note AN 1060 *Surface Mounting SMT LED Indicator Components*.

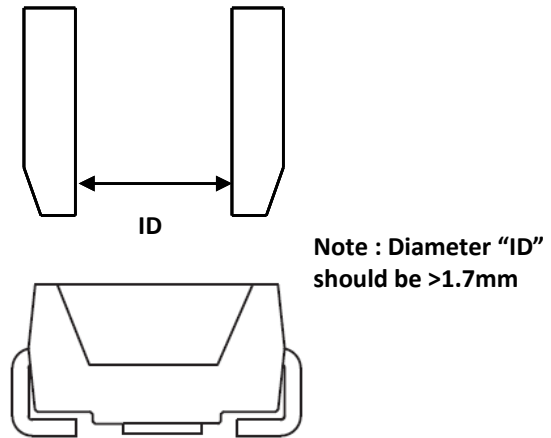
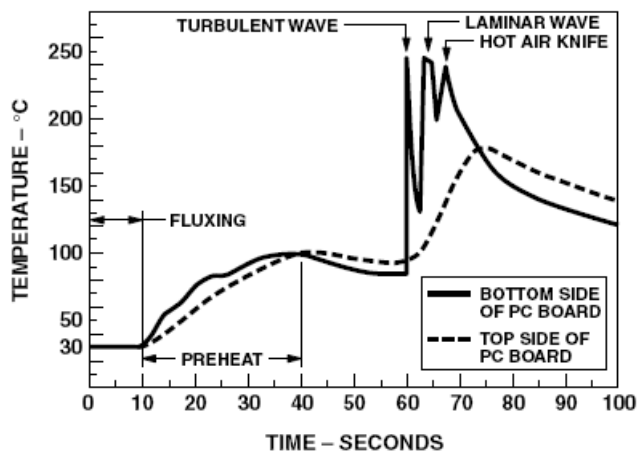


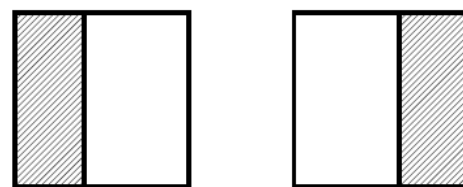
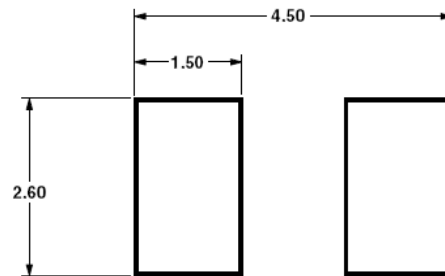
Figure 7. Recommended Pick and Place Nozzle Size



CONVEYOR SPEED = 1.83 M/MIN (6 FT/MIN)
 PREHEAT SETTING = 150°C (100°C PCB)
 SOLDER WAVE TEMPERATURE = 245°C
 AIR KNIFE AIR TEMPERATURE = 390°C
 AIR KNIFE DISTANCE = 1.91 mm (0.25 IN.)
 AIR KNIFE ANGLE = 40°
 LEADED SOLDER: SN63; FLUX: RMA
 LEAD-FREE SOLDER: 96.5 wt% SN, 3 wt% Ag, 0.5 wt% Cu

NOTE: ALLOW FOR BOARDS TO BE SUFFICIENTLY COOLED BEFORE EXERTING MECHANICAL FORCE.

Figure 8. Recommended wave soldering profile.



☐ SOLDER RESIST

Figure 9. Recommended soldering pad pattern.

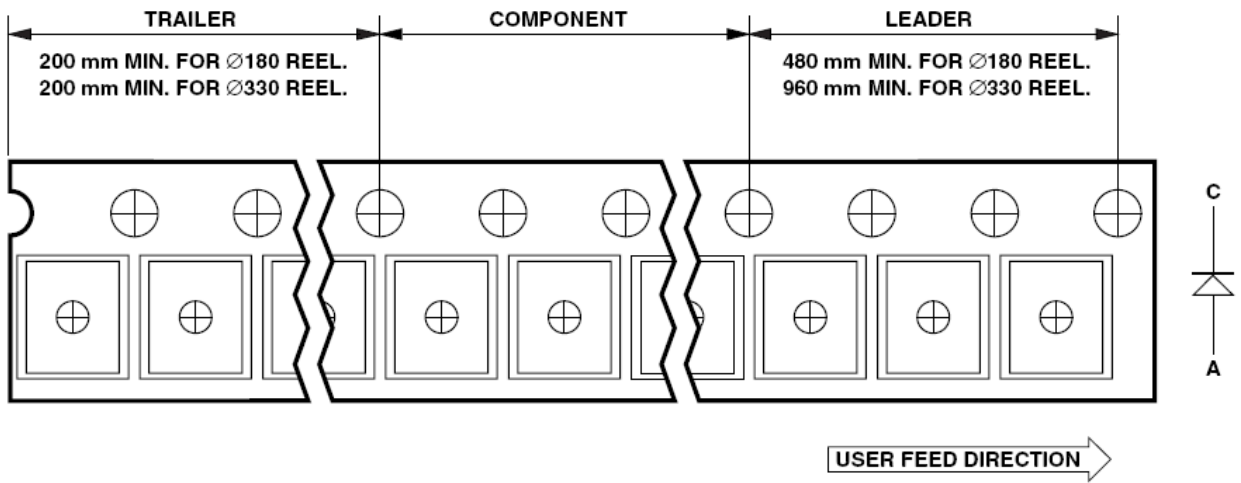


Figure 10. Tape leader and trailer dimensions.

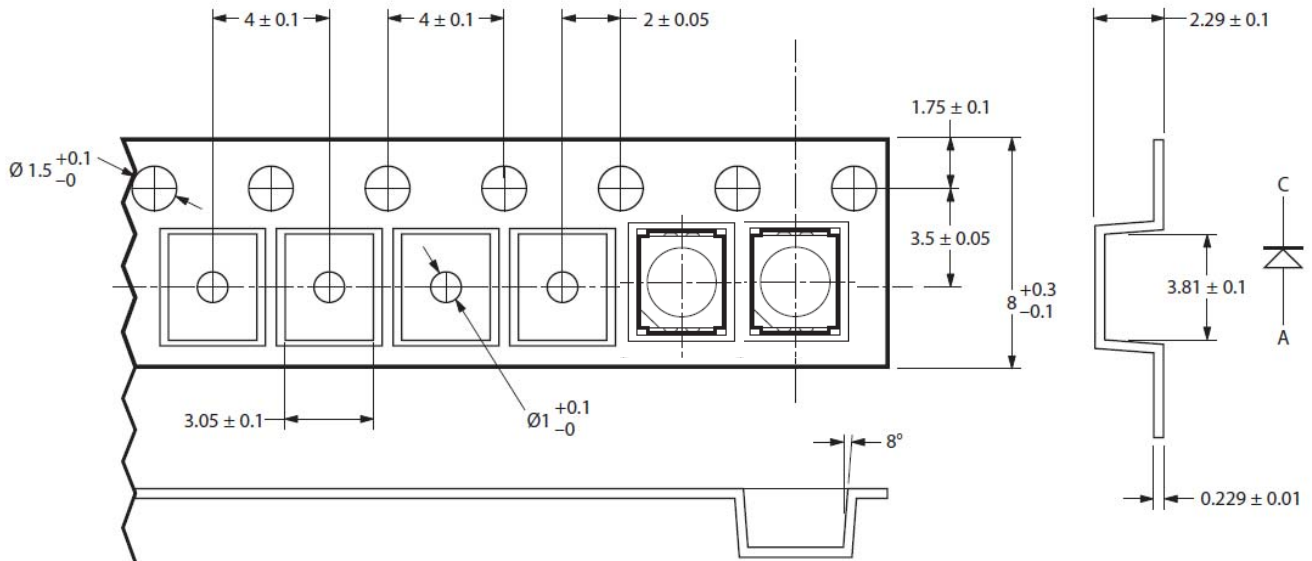


Figure 11. Tape dimensions.

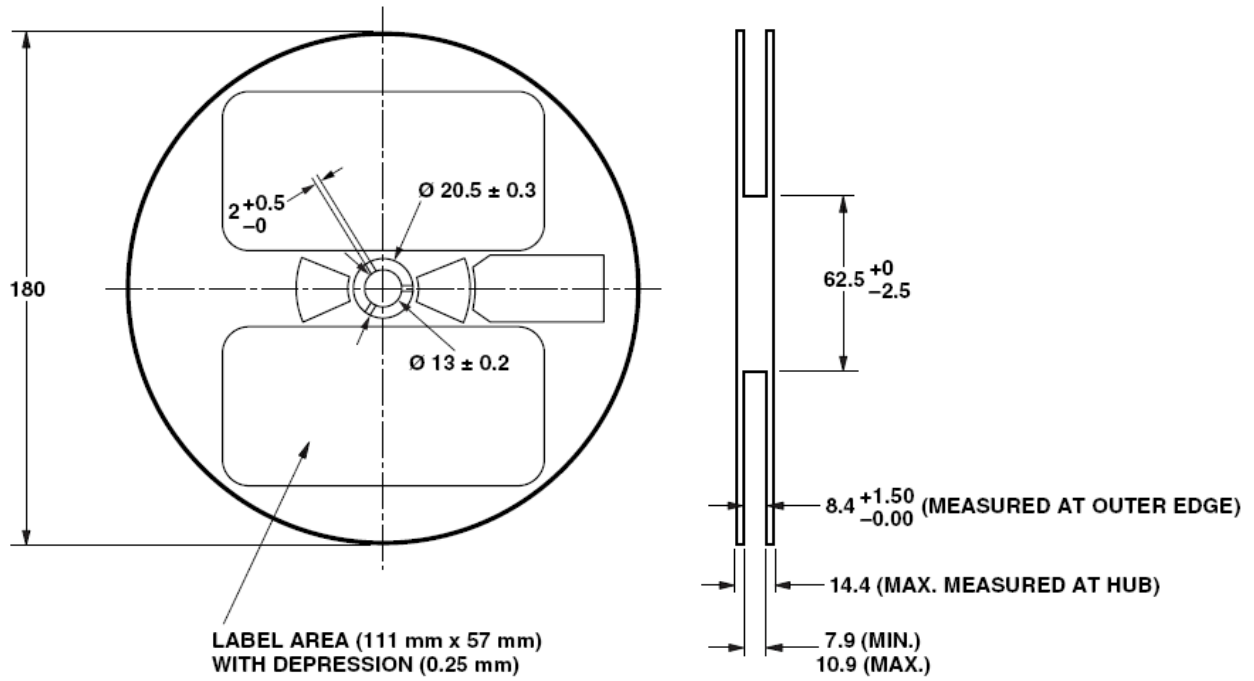


Figure 12. Reel dimensions.

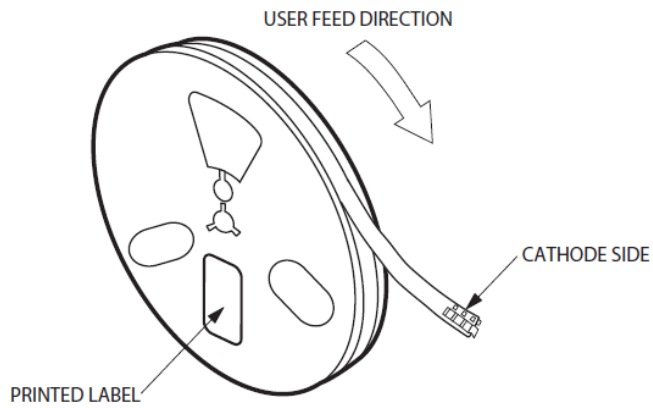


Figure 13. Reeling orientation.

Intensity Bin Select (X₂X₃)

Individual reel will contain parts from one half bin only

X₂	Min I _v Bin
----------------------	------------------------

X₃	
0	Full Distribution
A	1 half bins starting from X ₂ 1
2	2 half bins starting from X ₂ 1
3	3 half bins starting from X ₂ 1
4	4 half bins starting from X ₂ 1
5	2 half bins starting from X ₂ 1
B	1 half bins starting from X ₂ 2
6	2 half bins starting from X ₂ 2
7	3 half bins starting from X ₂ 2
8	4 half bins starting from X ₂ 2
9	2 half bins starting from X ₂ 2

Intensity Bin Limits

Bin ID	Min. (mcd)	Max. (mcd)
H1	2.80	3.55
H2	3.55	4.50
J1	4.50	5.60
J2	5.60	7.20
K1	7.20	9.00
K2	9.00	11.20
L1	11.20	14.00
L2	14.00	18.00
M1	18.00	22.40
M2	22.40	28.50
N1	28.50	35.50
N2	35.50	45.00
P1	45.00	56.00
P2	56.00	71.50
Q1	71.50	90.00
Q2	90.00	112.50

R1	112.50	140.00
R2	140.00	180.00
S1	180.00	224.00
S2	224.00	285.00
T1	285.00	355.00
T2	355.00	450.00
U1	450.00	560.00
U2	560.00	715.00
V1	715.00	900.00
V2	900.00	1125.00
W1	1125.00	1400.00
W2	1400.00	1800.00
X1	1800.00	2240.00
X2	2240.00	2850.00
Y1	2850.00	3550.00
Y2	3550.00	4500.00
Z1	4500.00	5600.00
Z2	5600.00	7150.00
11	7150.00	9000.00
12	9000.00	11250.00
21	11250.00	14000.00
22	14000.00	18000.00
31	18000.00	22400.00
32	22400.00	28500.00
41	28500.00	35500.00
42	35500.00	45000.00
51	45000.00	56000.00
52	56000.00	71500.00
61	71500.00	90000.00
62	90000.00	112500.00
71	112500.00	140000.00
72	140000.00	180000.00
81	180000.00	224000.00
82	224000.00	285000.00
91	285000.00	355000.00
92	355000.00	450000.00

Tolerance of each bin limit = ± 12%

Color Bin Select (X₄)

Individual reel will contain parts from one full bin only.

X₄	
O	Full distribution
A	1 and 2 only
B	2 and 3 only
C	3 and 4 only
D	4 and 5 only
E	5 and 6 only
F	6 and 7 only
G	1, 2 and 3 only
H	2, 3 and 4 only
J	3, 4 and 5 only
K	4, 5 and 6 only
L	5, 6 and 7 only
M	1, 2, 3 and 4 only
N	2, 3, 4 and 5 only
P	3, 4, 5 and 6 only
Q	4, 5, 6 and 7 only
R	1, 2, 3, 4 and 5 only
S	2, 3, 4, 5 and 6 only
T	3, 4, 5, 6 and 7 only
U	1, 2, 3, 4, 5 and 6 only
V	2, 3, 4, 5, 6 and 7 only
Z	Special Color Bin

Amber/ Yellow	Min. (nm)	Max. (nm)
A / 1	582.0	584.5
B / 2	584.5	587.0
C / 3	587.0	589.5
D / 4	589.5	592.0
E / 5	592.0	594.5
F / 6	594.5	597.0

Red	Min. (nm)	Max. (nm)
Full Distribution		

Tolerance of each bin limit = ±1nm

Packaging Option (X₅)

Option	Test Current	Package Type	Reel Size
2	20mA	Top Mount	7 inch
3	30mA	Top Mount	7 inch
5	50mA	Top Mount	7 inch

Handling Precaution

The encapsulation material of the product is made of silicone for better reliability of the product. As silicone is a soft material, please do not press on the silicone or poke a sharp object onto the silicone. These might damage the product and cause premature failure. During assembly or handling, the unit should be held on the body only. Please refer to Avago Application Note AN 5288 for detail information.

Moisture Sensitivity

This product is qualified as Moisture Sensitive Level 2a per Jedec J-STD-020. Precautions when handling this moisture sensitive product is important to ensure the reliability of the product. Do refer to Avago Application Note AN5305 Handling of Moisture Sensitive Surface Mount Devices for details.

A. Storage before use

- Unopen moisture barrier bag (MBB) can be stored at 40°C/90%RH for 12 months. If the actual shelf life has exceeded 12 months and the HIC indicates that baking is not required, then it is safe to reflow the LEDs per the original MSL rating.
- It is not recommended to open the MBB prior to assembly (e.g. for IQC).

B. Control after opening the MBB

- The humidity indicator card (HIC) shall be read immediately upon opening of MBB.
- The LEDs must be kept at 30°C / 60%RH at all time and all high temperature related process including soldering, curing or rework need to be completed within 672 hours.

C. Control for unfinished reel

- For any unused LEDs, they need to be stored in sealed MBB with desiccant or desiccator at 5%RH.

D. Control of assembled boards

- If the PCB soldered with the LEDs is to be subjected to other high temperature processes, the PCB need to be stored in sealed MBB with desiccant or desiccator at 5%RH to ensure no LEDs have exceeded their floor life of 672 hours.

E. Baking is required if:

- "10%" is Not blue and "5%" HIC indicator turns pink.
- The LEDs are exposed to condition of 30°C / 60% RH at any time.
- The LEDs floor life exceeded 672 hours.

Recommended baking condition: $60\pm 5^{\circ}\text{C}$ for 20 hours.

For product information and a complete list of distributors, please go to our web site: www.avagotech.com

Avago, Avago Technologies, and the A logo are trademarks of Avago Technologies, Pte. in the United States and other countries.

Data subject to change. Copyright © 2005 Avago Technologies Pte. All rights reserved.

Pub No – 13 February 2012

