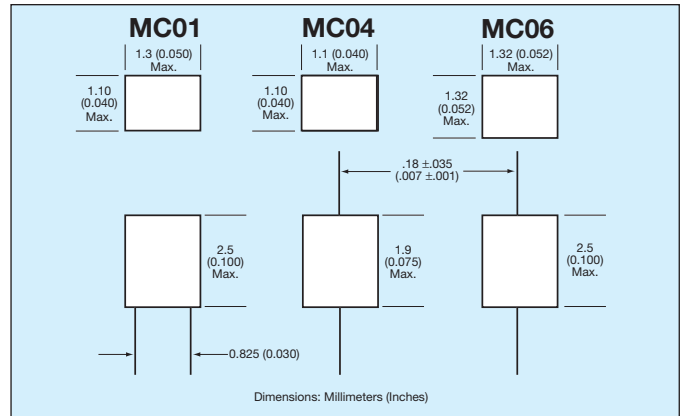


# Axial Leads/Mini-Ceramic Capacitor®

## GENERAL DESCRIPTION

AVX's new mini-ceramic capacitor (MC04) is only 0.040" thick by 0.040" wide by 0.075" long, smaller size than AVX's MINITAN (TMH Series) "X" case size, 0.040" by 0.050" by long 0.075". This allows the lower value ceramic multilayer capacitors to fit into the same designs as the AVX tantalum capacitor's "X" size. It uses the same solder coated pure nickel lead wire suitable for either soldering or welding.



## HOW TO ORDER

<b>MC04</b>	<b>6</b>	<b>D</b>	<b>104</b>	<b>K</b>	<b>A</b>	<b>A</b>
<b>Component Size</b>	<b>Voltage Rating</b>	<b>Dielectric</b>	<b>Capacitance</b>	<b>Capacitance Tolerance</b>	<b>Failure Rate</b>	<b>Packaging Standard</b>
MC01 MC04 MC06	6 = 6.3V Y = 16V Z = 10V 5 = 50V 3 = 25V	C = X7R D = X5R A = NPO	First two digits are the significant figures of capacitance. Third digit indicates the additional number of zeros. For example, order 100,000 pF as 104. (For values below 10pF use "R" in place of decimal point, e.g., 1R4 = 1.4pF)	X7R & X5R: K = ±10% M = ±20% NPO: D = ±0.5pF J = ±5% K = ±10%	A = Not Applicable	25 pieces per bag

## SIZE AND CAPACITANCE SPECIFICATIONS

Dimensions: Millimeters (Inches)

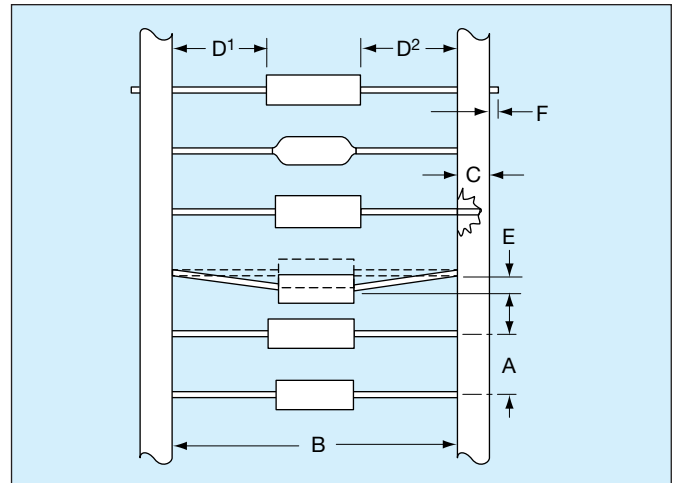
AVX Style		MC01	MC04				MC06		
<b>Max Length</b>		2.5 (.100)	1.9 (.075)				2.5 (.100)		
<b>Max Width</b>		1.3 (.050)	1.1 (.040)				1.32 (.052)		
<b>Max Thickness</b>		1.1 (.040)	1.1 (.040)				1.32 (.052)		
<b>Lead Diameter</b>		.178 ± .025 (.007 ± .001)							
<b>Lead Spacing</b>		0.825 ± 0.127 (.025 ± .005)	N/A				N/A		
<b>Type</b>		Radial	Axial				Axial		
<b>Cap. in pF</b>	<b>Typical AVX Part Nos.</b>	<b>WVDC</b>		<b>WVDC</b>				<b>WVDC</b>	
		<b>16</b>	<b>6.3</b>	<b>50</b>	<b>25</b>	<b>16</b>	<b>6.3</b>	<b>16</b>	<b>6.3</b>
<b>NPO</b>									
6.8	MC***A6R8DAA								
10	MC***A100JAA								
18	MC***A180KAA								
<b>X7R</b>									
330	MC***C331KAA								
560	MC***C561KAA								
1000	MC***C102KAA								
1500	MC***C152KAA								
2200	MC***C222KAA								
2700	MC***C272KAA								
3300	MC***C332KAA								
4700	MC***C472KAA								
6800	MC***C682KAA								
10,000	MC***C103KAA								
15,000	MC***C153KAA								
22,000	MC***C223KAA								
<b>X5R</b>									
33,000	MC***D333KAA								
47,000	MC***D473KAA								
68,000	MC***D683KAA								
100,000	MC***D104KAA								
150,000	MC***D154KAA								
220,000	MC***D224KAA								
330,000	MC***D334KAA								
470,000	MC***D474KAA								
1,000,000	MC***D105KAA								
2,200,000	MC***D225KAA								

## MARKING

Three digit Capacitance Code

## TAPE AND REEL

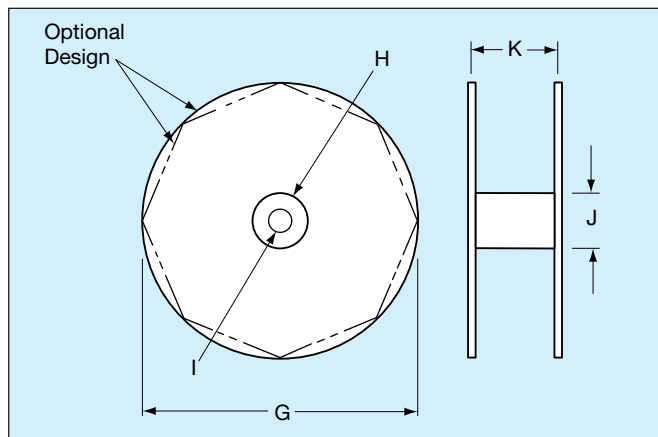
CLASS I / RS-296	
A.	5mm ± 0.5mm (.200" ± 0.020")
B*	52.4mm ± 1.5mm (2.063" ± 0.059")
C.	6.35mm ± 0.4mm (0.250" ± 0.016")
D <sup>1</sup> -D <sup>2</sup> .	1.4mm (0.055" MAX.)
E.	1.2mm (0.047" MAX.)
F.	1.6mm (0.063" MAX.)
G.	356mm (14.00")
H.	76mm (3.000")
I.	25.4mm (1.000")
J.	84mm (3.300")
K.	70mm (2.750")



**Leader Tape:** 300mm min. (12")

**Splicing:** Tape Only

**Missing Parts:** 0.25% of component count max.-  
No consecutive missing parts



## REEL QUANTITIES (MAX.) ‡

SA05	7,500 pcs.	MA10	5,000 pcs.
SA10	7,500 pcs.	MA20	5,000 pcs.
SA11	5,000 pcs.	MA30	3,000 pcs.
SA20	5,000 pcs.	MA40	3,000 pcs.
SA30	5,000 pcs.	MA50	950 pcs.
SA40	5,000 pcs.	MA60	650 pcs.

‡ 1000 pc. reels available for distribution pack only in ±1% and ±2% tolerance.

\* Standard Tape Spacing Shown. Also available in 26.0mm + 1.5mm, - 0mm, (1.023 in. + .059 in. - 0 in. ) for SpinGuards only. EIA Class I, II and III tape spacings are available for molded axials. Tape spacing for Class II is 63.5mm ± 1.5mm (2.50 in ± .059 in), and for Class III 73mm ± 1.5mm (2.87 in ± .059 in)

## ADDITIONAL PACKAGING AVAILABLE

### AMMO PACK

Tape Spacing	SA05, SA10 SA20	SA11 SA30	SA40	BOX SIZES (Nominal)		
				L	W	H
52.4mm ± 1.5mm (2.062" ± .059")	4,000 pcs.	2000	2,000 pcs.	255mm (10.039")	73mm (2.874")	93mm (3.661")
26.0mm + 1.5mm - 0mm (1.023" + .059" - 0")	4,000 pcs.*	2000	2,000 pcs.*	255mm (10.039")	48mm (1.889")	113mm (4.448")

\*SpinGuard only

### BULK PACK (MOLDED AXIALS ONLY)

MA10 MA20 MA30 MA40	100 pcs. (bag)
MA50 MA60	50 pcs. (bag)