

KSA & KSL MKII Series High Performance Sealed Tact Switch

Features/Benefits

- Highest tact switch sealing performance
- Improved sealing through a modification of the crimping technique and to a double overmolding of the terminal
- Totally sealed
- Up to 1M operations

Typical Applications

- Automotive
- Industrial
- Telecommunication networks
- Household appliances
- Heating control systems



Tactile Switches

Specification

CONTACT ARRANGEMENT: SPST, N.O.
TERMINALS: PC pins

Mechanical

Type	Actuation force N (grams)	Operating life (operations)	Travel to make
KSA0M212	1.3 (130)	100,000	0,5 ± 0,2
KSA0M312	1.3 (130)	1,000,000	0,5 ± 0,2
KSA0M412	3.0 (300)	100,000	0,6 ± 0,2
KSA0M512	5.0 (500)	100,000	0,7 ± 0,2
KSA0M912	3.0 (300)	500,000	0,6 ± 0,2

Packaging

Can be delivered in tubes of 65 pieces for automatic insertion or in boxes of 500 pieces for manual insertion (250 pieces for KSL)

NOTE: Part numbers listed above do not represent all possible configurations. For information on specific and custom switches, consult Customer Service Center.

Electrical

	Silver	Gold
MAXIMUM POWER:	1 VA	0.2 VA
MAXIMUM VOLTAGE:	50 VDC	50 VDC
MINIMUM VOLTAGE:	20 mV	20 mV
MAXIMUM CURRENT:	50 mA	10 mA
MINIMUM CURRENT:	1 mA	1 mA

DIELECTRIC STRENGTH: 300 Vrms
CONTACT RESISTANCE: 50 mΩ
INSULATION RESISTANCE (100 V): > 10¹¹ Ω
BOUNCE TIME: 1 ms

Environmental

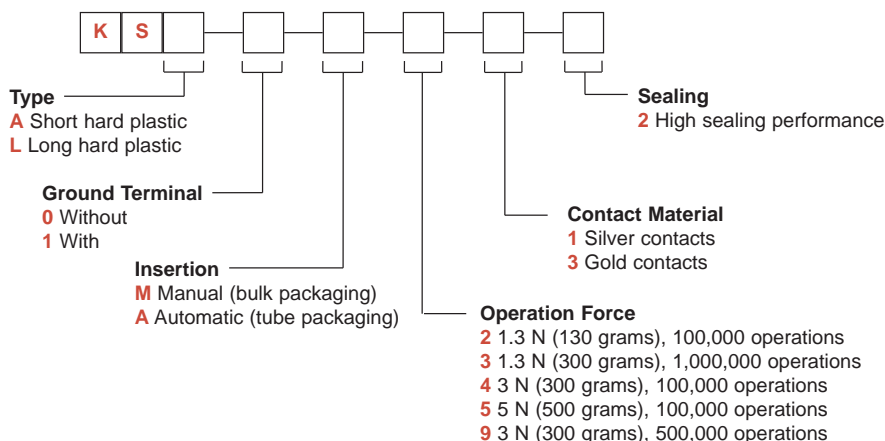
	Silver	Gold
OPERATING TEMPERATURE:	-40°C to 90°C	-40°C to 125°C
STORAGE TEMPERATURE:	-40°C to 90°C	-55°C to 125°C

Process

Wave soldering EIA-RS448-2

How To Order

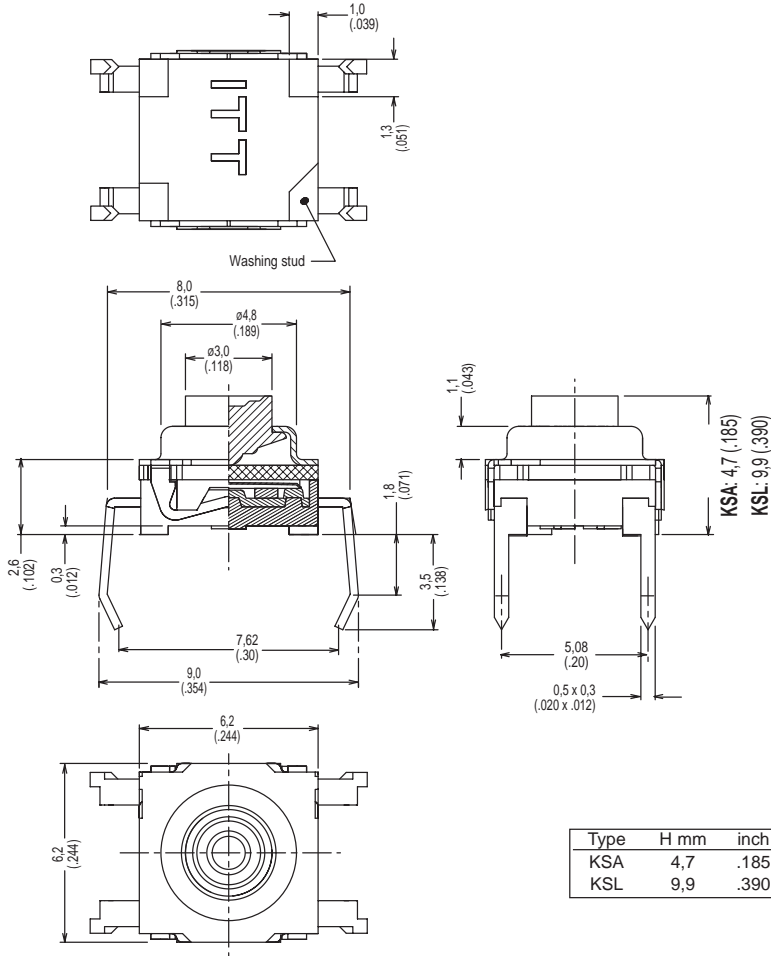
Our easy build-a-switch concept allows you to mix and match options to create the switch you need. To order, select desired option from each category and place it in the appropriate box.



KSA & KSL MKII Series High Performance Sealed Tact Switch

TYPE

KSA & KSL



KSA0M112



B

Tactile Switches

GROUND TERMINAL

0 WITHOUT

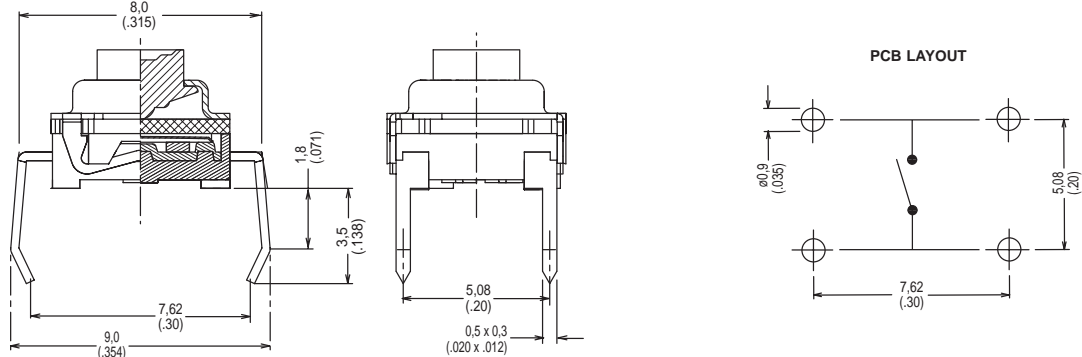
1 WITH

KSA & KSL MKII Series High Performance Sealed Tact Switch

INSERTION

M MANUAL (bulk packaging)

A AUTOMATIC (tube packaging)



OPERATING FORCE

OPTION CODE	OPERATING FORCE
2	1.3 N (130 grams) 100,000 operations
3	1.3 N (130 grams) 1,000,000 operations
4	3 N (300 grams) more than 100,000 operations
5	5 N (500 grams) more than 100,000 operations
9	3 N (300 grams) 500,000 operations

CONTACT MATERIAL

OPTION CODE	CONTACT MATERIAL
1	Silver contacts
3	Gold contacts

SEALING

OPTION CODE	SEALING
2	High sealing performance

Tactile Switches

B