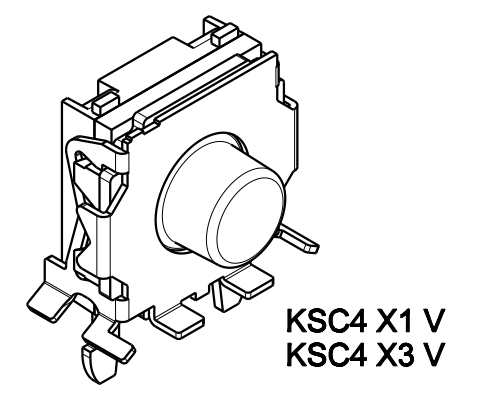
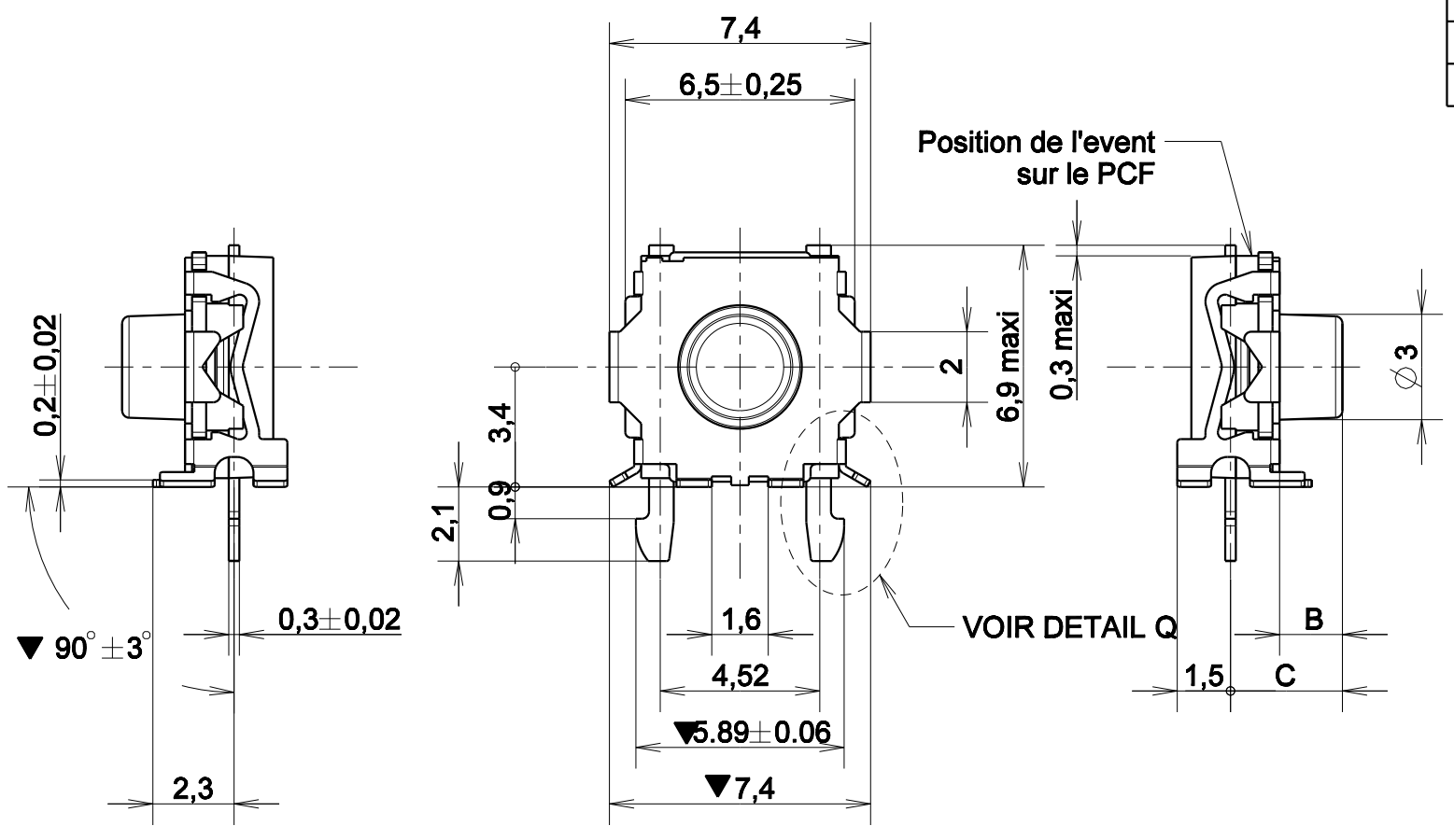


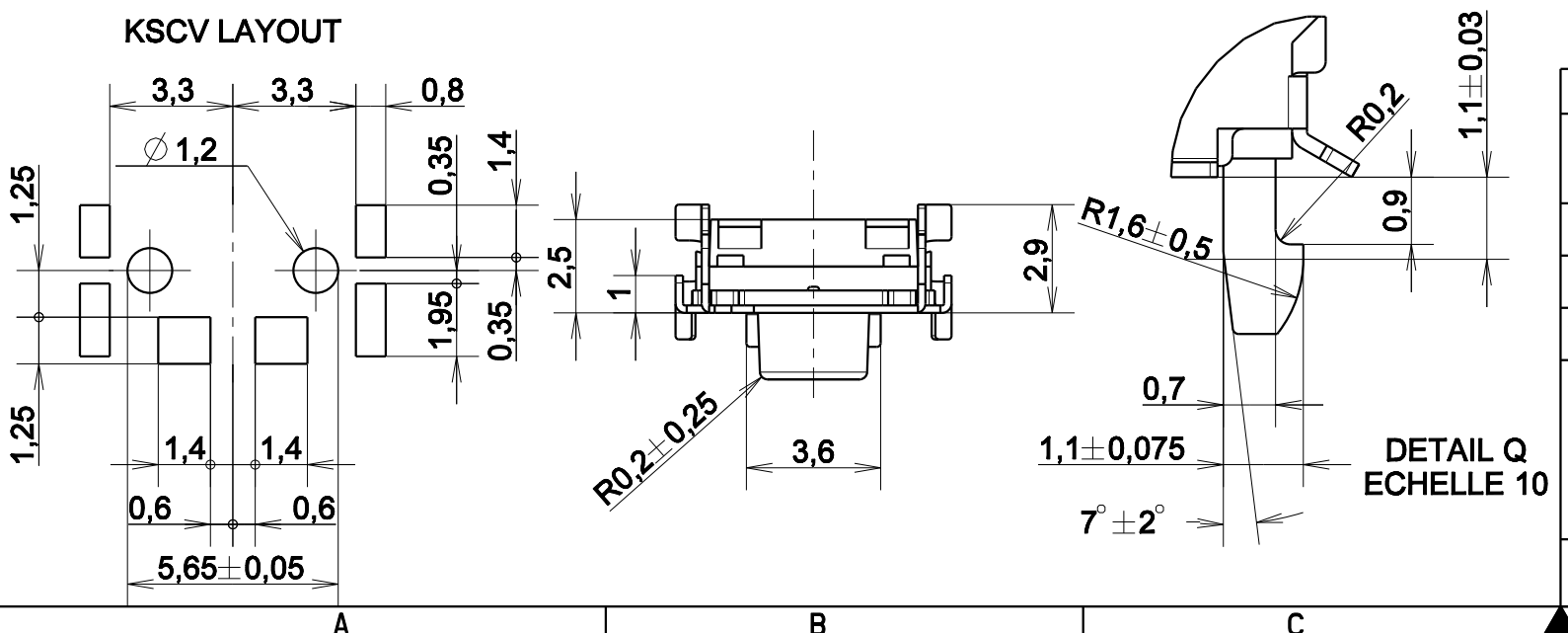
REV.	N° DCR	NATURE DE LA MODIFICATION	DATE	VISA
H	Z 182	Changement de references cloques	21/11/2002	L_B
J	CREATION	Creation des references " Lead free "	24/06/2005	L_B
K	D2000372	Deflection KSC 421/2V passe de 0.5 ± 0.25 a 0.375 ± 0.225	20/09/2005	V_P
L	D2000374	Creation des ref LFG et separation des ref LFT dans un nouveau plan master 31 M4V 704 FP	03/10/2005	L_B
M	D2000499	KSCV layout . Correction valeur delta $\pm 15\%$ \Rightarrow ± 15	27/01/2006	L_B
N	ECR-414	suppression des 6 references KSC44X	29/05/2006	L_B
P	ECR-3451	Suppression ref Y31A24442FP LFG ; Y31A22442FP et Y31A22442FP LFS	01/09/2010	G_P
Q	ECR-5702	Suppression des versions non LF	01/03/2012	L_B

REFERENCE	DESIGNATION	B	C	▼Fa (N)		▼Fr (N)	▼△% ± 15	▼meca&elec deflection (mm)
				Mini	Maxi			
Y31A21443FP LFS	KSC4 21 V 30° act 3,17 LFS	1,78	3,17					
Y31A21442FP LFS	KSC4 21 V 30° act 2,95 LFS	1,56	2,95	1,3	2,1	≥0,4	35	0,375±0,225
Y31A23443FP LFG	KSC4 23 V 30° act 3,17 LFG	1,78	3,17					
Y31A23442FP LFG	KSC4 23 V 30° act 2,95 LFG	1,56	2,95					



SYSTEM CONFIDENTIAL

CE PLAN EST LA PROPRIETE DE CBK COMPONENTS SAS ET NE PEUT ETRE REPRODUIT OU COMMUNIQUE SANS SON AUTORISATION



MATERIAL / VOLUME	TREATMENT	PROTECTION
UNLESS OTHERWISE : - DIMENSIONS GIVEN BEFORE PROTECTION - BURRS AND SHARP EDGES DELETED	ANGULAR TOLERANCE $\pm 1^\circ$ LINEAR TOLERANCE $\pm 0,13$ SURFACE FINISH Ra	CRITICAL DIMENSIONS $\nabla 7$ SPC DIMENSIONS $\nabla 0$
CREATE BY BOUVIER_L DATE 23-06-2000		MODIFIED ON THIS REV. ●
CHECKED BY . DATE .	MODIFICATION see revision table on the first sheet	
APPROVED BY . DATE .	REPLACE .	
	FILENAME 31_M4V_701_CU_GVWWD9 FOLDER Dossier racine/dole_south_rd/ksc/standard/produit	
	PART DESCRIPTION	
G&K C&K Components	SCALE 5,00	KSC4 V 30° KSC4 V 30° LFG & LFS act 2,95 white . act 3,17 black
BP 359 - 39105 Dole - FRANCE -	SIZE A3 SHEET 1 / 1	PART NUMBER CU 31M4V701FP REV Q