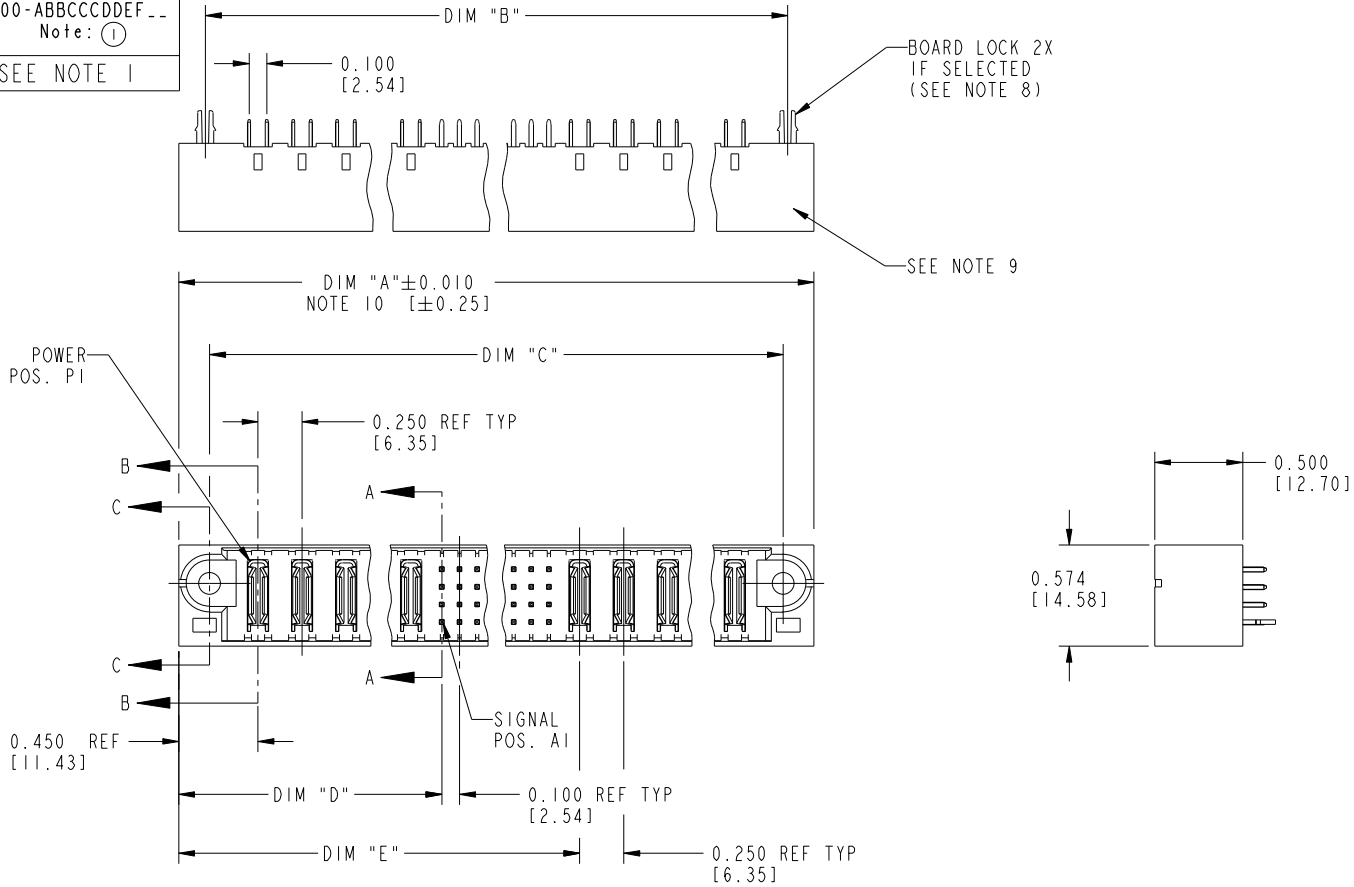


Tous droits strictement réservés. Reproduction ou communication à des tiers interdite sous quelque forme que ce soit sans autorisation écrite du propriétaire. Propriété de c.FCI. Droits de reproduction FCI.



All rights strictly reserved. Reproduction or issue to third parties in any form whatever is not permitted without written authority from the proprietor. Property of FCI. Copyright FCI.

PRODUCT NUMBER
51700-ABBCCDDEF --
Note: ①
SEE NOTE 1



mat'l code				NOTE 2		tolerances unless otherwise specified		CUSTOMER		 www.fciconnect.com	
ltr	ecn no.	dr	date	linear	.XX±.01/0.XX±0.3		COPY		title VERTICAL HEADER w/ GUIDE PIN POWER / SIGNAL / POWER		
K	DG05-0132	SJ	05/26/05		.XXX±.005/0.XX±0.13		projection				
L	DG05-0435	SW	11/03/05	angles	.XXX±.0020/.XXX±.051		 INCH/MM		product family PWRBLADE code 213		
M	DG05-0485	GuoJM	11/21/05		0°±2°		scale 1:1		size dwg no 51700 sheet 1 of 3		
N	DG08-0123	SH	05/19/08	dr	JRW	10-12-01	A		cage code 22526		
				enr	J.ALLISON	10-12-01					
				chr	J.ALLISON	10-12-01					
				appd	J.ALLISON	10-12-01					
sheet index	revision sheet	N 1	N 2	N 3							

Pro/E

cage code 22526

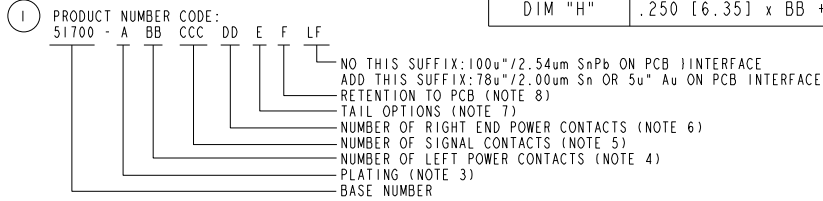
Tous droits strictement réservés. Reproduction ou communication à des tiers interdite sous quelque forme que ce soit sans autorisation écrite du propriétaire. Propriété de c FCI. Droits de reproduction FCI.

All rights strictly reserved. Reproduction or issue to third parties in any form whatever is not permitted without written authority from the proprietor. Property of FCI. Copyright FCI.

PRODUCT NUMBER
51700-ABBCCDDEF -- Note: ①
SEE NOTE 1

DIM	LENGTH FORMULAS (SEE NOTE 10)
DIM "A"	.250 [6.35] x BB + .100 [2.54] x (CCC/4) + .250 [6.35] x DD + .650 [16.51] (NOTE 10)
DIM "B"	.250 [6.35] x BB + .100 [2.54] x (CCC/4) + .250 [6.35] x DD + .350 [8.89]
DIM "C"	.250 [6.35] x BB + .100 [2.54] x (CCC/4) + .250 [6.35] x DD + .300 [7.62]
DIM "D"	.250 [6.35] x BB + .375 [9.53]
DIM "E"	.250 [6.35] x BB + .100 [2.54] x (CCC/4) + .450 [11.43]
DIM "F"	.250 [6.35] x BB + .100 [2.54] x (CCC/4) + .250 [6.35] x DD + .680 [17.27]
DIM "G"	.250 [6.35] x BB + .225 [5.72]
DIM "H"	.250 [6.35] x BB + .100 [2.54] x (CCC/4) + .250 [6.35]

CONNECTOR NOTES



① PRODUCT NUMBER CODE:
51700 - A BB CCC DD E F LF
NO THIS SUFFIX: 100u"/2.54um SnPb ON PCB INTERFACE
ADD THIS SUFFIX: 78u"/2.00um Sn OR 5u" Au ON PCB INTERFACE
RETENTION TO PCB (NOTE 8)
TAIL OPTIONS (NOTE 7)
NUMBER OF RIGHT END POWER CONTACTS (NOTE 6)
NUMBER OF SIGNAL CONTACTS (NOTE 5)
NUMBER OF LEFT POWER CONTACTS (NOTE 4)
PLATING (NOTE 3)
BASE NUMBER

- ② HOUSING MATERIAL: UL 94 V-0 GLASS FILLED HIGH TEMP THERMOPLASTIC
POWER CONTACT MATERIAL: COPPER ALLOY
SIGNAL CONTACT MATERIAL: COPPER ALLOY
- ③ PLATING OPTION:
SEE PRINT 10064183 FOR PLATING SPEC OF 51700-ABBCCDDEF; 51700-ABBCCDDEFLF.
- ④ LEFT END POWER CONTACTS, 01 TO 20 AVAILABLE.
MAXIMUM OF 20 POWER CONTACTS PER CONNECTOR.
- ⑤ SIGNAL CONTACT, 004 TO 148 AVAILABLE.
- ⑥ RIGHT END POWER CONTACTS, 01 - 20 AVAILABLE.
MAXIMUM OF 20 POWER CONTACTS PER CONNECTOR.
- ⑦ TAIL OPTIONS:
A = 0.135 +0.015/-0.010 [3.43 +0.38/-0.25] SOLDER TO BOARD
B = 0.165 +0.015/-0.010 [4.19 +0.38/-0.25] SOLDER TO BOARD
C = 0.165 +0.015/-0.010 [4.19 +0.38/-0.25] PRESS FIT
- ⑧ RETENTION TO PCB OPTIONS:
A = BOARD LOCK (REQUIRES 0.098 +0.002/-0.001 [2.49 +0.05/-0.03] THUR HOLE IN PCB).
RECOMMENDED ON SYMMETRIC CONNECTORS.
BOARD LOCK TO BE USED IN CONJUNCTION WITH A .092 PCB OR THICKER.
C = NO RETENTION FEATURE.

- ⑨ MANUFACTURE'S NAME, P/N, AND DATE CODE TO APPEAR ON THIS SURFACE.
- ⑩ THE MAXIMUM OVERALL LENGTH (DIM A) OF A PART IS 8.00 [203.2].
- 11 PRODUCT SPECIFICATION GS-12-149.
- 12 SEE PWRBLADE VERTICAL HEADER SPECIAL WORKSHEET (51696) FOR MATING LENGTH OPTIONS.
- ⑬ DIMENSIONS AND TOLERANCES ARE IN ACCORDANCE WITH ASME Y14.5m, 1994 UNLESS OTHERWISE SPECIFIED.
- PCB NOTES:
14. ALL DIMENSIONS ARE BASIC UNLESS OTHERWISE SPECIFIED.
15. ALL THROUGH HOLES ARE LOCATED WITH A TRUE POSITION OF 0.004 [0.10]
16. ALL HOLE DIAMETERS ARE FINISHED HOLE SIZE
17. Ø0.098 [2.49] THROUGH HOLES ARE UNPLATED.
18. Ø0.0453±0.0010 [1.151±0.025] DRILLED HOLES PLATED WITH 0.0003 [0.008] MIN SnPb OVER 0.001 [0.03] TO 0.003 [0.08] Cu PLATING TO ACHIEVE A Ø0.040±0.003 [1.02±0.07] HOLE.
19. FOR PRESSFIT APPLICATION USE FCI CAM TOOL 430169-XXX.
20. A Δ SYMBOL WILL BE NEXT TO ANY DIMENSION, VIEW, OR NOTE WHICH HAS BEEN MODIFIED WITH THE CURRENT DRAWING REVISION.

mat'l code		NOTE 2		tolerances unless otherwise specified		CUSTOMER		FCI	
ltr	ecr no.	dr	date	linear	.XX±.01/0.X±0.3	COPY		www.fciconnect.com	
N				projection	.XXX±.005/0.XX±0.13	projection		title VERTICAL HEADER w/ GUIDE PIN POWER / SIGNAL / POWER	
				angles	.XXX±.0020/.XXX±.051	INCH/MM		product family PWRBLADE code 213	
				dr	0°±2°	scale 1:1		size dwg no 51700 sheet 2	
				enr	JRW 10-12-01				
				chr	J.ALLISON 10-12-01				
				appd	J.ALLISON 10-12-01				
sheet index	revision sheet								

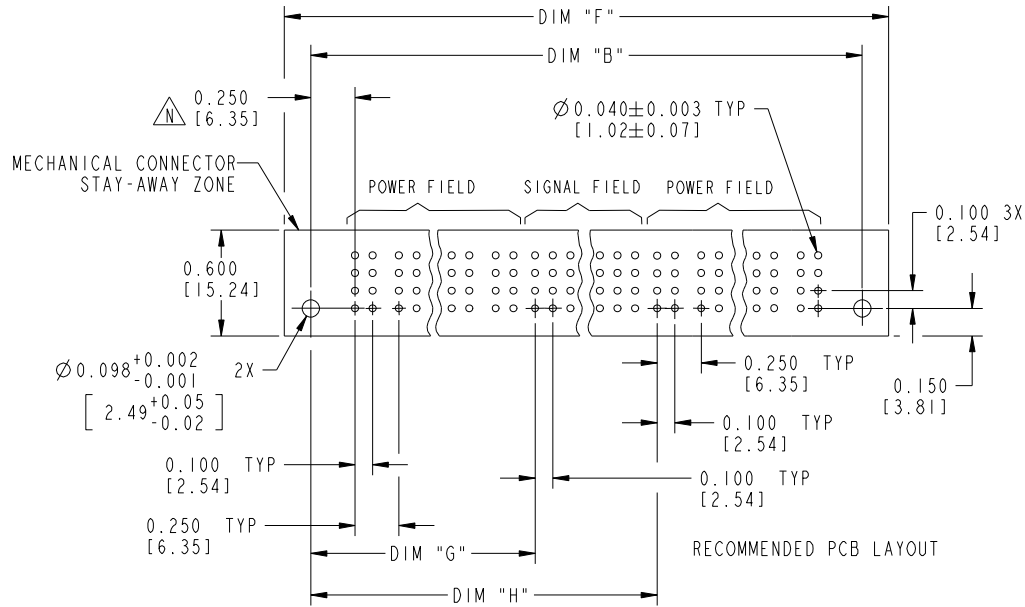
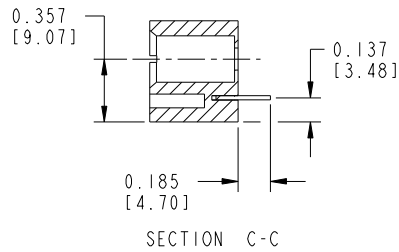
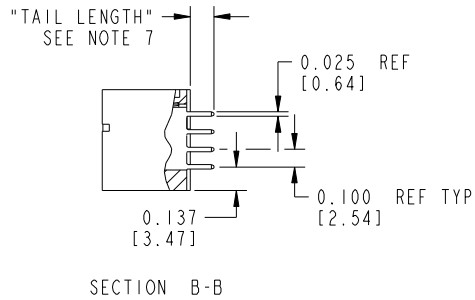
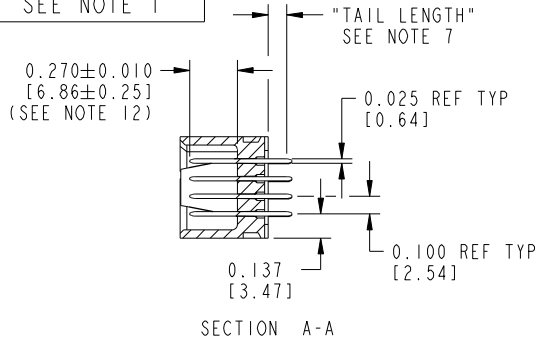
cage code 22526

Pro/E

Tous droits strictement réservés. Reproduction ou communication à des tiers interdite sous quelque forme que ce soit sans autorisation écrite du propriétaire. Propriété de c.FCI. Droits de reproduction FCI.

All rights strictly reserved. Reproduction or issue to third parties in any form whatever is not permitted without written authority from the proprietor. Property of FCI. Copyright FCI.

PRODUCT NUMBER
51700-ABBCCDDDEF -- Note: ①
SEE NOTE 1



mat'l code		NOTE 2		tolerances unless otherwise specified		CUSTOMER		FCJ	
ltr	ecn no.	dr	date	linear	.XX±.01/0.X±0.3	COPY		www.fciconnect.com	
N				angles	.XXX±.005/0.XX±0.13	projection		title VERTICAL HEADER w/ GUIDE PIN POWER / SIGNAL / POWER	
				dr	.XXX±.0020/.XXX±.051	INCH/MM		product family PWRBLADE code 213	
				enr	J.ALLISON 10-12-01	scale 1:1		size dwg no 51700 sheet 3	
				chr	J.ALLISON 10-12-01				
				appd	J.ALLISON 10-12-01				
sheet index	revision sheet								

Pro/E

cage code 22526