

Interactive Catalog Replaces Catalog Pages

Honeywell Sensing and Control has replaced the PDF product catalog with the new **Interactive Catalog**. The **Interactive Catalog** is a power search tool that makes it easier to find product information. It includes more installation, application, and technical information than ever before.



**Click this icon to try the new
Interactive Catalog.**

Sensing and Control

Honeywell Inc.

11 West Spring Street

Freeport, Illinois 61032

Basic Switches

Double-pole Double-throw

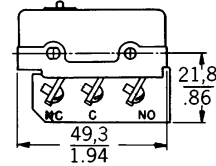


FEATURES

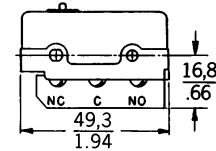
- Two independent single-pole double-throw circuits on one housing
- Design permitting several wiring combinations
- Savings in space and weight
- Mounting interchangeability with type Z switches
- Temperature tolerance to +180°F (82°C)
- UL recognized, CSA certified

AVAILABLE TERMINALS

B6
6-32 UNC x .188"
(No. 5 pan head screws)



A7
4-40 UNC x .125"
Screws with lockwashers.
Fiberglass insulator isolates terminals and prevents accidental shorting.



ELECTRICAL RATING

| Circuitry | Electrical Data and UL Codes |
|------------------------------|--|
| Double-pole double-throw | J 10 amps, 125 or 250 vac; 0.3 amp, 125 vdc; 0.15 amp, 250 vdc. UL Code L59 |

Characteristics: O.F. — Operating Force; R.F. — Release Force; P.T. — Pretravel; O.T. — Overtravel; D.T. — Differential Travel; O.P. — Operating Position.

DOUBLE-POLE DOUBLE-THROW



Dim. Dwg. Fig. 1

ORDER GUIDE

| Catalog Listing | Description | Electrical Data and UL Code | O.F. max. newtons | R.F. min. newtons | P.T. max. mm inches | O.T. mm inches | D.T. max. min. mm inches | O.P.* mm inches |
|-------------------------------------|-------------|-----------------------------|---------------------------|-------------------|---------------------|---------------------|-------------------------------|--------------------------|
| DT-2R-A7 MS25008-1 | Pin plunger | 10 Amps J | 3,34-5,56 12-20 | 0,56 2 | 1,91 .075 | 0,13 .005 | 1,02-1,52 .040-.060 | 15,6 .615±.015 |



Dim. Dwg. Fig. 9

| | | | | | | | | |
|-------------------|------------------|---------------------|---------------------------|------------------|---------------------|---------------------|-------------------------------|-------------------------------|
| DT-2RS1-A7 | Straight plunger | 10 Amps J | 3,34-5,56 12-20 | 0,28 1 | 1,91 .075 | 0,51 .020 | 1,02-1,52 .040-.060 | 28,2±0,38 1.11±.015 |
|-------------------|------------------|---------------------|---------------------------|------------------|---------------------|---------------------|-------------------------------|-------------------------------|



Dim. Dwg. Fig. 3

| | | | | | | | | |
|-------------------|---|---------------------|-------------------------|--------------------|---------------------|---------------------|-------------------------------|---------------------|
| DT-2RV3-A7 | Straight lever Reversed lever position | 10 Amps J | 1,11-1,95 4-7 | 0,14 0.5 | 6,86 .270 | 0,25 .010 | 2,92-4,83 .115-.190 | 18,3 .719 |
|-------------------|---|---------------------|-------------------------|--------------------|---------------------|---------------------|-------------------------------|---------------------|



Dim. Dwg. Fig. 2

| | | | | | | | | |
|------------------|----------------|---------------------|---------------------------|------------------|------------------|---------------------|-------------------------------|---------------------|
| DT-2RV-A7 | Straight lever | 10 Amps J | 0,97-1,67 3.5-6 | 0,28 1 | 25,4 1 | 1,57 .062 | 12,4-19,2 .490-.755 | 21,8 .859 |
|------------------|----------------|---------------------|---------------------------|------------------|------------------|---------------------|-------------------------------|---------------------|

Except where stated * ±0.76 mm ±.030 in.

Basic Switches

Double-pole Double-throw

ORDER GUIDE



Dim. Dwg. Fig. 8

| Catalog Listing | Recommended For | Electrical Data and UL Codes | O.F. max. newtons ounces | R.F. min. newtons ounces | P.T. max. mm inches | O.T. min. mm inches | D.T. max. mm inches | O.P.* mm inches |
|-----------------|--------------------------------------|------------------------------|--------------------------|--------------------------|---------------------|---------------------|-------------------------------|--------------------|
| DT-2RV216-A7 | Roller lever (centered steel roller) | 10 Amps J | 11,1 2.5 lbs. | 1,11 4 | 1,02 .040 | 0,13 .005 | 0,51-0,76 .020-.030 | 31 1.219 |



Dim. Dwg. Fig. 5

| | | | | | | | | |
|-------------|--|---------------------|-------------------------|------------------|---|---------------------|-------------------------------|--------------------------------|
| DT-2RV22-A7 | 1.03 inch (26,2mm) roller lever (steel roller) | 10 Amps J | 2,5-4,17 9-14 | 0,83 3 | - | 0,79 .031 | 4,95-7,75 .195-.305 | 30,2±0,38 1.188±.015 |
|-------------|--|---------------------|-------------------------|------------------|---|---------------------|-------------------------------|--------------------------------|



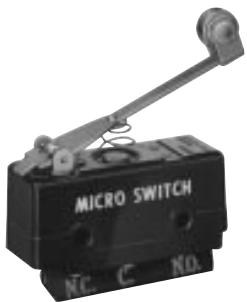
Dim. Dwg. Fig. 7

| | | | | | | | | |
|--------------|--------------------------------------|---------------------|-------------------------|--------------------|--------------------|---------------------|-------------------------------|----------------------|
| DT-2RV212-A7 | Roller lever Reversed lever position | 10 Amps J | 2,5-4,17 9-15 | 0,42 1.5 | 3,3 .130 | 0,13 .005 | 1,27-2,16 .050-.085 | 29,4 1.156 |
|--------------|--------------------------------------|---------------------|-------------------------|--------------------|--------------------|---------------------|-------------------------------|----------------------|



Dim. Dwg. Fig. 6

| | | | | | | | | |
|-------------|--------------------------------------|---------------------|-----------------------------|--------------------|---------------------|---------------------|-------------------------------|----------------------|
| DT-2RV23-A7 | Roller lever Reversed lever position | 10 Amps J | 1,53-2,64 5.5-9.5 | 0,21 .75 | 4,45 .175 | 0,25 .010 | 2,16-3,43 .085-.135 | 29,4 1.156 |
|-------------|--------------------------------------|---------------------|-----------------------------|--------------------|---------------------|---------------------|-------------------------------|----------------------|



Dim. Dwg. Fig. 4

| | | | | | | | | |
|------------|---|---------------------|-----------------------------|--------------------|---|---------------------|-------------------------------|----------------------|
| DT-2RV2-A7 | 1.90 inch (48,3 mm) roller lever (steel roller) | 10 Amps J | 1,25-2,09 4.5-7.5 | 0,42 1.5 | — | 1,19 .047 | 9,27-14,4 .365-.565 | 31,8 1.250 |
|------------|---|---------------------|-----------------------------|--------------------|---|---------------------|-------------------------------|----------------------|

Except where stated * ±0,76 mm ±.030 in.

Auxiliary actuators see page 68-69.

Standard Basic Switches

Basic Switches

DT Series

Double-pole Double-throw

MOUNTING DIMENSIONS (For reference only)

PIN PLUNGER

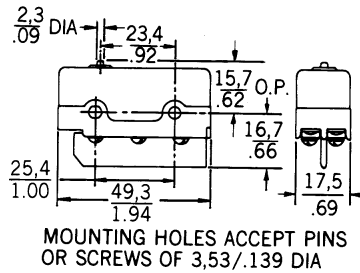


Fig. 1

STRAIGHT LEVER

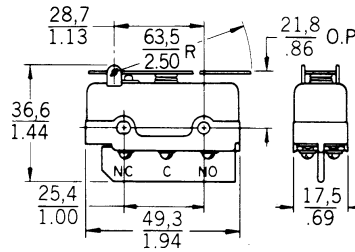


Fig. 2

STRAIGHT LEVER

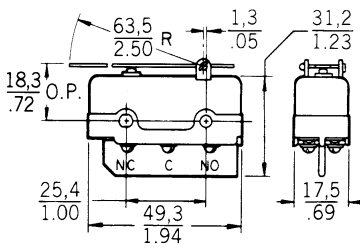


Fig. 3

ROLLER LEVER

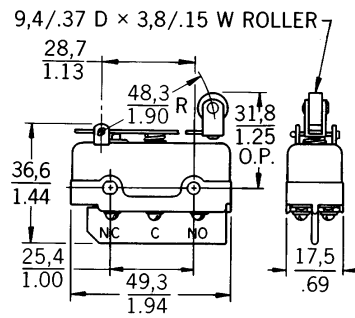


Fig. 4

Key: $\frac{0,0}{0.00} = \frac{\text{mm}}{\text{inches}}$

Basic Switches

DT Series

Double-pole Double-throw

MOUNTING DIMENSIONS (For reference only)

ROLLER LEVER

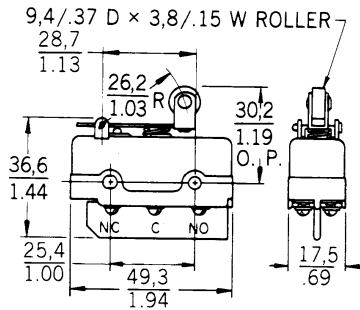


Fig. 5

ROLLER LEVER

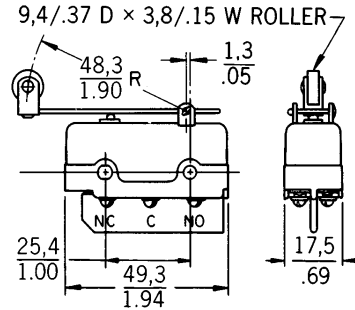


Fig. 6

ROLLER LEVER

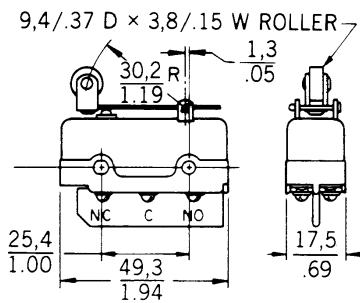


Fig. 7

ROLLER LEVER

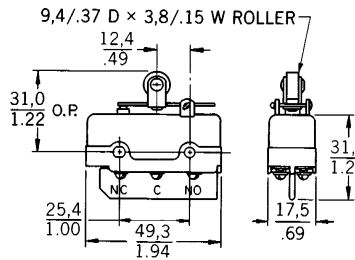


Fig. 8

STRAIGHT PLUNGER

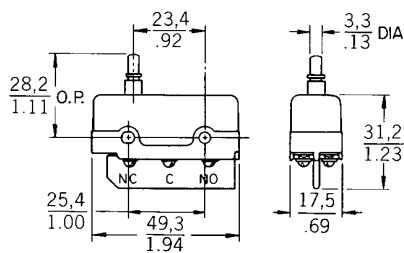


Fig. 9

Standard
Basic Switches