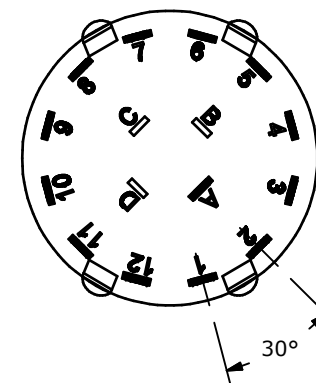
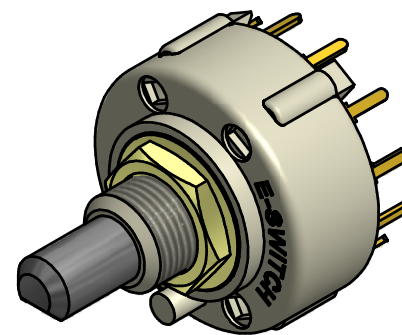
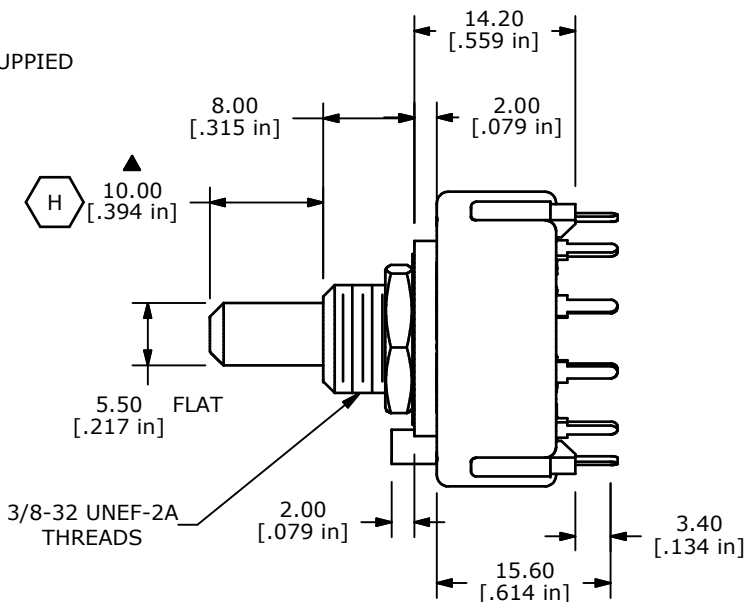
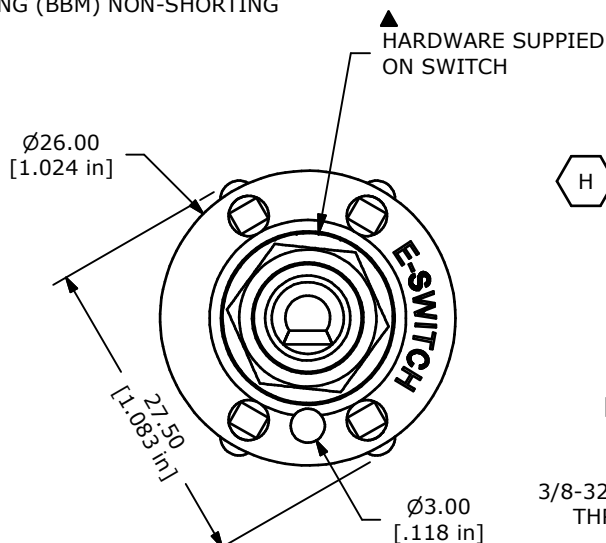
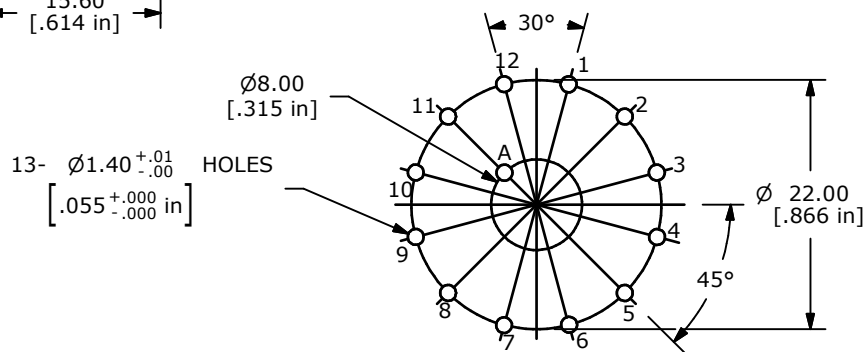


CONTACT CONFIGURATION
TIMING (BBM) NON-SHORTING



NOTE:

1. ALL DIMENSIONS IN MM[INCH].
2. GENERAL TOLERANCE: X.X=± 0.4
X.XX=± 0.25
3. TERM. NOS. FOR REFERENCE ONLY.
- ▲ 4. CONTACT MATERIAL: GOLD
5. CONTACT RATING: 150MILLIAMP, 250VAC/DC
350MILLIAMP, 110VAC/DC
6. CONTACT RATING (NON-SWITCHING) 5A
7. OPERATING FORCE 425± 100CM/STANDARD
8. OPERATING TEMP: -30°C TO 85°C
- ▲ 9. CIRCUIT SP: 12 POSITION 30° INDEX
10. DIELECTRIC STRENGTH: 1000V RMS MIN.@ SEA LEVEL.
- ▲ 11. HARDWARE SUPPLIED ON SWITCH: LOCKWASHER, HEXNUT
12. ▲ DENOTES CRITICAL PARAMETER.



P.C.B MOUNTING PLATE

H	21392	CORRECTED ACTUATOR LENGTH	3/4/14	EBP
G	15290	ADDED PCB MOUNING PLATE	9/19/05	PH
F	15276	REVISED NOTE 9	9/14/05	PH
E	14496	REVISED & REDRAWN	11/12/04	AR
REV	PCR NO	DESCRIPTION	DATE	BY

THE INFORMATION CONTAINED IN THIS DOCUMENT IS PROPRIETARY TO E-SWITCH AND IS NOT TO BE COPIED OR TRANSFERRED



TITLE KC52A10.001NPF

SCALE	DATE	DR	DWG	REV
1.5:1	3/5/2001	CJB	G510346	H