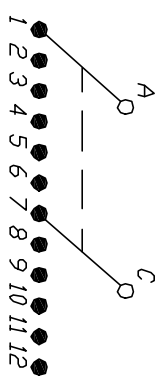
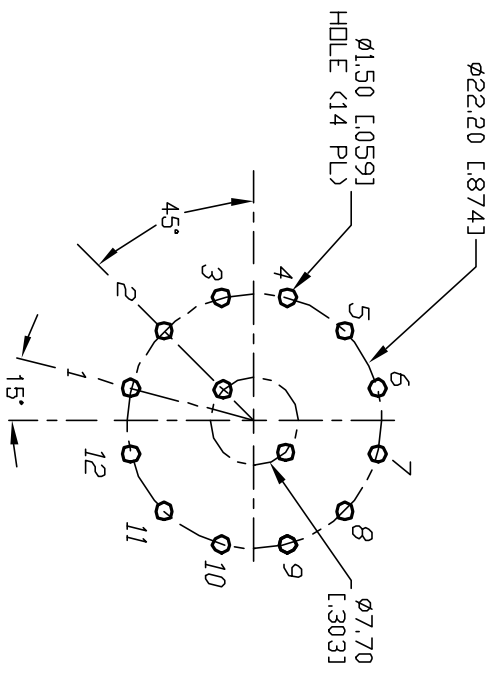


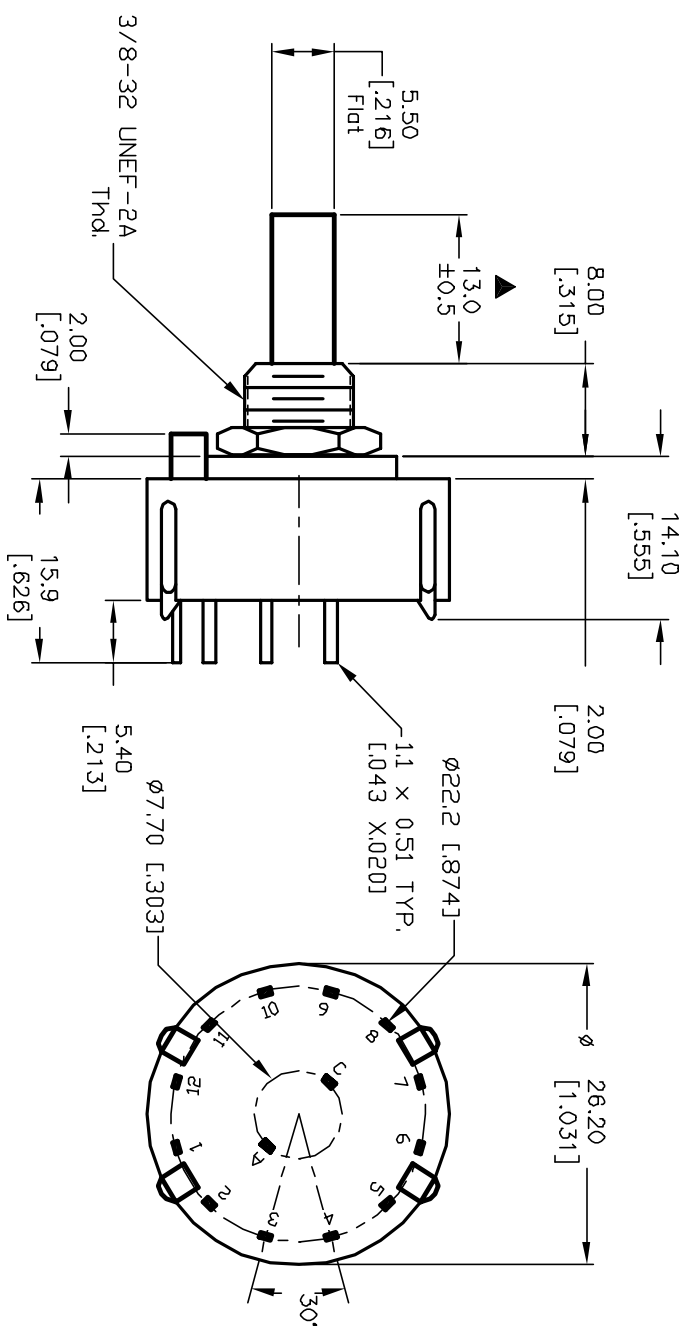
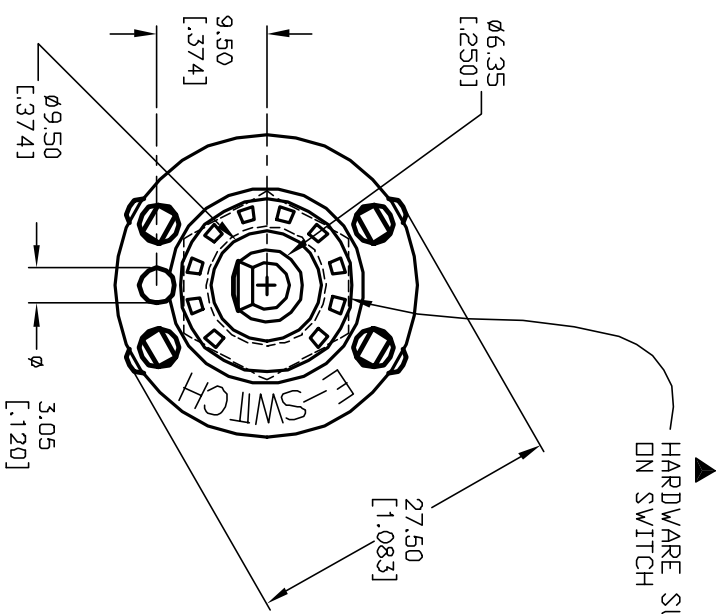
- NOTES:
1. ALL DIMENSION IN MM [INCH]
  2. GENERAL TOLERANCE: X.X=±0.4  
X.XX=±0.25
  3. TERM. NOS. FOR REF. ONLY
  4. CONTACT RATING SWITCHING: 150mA, 250V AC/DC  
350mA, 110V AC/DC
  5. OPERATING FORCE: 425±100 CM/STANDARD
  6. OPERATING TEMP: -30° to 85°C
  7. CIRCUIT DP: 6 POSITIONS, 30° INDEX.
  8. DIELECTRIC STRENGTH: 1000V RMS min. @SEA LEVEL
  9. DESIGNATE MAJOR DIMENSIONS
  10. HARDWARE SUPPLIED ON SWITCH- SEE BELOW  
STOPPING, LOCKWASHER, & HEXNUT



CONTACT CONFIGURATION  
TIMING: NON-SHORTING (BBM)



RECOMMENDED P.C.B. LAYOUT



REVISED NOTE 10		3/5/03	CJB	TITLE		KC-26-A-(13.0mm) 01-N-P-S	
RELEASED FOR PRODUCTION		8/12/02	CJB	SCALE		1.5:1	
DESCRIPTION		DATE	CHKD	DATE		DR	DWG
ECN No.				8/12/02		CJB	G510451
REV.				DATE		DR	DWG
A		12361		8/12/02		CJB	G510451
B		12821		3/5/03		CJB	G510451

THE INFORMATION CONTAINED IN THIS DOCUMENT IS PROPRIETARY TO E-SWITCH AND IS NOT TO BE COPIED OR TRANSFERRED

**E-SWITCH®**