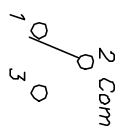


RECOMMENDED P.C.B. LAYOUT

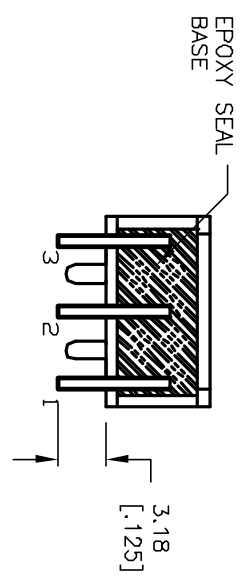
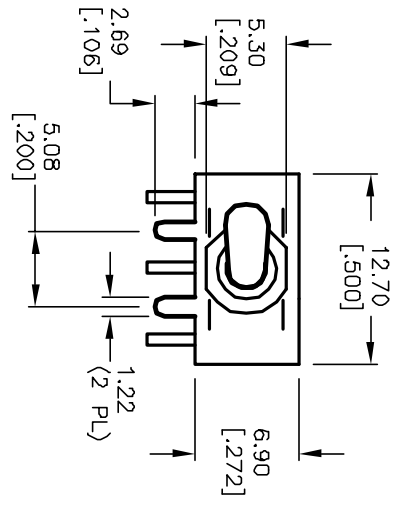


CIRCUIT: SPDT CONTACT CONFIGURATION

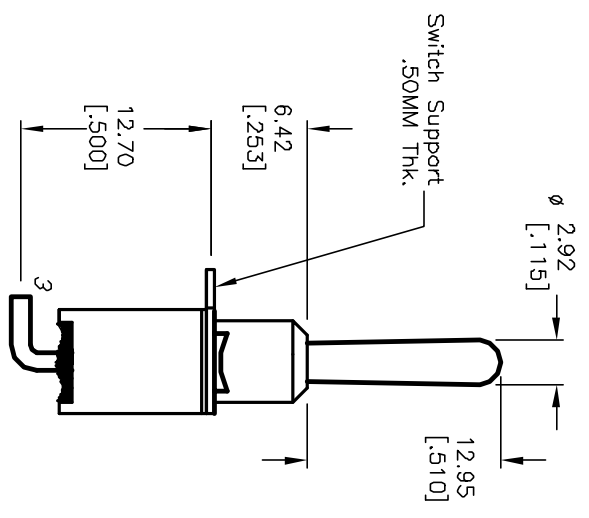
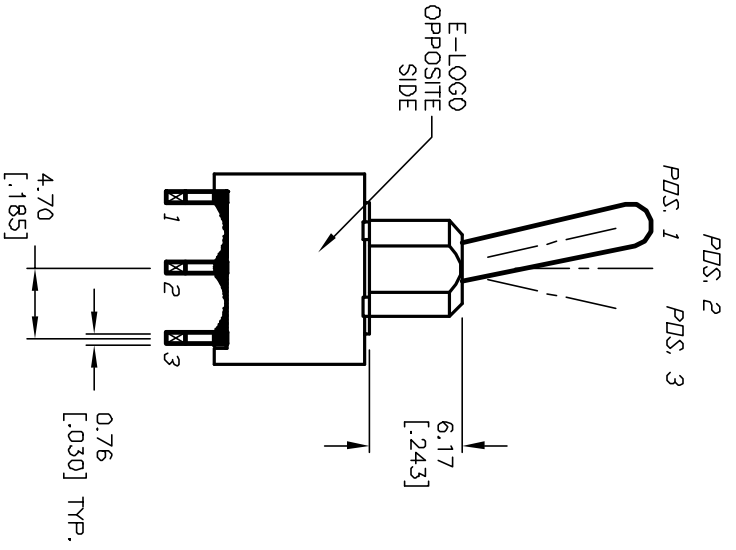
| SWITCH FUNCTION |        |        |
|-----------------|--------|--------|
| POS. 1          | POS. 2 | POS. 3 |
| DN              | NONE   | CN     |
| 2-3             | OPEN   | 2-1    |

NOTES:

1. ALL DIMENSIONS IN MM [INCH]
2. GENERAL TOLERANCE: X.X=±0.4 X.XX=±0.25
3. TERM. NOS. FOR REF. ONLY
4. RATING: 3A @120VAC or 28VDC; 1A @250VAC
5. FIXED TERM. & MOVING CONTACT: COPPER ALLOY W/SILVER PLATE.
6. ELECTRICAL LIFE: 50,000 make-and-break cycles at full load.
7. INSULATION RESISTANCE: 1,000M ohm min.
8. DIELECTRIC STRENGTH: 1,000V RMS @sea level.
9. OPERATING TEMP.: -30°C to +85°C.



REAR VIEW



|      |         |                         |        |       |
|------|---------|-------------------------|--------|-------|
| REV. | ECN No. | DESCRIPTION             | DATE   | CHK'D |
| A    | 12047   | RELEASED FOR PRODUCTION | 4/9/02 | CJB   |

|                         |       |        |     |         |     |
|-------------------------|-------|--------|-----|---------|-----|
| TITLE                   | SCALE | DATE   | DR  | DWG     | REV |
| 100A WSP-2 T1 B4 M6 Q E | 2:1   | 4/9/02 | CJB | T102022 | A   |



THE INFORMATION CONTAINED IN THIS DOCUMENT IS PREPARED FOR E-SWITCH AND IS NOT TO BE COPIED OR TRANSMITTED