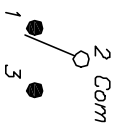
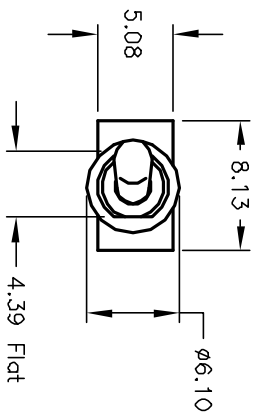


RECOMMENDED P.C.B. LAYOUT

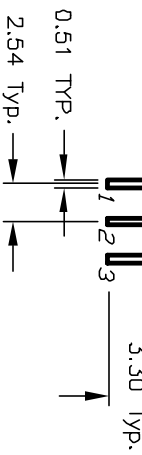
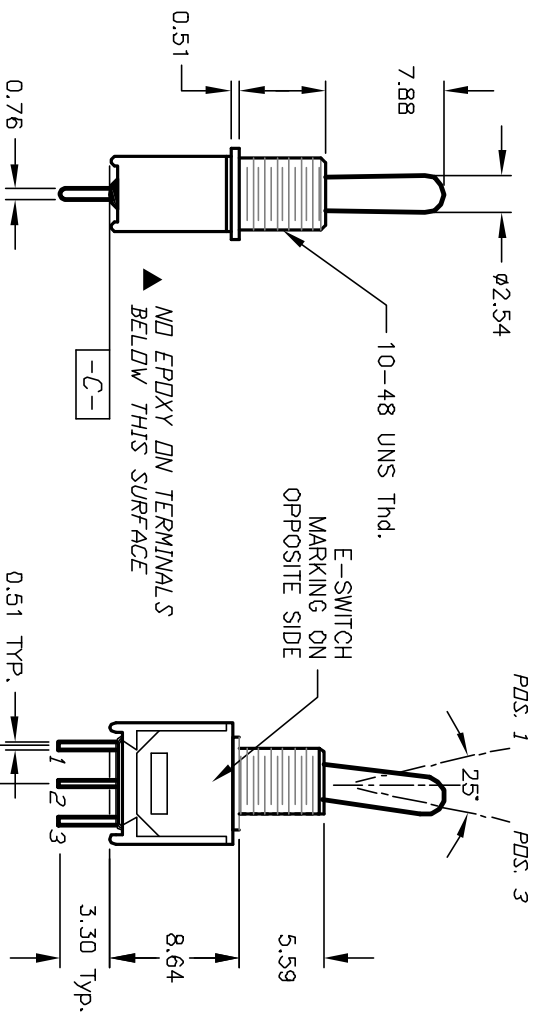


CIRCUIT: SPDT
CONTACT CONFIGURATION

SWITCH FUNCTION		
POS. 1	POS. 2	POS. 3
DN	NONE	DN
2-3	DPEN	2-1

NOTES:

1. ALL DIMENSIONS IN MM
2. GENERAL TOLERANCE: X.X=±0.4
X.XX=±0.25
3. TERM. NOS. FOR REF. ONLY
4. CONTACT RATING: 3A @120VAC OR 28VDC, 1A @250VAC
5. FIXED TERM/MOVING CONTACT
COPPER ALLOY W/SILVER PLATE.
6. ELECTRIC LIFE: 50,000 make-and-break cycles
at full load.
7. INSULATION RESISTANCE: 1,000 M ohm min.
8. DIELECTRIC STRENGTH: 1,000 V RMS @sea level.
9. OPERATING TEMP. -30°C to 85°C
10. DESIGNATE MAJOR DIMENSION



E-SWITCH®

REV.	A	12738	RELEASED FOR PRODUCTION	1/16/03	CJB
ECN NO.			DESCRIPTION	DATE	CHKD

TITLE	200 MSP-1 TS B1 M2 Q E				
SCALE	2:1	DATE	1/16/03	DR	CJB
				DWG	T211152
REV	A				

THE INFORMATION CONTAINED IN THIS DOCUMENT IS PREPARED FOR E-SWITCH AND IS NOT TO BE COPIED OR TRANSMITTED