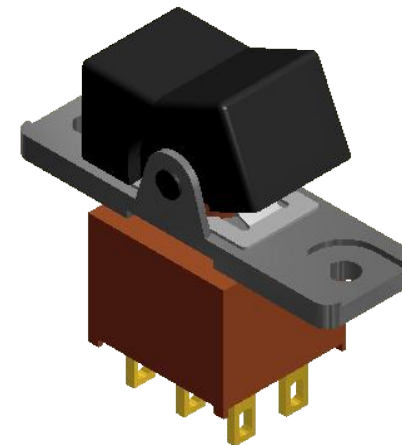
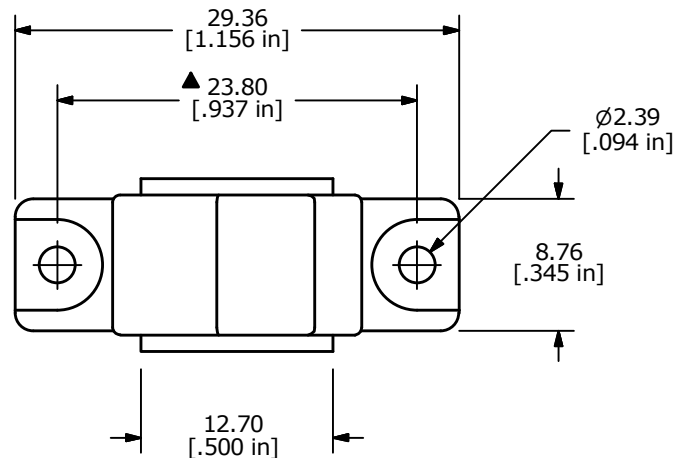
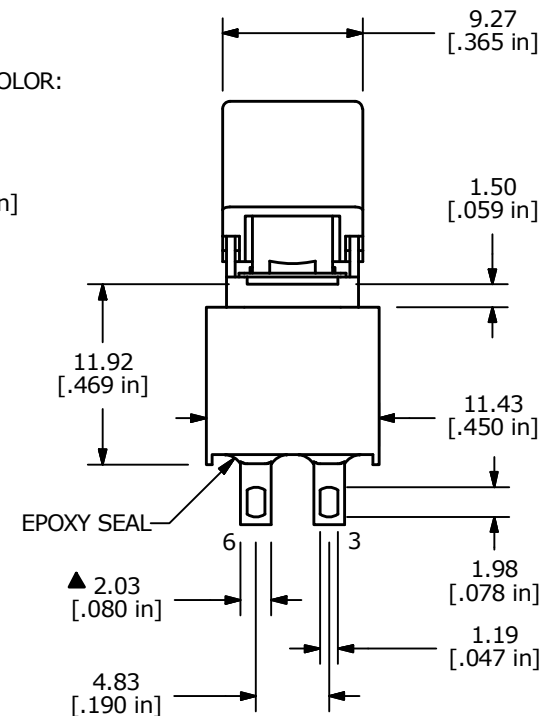
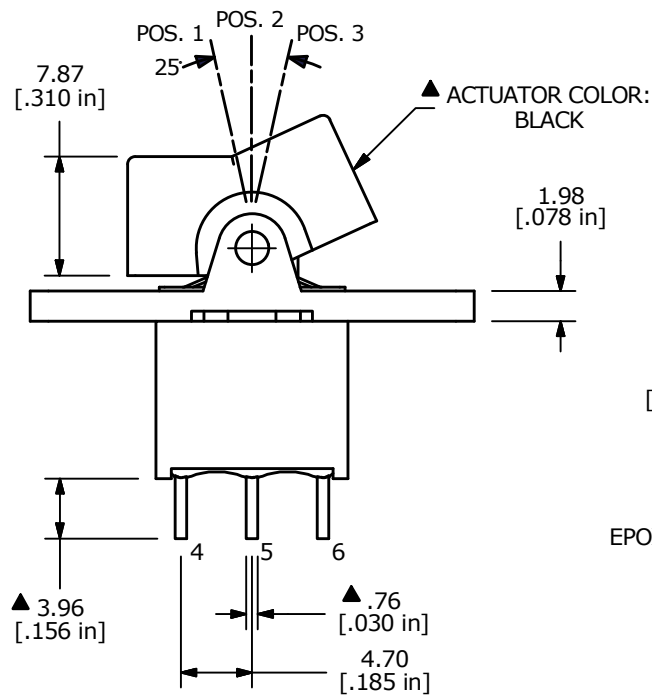
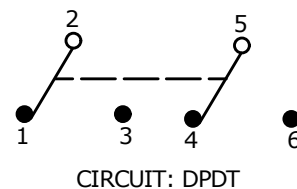


RECOMMENDED PANEL CUTOUT



| SWITCH FUNCTION | | |
|-----------------|--------|----------|
| POS. 1 | POS. 2 | POS. 3 |
| | | |
| (ON) | OFF | (ON) |
| 2-3, 5-6 | OPEN | 2-1, 5-4 |

(ON) = MOMENTARY



- NOTE:
1. ALL DIMENSIONS IN MM [INCH]
 2. GENERAL TOLERANCE: X.X=±0.4
X.XX=±0.25
 3. TERMINAL NUMBERS FOR REF ONLY
 4. PLATING MATERIAL: SILVER
 5. RATING: 5A @120VAC or 28VDC
2A @250VAC
 6. ELECTRIC LIFE: 30,000 MAKE-AND-BREAK CYCLES AT FULL LOAD.
 7. INSULATION RESISTANCE: 1,000 MEGA-OHM MIN.
 8. DIELECTRIC STRENGTH: 1,000 V RMS @SEA LEVEL.
 9. OPERATING TEMP.: -30°C to 85°C
 10. ▲ DENOTES CRITICAL PARAMETER.
 11. 2011/65/EU (ROHS) COMPLAINT



| | | | | |
|-----|--------|------------------------------|---------|-----|
| C | 22703 | UPDATED LAYOUT AND TERMINALS | 2/1/17 | MJR |
| B | 22527 | UPDATE PRINT | 9/27/16 | MW |
| REV | PCR NO | DESCRIPTION | DATE | BY |

| | | | | |
|-------------------------|---------------|-------|-------------|-------|
| TITLE 300AWDP4R1BLKM1QE | | | | |
| SCALE 2:1 | DATE 2/6/2002 | DR CB | DWG T302007 | REV C |

THE INFORMATION CONTAINED IN THIS DOCUMENT IS PROPRIETARY TO E-SWITCH AND IS NOT TO BE COPIED OR TRANSFERRED