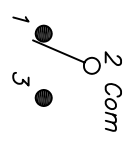


RECOMMENDED P.C.B. LAYOUT



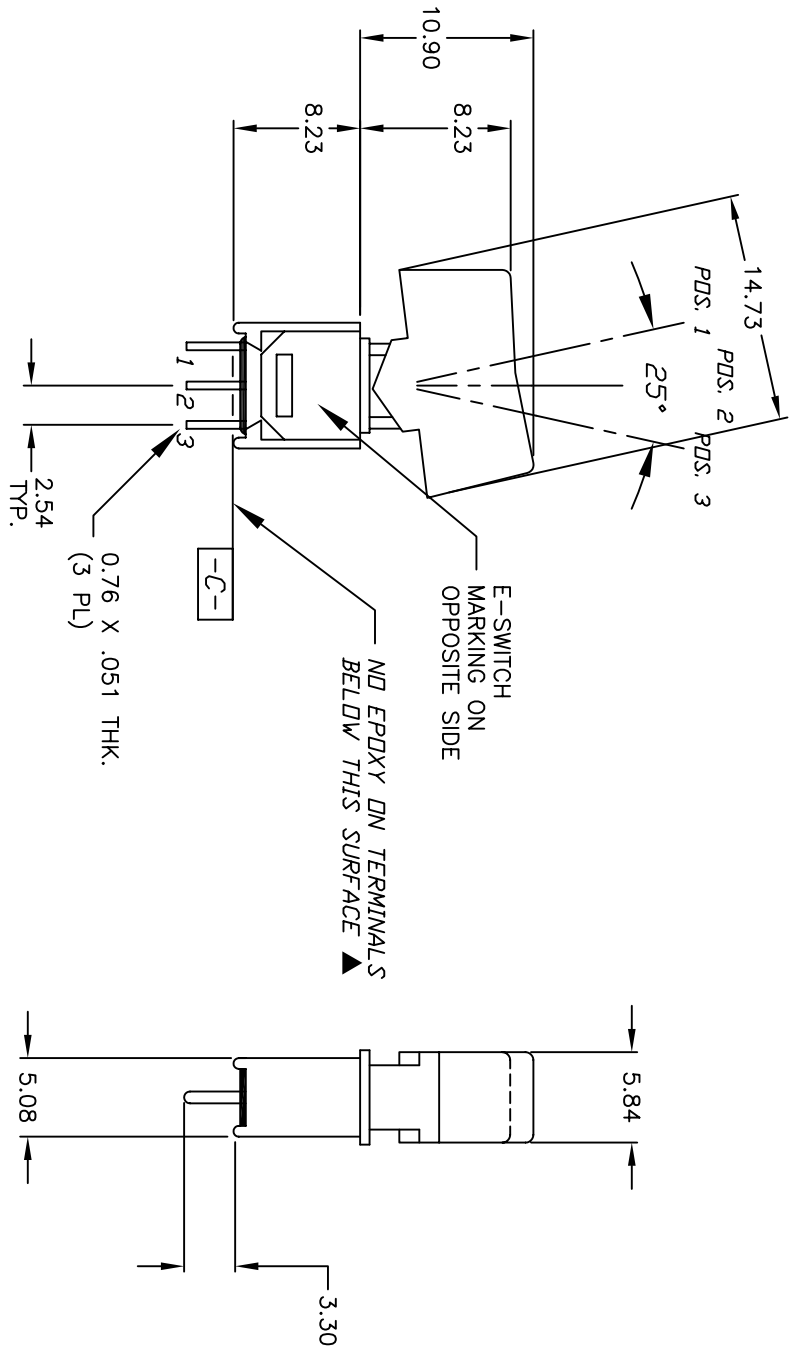
CIRCUIT: SPDT

SWITCH FUNCTION		
PDS. 1	PDS. 2	PDS. 3
<DN>	DEF	<DN>
2-3	DPEN	2-1

() =Momentary

NOTES:

1. ALL DIMENSIONS IN MM
2. GENERAL TOLERANCE: X.X=±0.4
X.XX=±0.25
3. TERM. NOS. FOR REF. ONLY
4. CONTACT RATING: 3A@ 120VAC. OR 28VDC:
1A@ 250VAC.
5. FIXED TERMINAL & MOVING CONTACT: Cu alloy w/ Silver plate
6. ELECTRIC LIFE: 30,000 make-and-break cycles
at full load.
7. INSULATION RESISTANCE: 1,000 M ohm min.
8. DIELECTRIC STRENGTH: 1,000 V RMS @sed level.
9. OPERATING TEMP.: -30°C to +85°C



B	16113	CHANGE SWITCH FUNCTION	6/6/06	CT
A	12447	RELEASED	9/25/02	CB
REV.	ECN No.	DESCRIPTION	DATE	CHKD

E-SWITCH®

400 MSP-4 R6 (BLK) M2 QE

TITLE

SCALE: 2:1 DATE: 11/11/02 DR: CB DWG: T414102 REV: B

THE INFORMATION CONTAINED IN THIS DOCUMENT IS PROPRIETARY TO E-SWITCH AND IS NOT TO BE COPIED OR TRANSFERRED