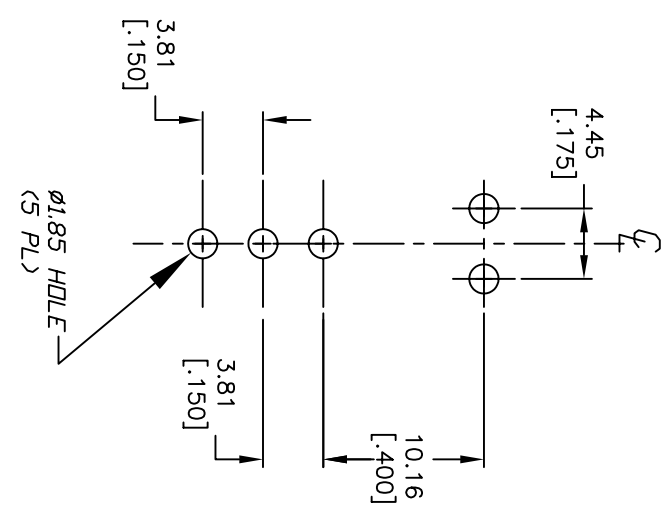
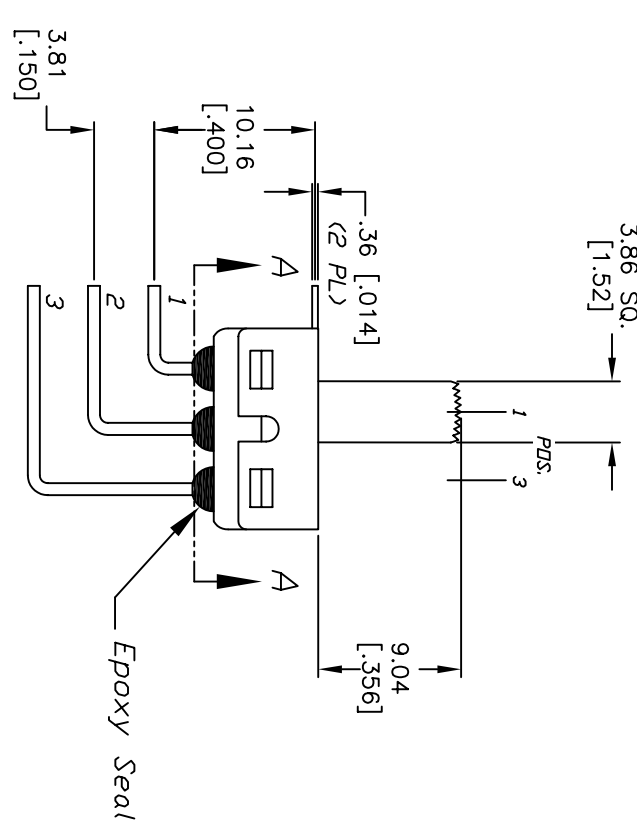
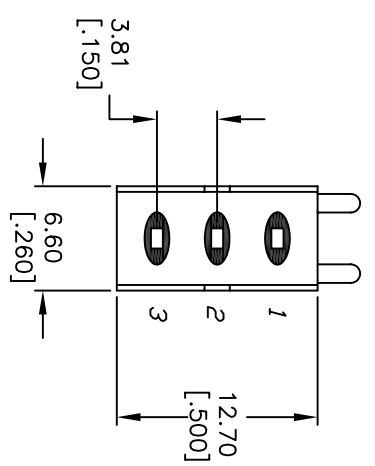
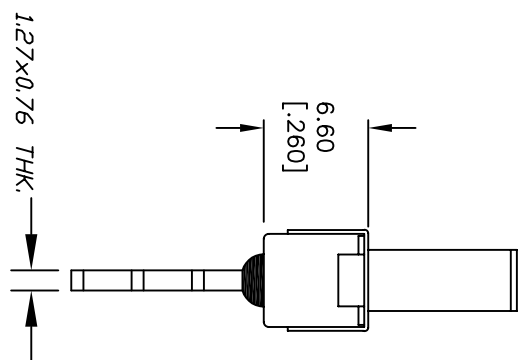
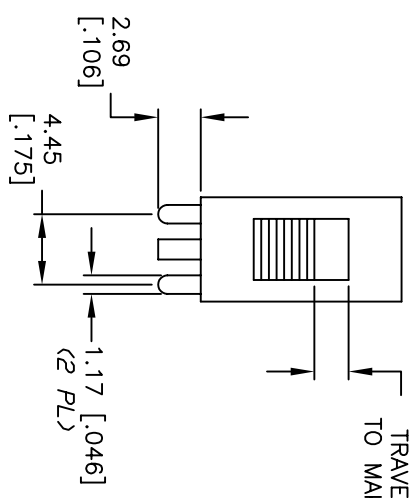
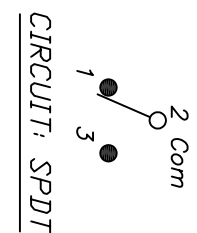


2.16 [.085]  
TRAVEL  
TO MAKE



NOTES:

1. ALL DIMENSIONS IN MM [INCH]
2. GENERAL TOLERANCE: X.X=±0.4  
X.XX=±0.25
3. TERM NOS. FOR REF. ONLY
4. RATING: 0.4VA @20V AC or DC max.
5. CONTACT MATERIAL: Copper Alloy w/Gold plate over Nickel plate
6. INSULATION RESISTANCE: 1000 Mega Ohms min.
7. DIELECTRIC STRENGTH: 1000V RMS @SEA LEVEL.
8. OPERATING TEMPERATURE: -30°C TO 85°C



RECOMMENDED P.C.B. HOLES

SWITCH FUNCTION			
PDS. 1	PDS. 2	PDS. 3	
DN	OFF	DN	
2-1	OPEN	2-3	

B	16140	UPDATE ACTUATOR HEIGHT	6/14/06	CT	TITLE	500 SSP-3 S3 M7 R E A (GOLD CONTACTS)	DR	CJB	DWG	T513013	REV	B
A	12382	RELEASED	8/19/02	CJB	SCALE	2:1	DATE	8/19/02				
REV.	ECN NO.	DESCRIPTION	DATE	CHKD								
THE INFORMATION CONTAINED IN THIS DOCUMENT IS PROPRIETARY TO E-SWITCH AND IS NOT TO BE COPIED OR TRANSFERRED												

