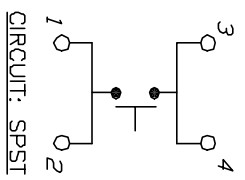
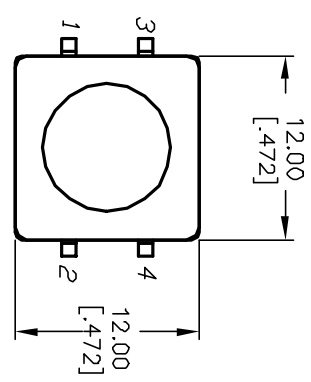
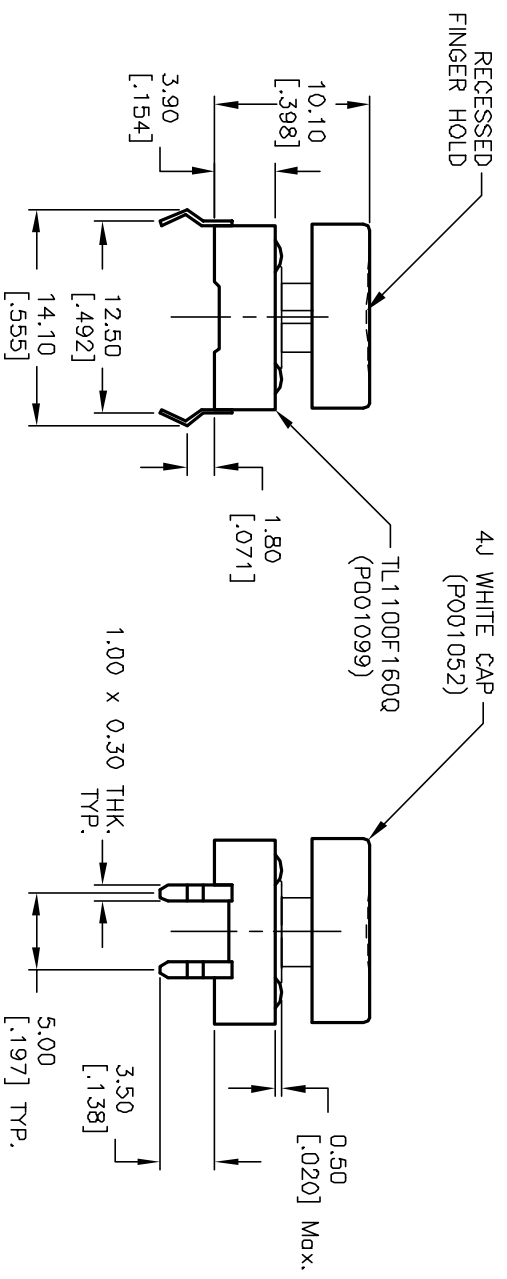


RECOMMENDED P.C.B. LAYOUT



- NOTES:
1. ALL DIMENSIONS IN MM. [INCH]
 2. GENERAL TOLERANCE: X.X=±0.4 X.XX=±0.25
 3. TERM. NOS. FOR REF. ONLY
 4. RATING: 50mA, @12V DC
 5. TRAVEL: 0.30±0.15mm
 6. OPERATING FORCE: 160±50gf
 7. CONTACT RESISTANCE: 100 MILLIOHMS Max.
 8. ELECTRICAL LIFE: 100,000 CYCLES MIN.



E-SWITCH®

TITLE	TL 1100 F160 Q (4J WHT)		
SCALE	2:1	DATE	2/22/01
DR	CJB	DWG	XP01444
REV	A		

REV.	ECN No.	DESCRIPTION	DATE	CHKD
A	11263	RELEASED FOR PRODUCTION	2/22/01	CJB
THE INFORMATION CONTAINED IN THIS DOCUMENT IS PROPRIETARY TO E-SWITCH AND IS NOT TO BE COPIED OR TRANSMITTED				