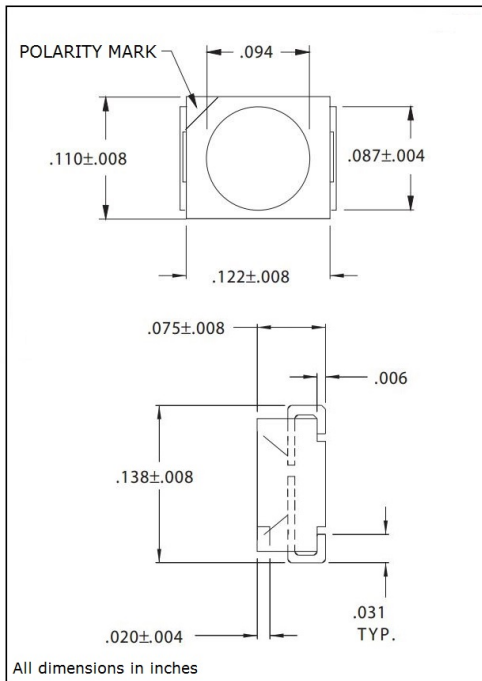


## CMD67-21 SERIES SMT LEDs

### Description and Features



#### Surface Mount Technology

- Tape and reel packaged for high-speed autoinsertion.
- Convection and vapor-phase eflow compatible.
- Compact form enables high density placement.
- Packaged 2000 pieces per reel.
- RoHS Compliant

#### Leading Edge LED Optoelectronic Performance

- Consistent high brightness.
- Integral lensing for narrow angle light dispersion.
- Bi-color available.

#### Exceptional Reliability

- Stringent process controls assure quality.
- Extensive qualification testing to meet strictest requirements.
- Designed to permit easy post-reflow solder joint inspection.

- Refer to "Solder Pad Geometry 1.pdf"

## Electro-Optical Characteristics and Ratings

Part Number	Emitted Color	Lens Color	Luminous Intensity		Forward Voltage		Polarity Mark Indicates	Peak Wavelength (nm)	View Angle (degrees)
			Min. (mcd)	Typ. (mcd)	Typ. (V)	Max. (V)			
C MD67-21VG C /TR8	Green	Clear	15.0	25.0	2.1	2.8	Cathode	570	120
C MD67-21VY C /TR8	Yellow	Clear	6.0	10.0	2.0	2.8	Cathode	585	120
C MD67-21VR C /TR8	H.E. Red	Clear	6.0	10.0	2.0	2.8	Cathode	640	120
C MD67-21S R C /TR8	Bright Red	Clear	25.0	40.0	1.7	2.4	Anode	660	120
C MD67-21UR C /TR8	Bright Red	Clear	36.0	62.0	1.7	2.4	Anode	660	120

## Absolute Maximum Ratings

	Green	H.E.Red	Yellow	Bright Red	Units
Power Dissipation.....	105.....	120.....	105.....	100.....	mW
Storage/Operating Temperature.....	-40 to +85.....	-40 to +85.....	-40 to +85.....	-40 to +85.....	°C
Peak Forward Current (1µs @ 10% duty cycle).....	150.....	150.....	150.....	150.....	mA
Reverse Voltage (IR=100µA).....	5.0.....	5.0.....	5.0.....	5.0.....	V
Lead Solder Time @ 260°C.....	5.....	5.....	5.....	5.....	Seconds
Average Forward Current.....	25.....	30.....	30.....	30.....	mA