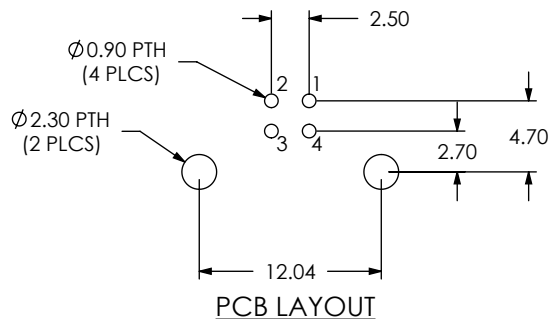


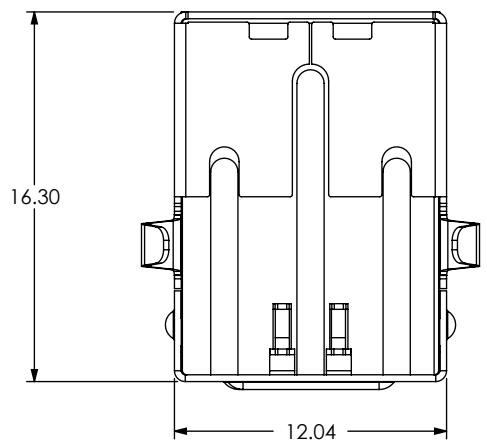
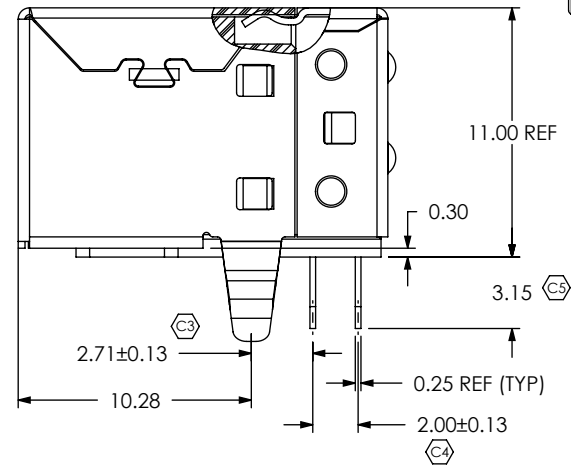
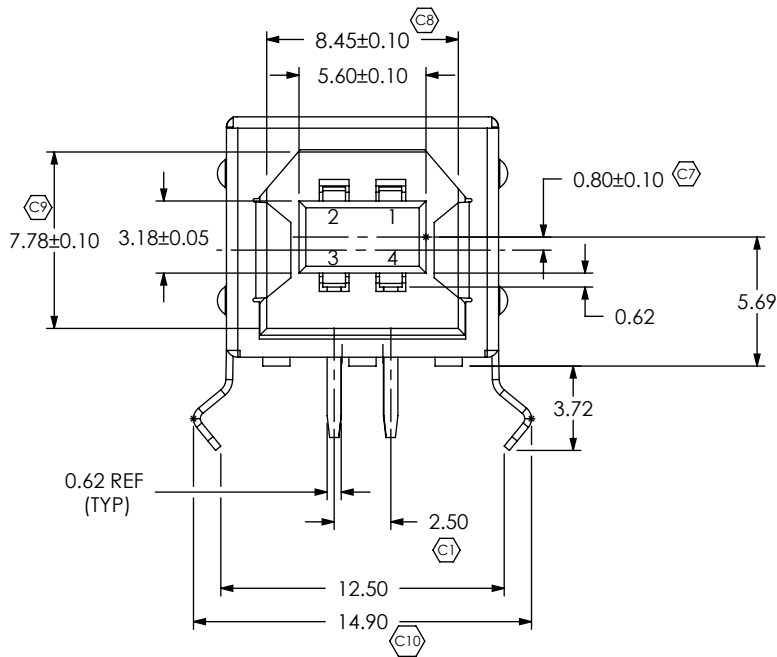
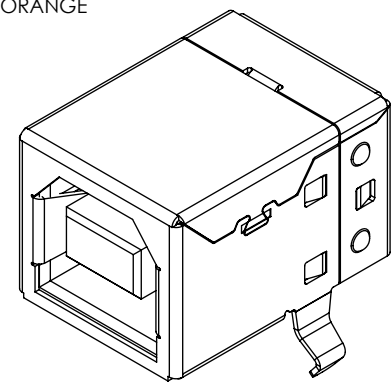
DO NOT SCALE FROM THIS PRINT

DESIGNED & DIMENSIONED IN MILLIMETERS




USBR-B-S-X-O-TH-X

- TYPE B
- CONFIGURATION -S: SINGLE
- PLATING SPECIFICATION (C3) -F: 1µ" MIN GOLD IN CONTACT AREA, MATTE TIN ON TAIL -S: 30 µ" GOLD IN CONTACT AREA, MATTE TIN ON TAIL
- E&I OPTION -R: ROHS COMPLIANT (-R CALLOUT ONLY AVAILABLE TO EXISTING CUSTOMERS) (SEE NOTE 4)
- TERMINATION -TH: THROUGH HOLE
- COLOR -O: ORANGE



NOTES:

1. INCREASED RETENTION ,ORANGE INSULATOR COLOR.
2. (C) REPRESENTS A CRITICAL DIMENSION.
3. WHEN MATED CONNECTION MUST WITHSTAND 15N DEMATING FORCE FOR 1 MINUTE MINIMUM.
4. PARTS ARE ROHS COMPLIANT WITH OR WITHOUT -R OPTION

<p>UNLESS OTHERWISE SPECIFIED, DIMENSIONS ARE IN MILLIMETERS. TOLERANCES ARE:</p> <p>DECIMALS            ANGLES</p> <p>X.X: ±0.3            2°</p> <p>X.XX: ±0.25</p> <p>X.XXX: ±0.13</p>	<p><b>PROPRIETARY NOTE</b></p> <p>THIS DOCUMENT CONTAINS CONFIDENTIAL AND PROPRIETARY INFORMATION AND ALL DESIGN, MANUFACTURING, REPRODUCTION, USE, PATENT RIGHTS AND SALES RIGHTS ARE EXPRESSLY RESERVED BY SAMTEC, INC. THIS DOCUMENT SHALL NOT BE DISCLOSED, IN WHOLE OR PART, TO ANY UNAUTHORIZED PERSON OR ENTITY NOR REPRODUCED, TRANSFERRED OR INCORPORATED IN ANY OTHER PROJECT IN ANY MANNER WITHOUT THE EXPRESS WRITTEN CONSENT OF SAMTEC, INC.</p>	 <p>520 PARK EAST BLVD, NEW ALBANY, IN 47150          PHONE: 812-944-6733    FAX: 812-948-5047          e-Mail: info@SAMTEC.com    code: 55322</p>
<p><b>MATERIAL:</b> DO NOT SCALE DRAWING</p> <p>INSULATOR: PA 9T COLOR:ORANGE</p> <p>CONTACT : PHOS BRONZE</p> <p>REAR SHIELD: NICKEL PLATED STEEL</p> <p>FRONT SHIELD: NICKEL PLATED PHOS BRONZE</p> <p>MAX FLASH ALLOWED: 0.05</p> <p>MAX GATE VESTIGE: 0.05</p> <p>F:\D\WG\MISC\MKTG\USBR-B-S-X-O-TH-X-MKT.SLDDRW</p>	<p>SHEET SCALE: 2:1</p>	<p>DESCRIPTION: HIGH RETENTION USB TYPE B THROUGH HOLE</p> <p>DWG. NO. <b>USBR-B-S-X-O-TH-X</b></p> <p>BY: STEVEN XU 10-20-2010    SHEET 1 OF 1</p>