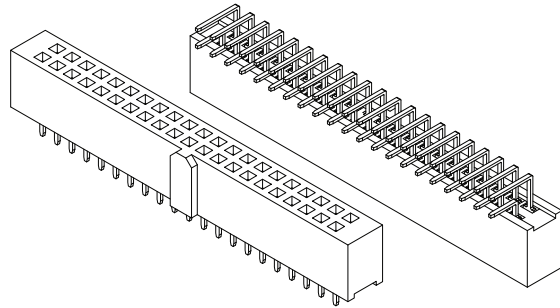




.100" [2.54 mm] Contact Centers, Female Headers, Straight/Right Angle - SFH11 Series Mates with SBH11 series (See opposite page)

SPECIFICATIONS

- Centered Polarizing Key Optional
- Operating Temperature: -40°C to +105°C
- Processing Temperature: 230°C Max. for 60 seconds, (260°C Max. for 10 seconds)
- UL Flammability Rating: 94V-0
- Contact Resistance: 20 milli Ohms Max.
- Current Rating: 3 Amps
- Dielectric Withstanding: 1000 VAC
- Insulation Resistance: 5000 Megohms Min.



PART NUMBER OPTIONS

SFH11 - P P P C - D 10 - ST - BK - M181

SERIES

SFH11 = Female Header, .100" [2.54 mm] Contact Centers by .100" [2.54 mm] Row Spacing

INSULATOR MATERIAL

P = PBT
N = NYLON

CONTACT MATERIAL

P = Phosphor Bronze
B = Brass

CONTACT FINISH - RoHS Compliant

P = Gold Flash Overall
E = .000100" Pure Tin, Matte, Overall

CONTACT CENTERS

C = .100" [2.54 mm]

MODIFICATION (Omit for Standard)

M181 = Without Centered Polarizing Key

COLOR

BK = Black

TERMINATION TYPE (Opposite Page)

ST = Straight
RA = Right Angle

NUMBER OF CONTACT POSITIONS

03 thru 08, 10, 12, 13, 15, 17, 20, 25, 30, 32

NUMBER OF ROWS

D = Dual Row

DIMENSIONS For complete drawings, go to www.sullinscorp.com or e-mail techsupport@sullinscorp.com

Dimensions in [] are in millimeters, all others are in inches.

