



MICROCHIP

**MTD6508 3-Phase BLDC
Sensorless Fan Controller
Demo Motherboard (ADM00633)
User's Guide**

Note the following details of the code protection feature on Microchip devices:

- Microchip products meet the specification contained in their particular Microchip Data Sheet.
- Microchip believes that its family of products is one of the most secure families of its kind on the market today, when used in the intended manner and under normal conditions.
- There are dishonest and possibly illegal methods used to breach the code protection feature. All of these methods, to our knowledge, require using the Microchip products in a manner outside the operating specifications contained in Microchip's Data Sheets. Most likely, the person doing so is engaged in theft of intellectual property.
- Microchip is willing to work with the customer who is concerned about the integrity of their code.
- Neither Microchip nor any other semiconductor manufacturer can guarantee the security of their code. Code protection does not mean that we are guaranteeing the product as "unbreakable."

Code protection is constantly evolving. We at Microchip are committed to continuously improving the code protection features of our products. Attempts to break Microchip's code protection feature may be a violation of the Digital Millennium Copyright Act. If such acts allow unauthorized access to your software or other copyrighted work, you may have a right to sue for relief under that Act.

Information contained in this publication regarding device applications and the like is provided only for your convenience and may be superseded by updates. It is your responsibility to ensure that your application meets with your specifications. MICROCHIP MAKES NO REPRESENTATIONS OR WARRANTIES OF ANY KIND WHETHER EXPRESS OR IMPLIED, WRITTEN OR ORAL, STATUTORY OR OTHERWISE, RELATED TO THE INFORMATION, INCLUDING BUT NOT LIMITED TO ITS CONDITION, QUALITY, PERFORMANCE, MERCHANTABILITY OR FITNESS FOR PURPOSE. Microchip disclaims all liability arising from this information and its use. Use of Microchip devices in life support and/or safety applications is entirely at the buyer's risk, and the buyer agrees to defend, indemnify and hold harmless Microchip from any and all damages, claims, suits, or expenses resulting from such use. No licenses are conveyed, implicitly or otherwise, under any Microchip intellectual property rights unless otherwise stated.

Microchip received ISO/TS-16949:2009 certification for its worldwide headquarters, design and wafer fabrication facilities in Chandler and Tempe, Arizona; Gresham, Oregon and design centers in California and India. The Company's quality system processes and procedures are for its PIC® MCUs and dsPIC® DSCs, KEELOQ® code hopping devices, Serial EEPROMs, microperipherals, nonvolatile memory and analog products. In addition, Microchip's quality system for the design and manufacture of development systems is ISO 9001:2000 certified.

**QUALITY MANAGEMENT SYSTEM
CERTIFIED BY DNV
= ISO/TS 16949 =**

Trademarks

The Microchip name and logo, the Microchip logo, AnyRate, dsPIC, FlashFlex, flexPWR, Heldo, JukeBlox, KeeLoq, KeeLoq logo, Klear, LANCheck, LINK MD, MediaLB, MOST, MOST logo, MPLAB, OptoLyzer, PIC, PICSTART, PIC32 logo, RightTouch, SpyNIC, SST, SST Logo, SuperFlash and UNI/O are registered trademarks of Microchip Technology Incorporated in the U.S.A. and other countries.

ClockWorks, The Embedded Control Solutions Company, ETHERSYNCH, Hyper Speed Control, HyperLight Load, IntelliMOS, mTouch, Precision Edge, and QUIET-WIRE are registered trademarks of Microchip Technology Incorporated in the U.S.A.

Analog-for-the-Digital Age, Any Capacitor, AnyIn, AnyOut, BodyCom, chipKIT, chipKIT logo, CodeGuard, dsPICDEM, dsPICDEM.net, Dynamic Average Matching, DAM, ECAN, EtherGREEN, In-Circuit Serial Programming, ICSP, Inter-Chip Connectivity, JitterBlocker, KlearNet, KlearNet logo, MiWi, motorBench, MPASM, MPF, MPLAB Certified logo, MPLIB, MPLINK, MultiTRAK, NetDetach, Omniscient Code Generation, PICDEM, PICDEM.net, PICkit, PICtail, PureSilicon, RightTouch logo, REAL ICE, Ripple Blocker, Serial Quad I/O, SQL, SuperSwitcher, SuperSwitcher II, Total Endurance, TSHARC, USBCheck, VariSense, ViewSpan, WiperLock, Wireless DNA, and ZENA are trademarks of Microchip Technology Incorporated in the U.S.A. and other countries.

SQTP is a service mark of Microchip Technology Incorporated in the U.S.A.

Silicon Storage Technology is a registered trademark of Microchip Technology Inc. in other countries.

GettIC is a registered trademarks of Microchip Technology Germany II GmbH & Co. KG, a subsidiary of Microchip Technology Inc., in other countries.

All other trademarks mentioned herein are property of their respective companies.

© 2016, Microchip Technology Incorporated, Printed in the U.S.A., All Rights Reserved.

ISBN: 978-1-5224-0738-6

Object of Declaration: MTD6508 3-Phase BLDC Sensorless Fan Controller Demo Motherboard (ADM00633)

EU Declaration of Conformity

Manufacturer: Microchip Technology Inc.
2355 W. Chandler Blvd.
Chandler, Arizona, 85224-6199
USA

This declaration of conformity is issued by the manufacturer.

The development/evaluation tool is designed to be used for research and development in a laboratory environment. This development/evaluation tool is not a Finished Appliance, nor is it intended for incorporation into Finished Appliances that are made commercially available as single functional units to end users under EU EMC Directive 2004/108/EC and as supported by the European Commission's Guide for the EMC Directive 2004/108/EC (8th February 2010).

This development/evaluation tool complies with EU RoHS2 Directive 2011/65/EU.

This development/evaluation tool, when incorporating wireless and radio-telecom functionality, is in compliance with the essential requirement and other relevant provisions of the R&TTE Directive 1999/5/EC and the FCC rules as stated in the declaration of conformity provided in the module datasheet and the module product page available at www.microchip.com.

For information regarding the exclusive, limited warranties applicable to Microchip products, please see Microchip's standard terms and conditions of sale, which are printed on our sales documentation and available at www.microchip.com.

Signed for and on behalf of Microchip Technology Inc. at Chandler, Arizona, USA


Derek Carlson
VP Development Tools

12-Sep-14
Date

NOTES:



MTD6508 3-PHASE BLDC SENSORLESS FAN CONTROLLER DEMO MOTHERBOARD (ADM00633) USER'S GUIDE

Table of Contents

Preface	7
Chapter 1. Product Overview	
1.1 Introduction	11
1.2 MTD6508 Motherboard Hardware description	12
1.3 MTD6508 Daughter Board Hardware Description	13
1.4 What the MTD6508 3-Phase BLDC Sensorless Fan Controller Demo Motherboard (ADM00633) Kit includes	14
Chapter 2. Installation and Operation	
2.1 Getting Started	15
2.2 Board Setup	15
2.3 Using the MTD6508 Demonstration Board Kit without the MTD6508 Demonstration Board Software GUI	16
2.4 Software Installation	17
2.5 Using the MTD6508 Demonstration Board Kit with the MTD6508 Demonstration Board Software GUI	20
Chapter 3. Graphical User Interface Description	
3.1 MTD6508 Demonstration Board Software GUI description	21
3.1.1 Control Tab	21
3.1.1.1 Operation Control	22
3.1.1.2 RPROG Pin	22
3.1.1.3 Chart	22
3.1.1.4 PWM Pin	23
3.1.1.5 V _{DD} Pin	23
3.1.1.6 Slew Rate Pins	23
3.1.2 Measurement Tab	24
3.1.2.1 Settings Tab	24
3.1.2.2 Measurement Results Tab	27
3.1.3 Defining the R _{PROG} Value Correctly	28
3.1.3.1 Operation	28
Appendix A. Schematics and Layouts	
A.1 Introduction	29
A.2 ADM00633 Board – Schematic: LED Part, Key Part and R_Prog Part	30
A.3 ADM00633 Board – Schematic: Current Sense Part, Digipot Part and Power Part	31
A.4 ADM00633 Board – Schematic: PIC24F Part	32
A.5 ADM00633 Board – Schematic: MTD6508 Connector Part, USB Connection Part and Probe Part	33
A.6 ADM00633 Board – Top Silk	34
A.7 ADM00633 Board – Top Copper and Silk	34
A.8 ADM00633 Board – Bottom Copper and Silk	35

Appendix B. Bill of Materials (BOM)

Worldwide Sales and Service39



MTD6508 3-PHASE BLDC SENSORLESS FAN CONTROLLER DEMO MOTHERBOARD (ADM00633) USER'S GUIDE

Preface

NOTICE TO CUSTOMERS

All documentation becomes dated, and this manual is no exception. Microchip tools and documentation are constantly evolving to meet customer needs, so some actual dialogs and/or tool descriptions may differ from those in this document. Please refer to our website (www.microchip.com) to obtain the latest documentation available.

Documents are identified with a “DS” number. This number is located on the bottom of each page, in front of the page number. The numbering convention for the DS number is “DSXXXXXXXXA”, where “XXXXXXXX” is the document number and “A” is the revision level of the document.

For the most up-to-date information on development tools, see the MPLAB® IDE online help. Select the Help menu, and then Topics to open a list of available online help files.

INTRODUCTION

This chapter contains general information that will be useful to know before using the MTD6508 3-Phase BLDC Sensorless Fan Controller Demo Motherboard (ADM00633). Items discussed in this chapter include:

- Document Layout
- Conventions Used in this Guide
- Recommended Reading
- The Microchip Website
- Customer Support
- Document Revision History

DOCUMENT LAYOUT

This document describes how to use the MTD6508 3-Phase BLDC Sensorless Fan Controller Demo Motherboard (ADM00633) as a development tool to emulate and debug firmware on a target board. The manual layout is as follows:

- **Chapter 1. “Product Overview”** – Important information about the MTD6508 3-Phase BLDC Sensorless Fan Controller Demo Motherboard (ADM00633).
- **Chapter 2. “Installation and Operation”** – Includes instructions on how to get started with the MTD6508 3-Phase BLDC Sensorless Fan Controller Demo Motherboard (ADM00633).
- **Appendix A. “Schematics and Layouts”** – Shows the schematic and layout diagrams for the MTD6508 3-Phase BLDC Sensorless Fan Controller Demo Motherboard (ADM00633).
- **Appendix B. “Bill of Materials (BOM)”** – Lists the parts used to build the MTD6508 3-Phase BLDC Sensorless Fan Controller Demo Motherboard (ADM00633).

CONVENTIONS USED IN THIS GUIDE

This manual uses the following documentation conventions:

DOCUMENTATION CONVENTIONS

Description	Represents	Examples
Arial font:		
Italic characters	Referenced books	<i>MPLAB[®] IDE User's Guide</i>
	Emphasized text	...is the <i>only</i> compiler...
Initial caps	A window	the Output window
	A dialog	the Settings dialog
	A menu selection	select Enable Programmer
Quotes	A field name in a window or dialog	"Save project before build"
Underlined, italic text with right angle bracket	A menu path	<u><i>File>Save</i></u>
Bold characters	A dialog button	Click OK
	A tab	Click the Power tab
N'Rnnnn	A number in verilog format, where N is the total number of digits, R is the radix and n is a digit.	4'b0010, 2'hF1
Text in angle brackets < >	A key on the keyboard	Press <Enter>, <F1>
Courier New font:		
Plain Courier New	Sample source code	#define START
	Filenames	autoexec.bat
	File paths	c:\mcc18\h
	Keywords	_asm, _endasm, static
	Command-line options	-Opa+, -Opa-
	Bit values	0, 1
	Constants	0xFF, 'A'
Italic Courier New	A variable argument	<i>file.o</i> , where <i>file</i> can be any valid filename
Square brackets []	Optional arguments	mcc18 [options] <i>file</i> [options]
Curly brackets and pipe character: { }	Choice of mutually exclusive arguments; an OR selection	errorlevel {0 1}
Ellipses...	Replaces repeated text	var_name [, var_name...]
	Represents code supplied by user	void main (void) { ... }

RECOMMENDED READING

This user's guide describes how to use the MTD6508 3-Phase BLDC Sensorless Fan Controller Demo Motherboard (ADM00633). Another useful document is listed below. The following Microchip document is available and recommended as a supplemental reference resource.

- **MTD6508 Data Sheet – “3-Phase Sinusoidal Sensorless Brushless Fan Motor Driver” (DS20005359)**

THE MICROCHIP WEBSITE

Microchip provides online support via our website at www.microchip.com. This website is used as a means to make files and information easily available to customers. Accessible by using your favorite Internet browser, the website contains the following information:

- **Product Support** – Data sheets and errata, application notes and sample programs, design resources, user's guides and hardware support documents, latest software releases and archived software
- **General Technical Support** – Frequently Asked Questions (FAQs), technical support requests, online discussion groups, Microchip consultant program member listing
- **Business of Microchip** – Product selector and ordering guides, latest Microchip press releases, listing of seminars and events, listings of Microchip sales offices, distributors and factory representatives

CUSTOMER SUPPORT

Users of Microchip products can receive assistance through several channels:

- Distributor or Representative
- Local Sales Office
- Field Application Engineer (FAE)
- Technical Support

Customers should contact their distributor, representative or field application engineer (FAE) for support. Local sales offices are also available to help customers. A listing of sales offices and locations is included in the back of this document.

Technical support is available through the website at: <http://www.microchip.com/support>.

DOCUMENT REVISION HISTORY

Revision A (June 2016)

- Initial Release of this Document.

NOTES:

Chapter 1. Product Overview

1.1 INTRODUCTION

The MTD6508 motherboard allows control of the daughter board (ADM00631) in two ways:

- Directly, by using the keys on the board
- By connecting the MTD6508 motherboard to a computer via a USB port and controlling and monitoring the MTD6508 3-Phase BLDC Sensorless Fan Controller Demo Motherboard (ADM00633) device through PC software (the MTD6508 Demonstration Board Software GUI).

The MTD6508 Demonstration Board Software GUI provides several features, such as V_{DD} control and monitoring, pulse-width modulation (PWM) control as well as speed and current consumption monitoring. It also allows the user to control the following parameters:

- The R_{PROG} resistor value for fan fitting
- The R_{SR} resistor value for output PWM slew rate control
- All remaining digital pins.

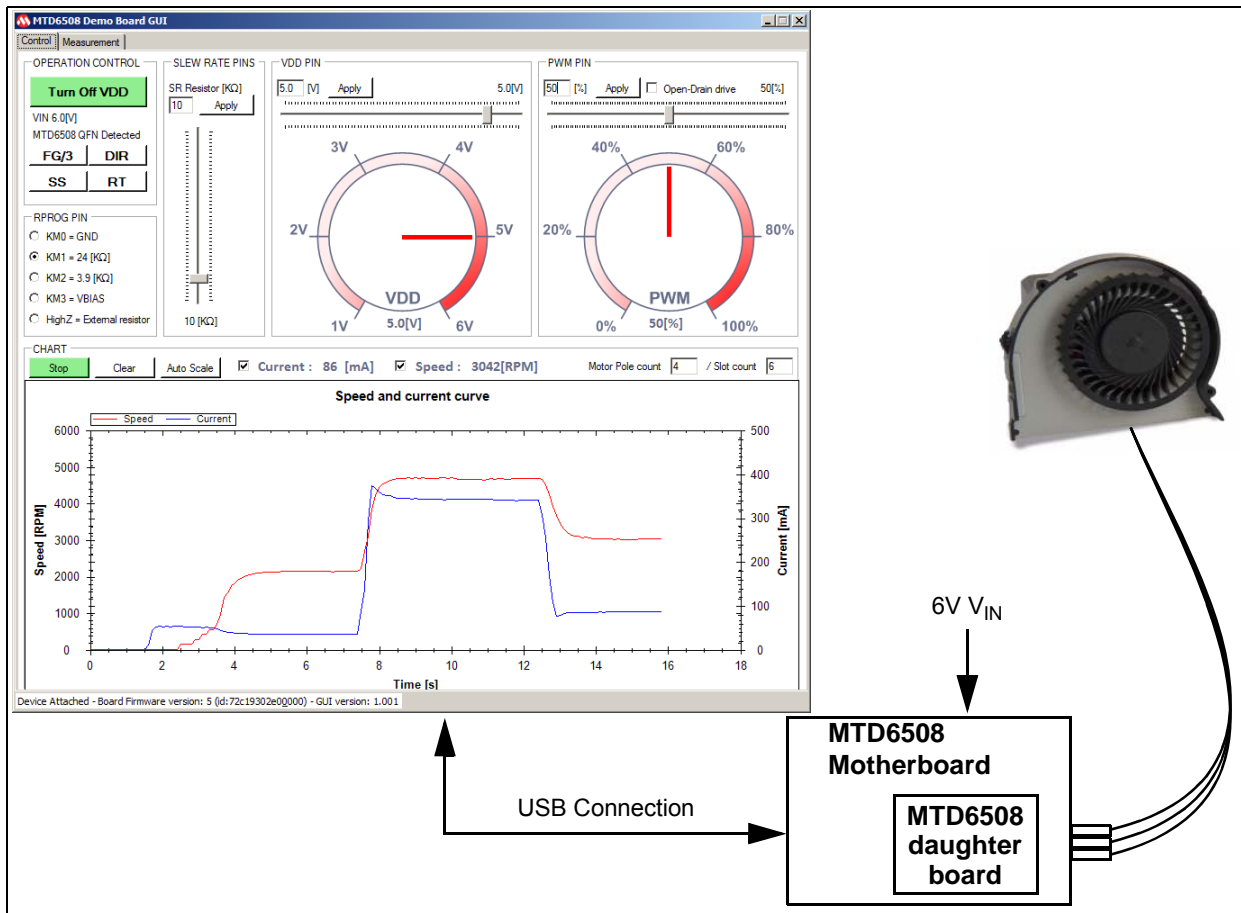


FIGURE 1-1: System Overview.

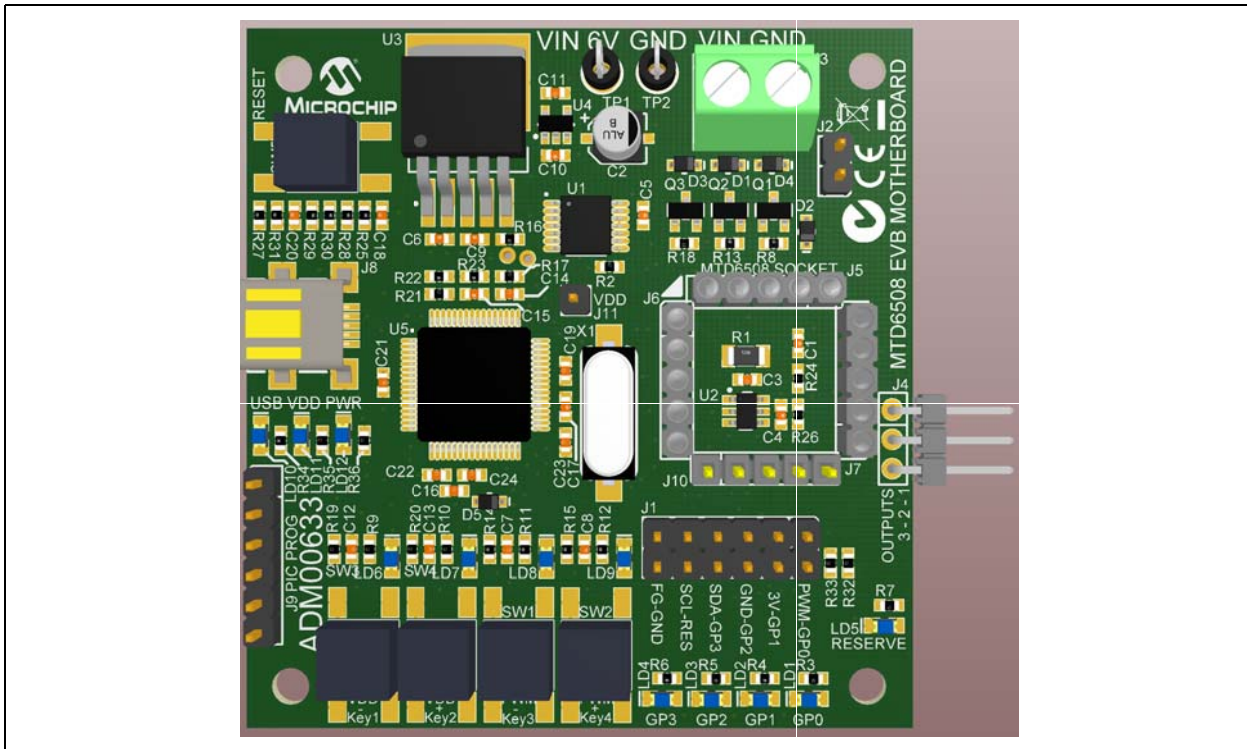


FIGURE 1-2: MTD6508 3-Phase BLDC Sensorless Fan Controller Demonstration Motherboard (ADM00633) Overview.

1.2 MTD6508 MOTHERBOARD HARDWARE DESCRIPTION

The MTD6508 motherboard contains several components:

- A microcontroller (PIC24FJ64GB) for USB connection, PWM generation, FG frequency measurement, V_{DD} measurement, activations of other signals and component communication.
- An LDO (MCP1827) adjustable with a digital potentiometer (MCP4652) to provide the V_{DD} to the MTD6508 3-Phase BLDC Sensorless Fan Controller Demo Motherboard (ADM00633) device. The LDO can be enabled or disabled by the microcontroller. The digital potentiometer is also used to set the R_{PROG} and R_{SR} resistor values.
- A Delta-Sigma (MCP3421) combined with a shunt resistor for sensing current consumption on the V_{DD} pin.

More details on the schematic are available in [Appendix A. “Schematics and Layouts”](#).

1.3 MTD6508 DAUGHTER BOARD HARDWARE DESCRIPTION

The MTD6508 motherboard is made to drive the MTD6508 daughter board (ADM00631). The latter contains a 16-Lead UQFN 4x4 MTD6508 and the components required to operate with the UQFN MTD6508 device. Note that the ADM00631 needs to be purchased separately.

We strongly recommend to use the daughter board in conjunction with the motherboard (ADM00633). However, the MTD6508 daughter boards can also be used independently as stand-alone boards. This section provides a brief description of the MTD6508 daughter board.

Figure 1-3 provides an overview of the MTD6508 daughter board.

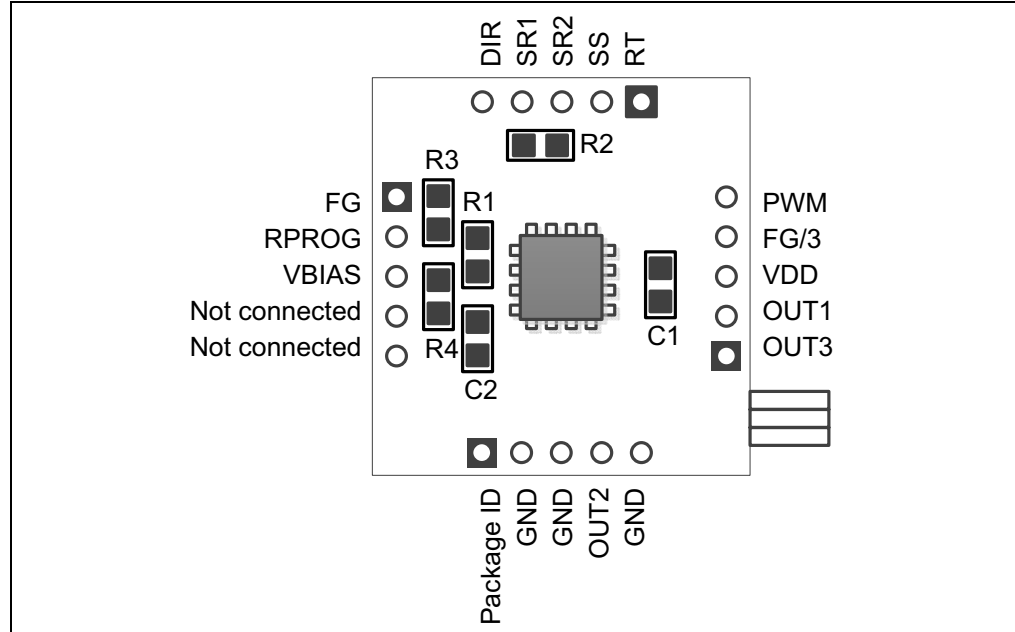


FIGURE 1-3: MTD6508 Daughter Board Overview.

- R1 is the FG pull-up resistor
- C1 and C2 are respectively the V_{DD} and the V_{BIAS} decoupling capacitors
- R2 is the slew rate resistor (R_{SR}) and is available only for the MTD6508 daughter board with a 16-Lead UQFN 4x4 MTD6508 3-Phase BLDC Sensorless Fan Controller Demo Motherboard (ADM00633) (ADM00631). This resistor is handled by the MTD6508 motherboard via the MTD6508 Demonstration Board Software GUI. This footprint has to be assembled only if the MTD6508 daughter board is not plugged into a MTD6508 motherboard. A 4.7K to 47K resistor is required.
- R3 allows connecting the R_{PROG} pin to GND. This resistor is handled by the MTD6508 motherboard via the MTD6508 Demonstration Board Software GUI. This footprint has to be assembled only if the R_{PROG} resistor is not set by the MTD6508 Demonstration Board Software GUI. A 0R resistor must be used.
- R4 allows setting the R_{PROG} resistor. This resistor is handled by the MTD6508 motherboard via the MTD6508 Demonstration Board Software GUI. This footprint has to be assembled only if the R_{PROG} resistor is not set by the MTD6508 Demonstration Board Software GUI. A 24K, 3.9K or 0R resistor is required to connect the R_{PROG} pin to V_{BIAS} .

More details of the schematic are available in [Appendix A. “Schematics and Layouts”](#).

1.4 WHAT THE MTD6508 3-PHASE BLDC SENSORLESS FAN CONTROLLER DEMO MOTHERBOARD (ADM00633) KIT INCLUDES

The MTD6508 3-Phase BLDC Sensorless Fan Controller Motherboard package (ADM00633) includes:

- MTD6508 Motherboard (ADM00633)
- One mini-USB cable
- One 3-Phase BLDC fan (use with KM = 2)
- Important Information Sheet

Chapter 2. Installation and Operation

2.1 GETTING STARTED

The following sections describe how to install and use the MTD6508 Demonstration Board Kit either without or in conjunction with the MTD6508 Demonstration Board Software GUI.

2.2 BOARD SETUP

Figure 2-1 identifies the required points for using the MTD6508 Demonstration Board Kit.

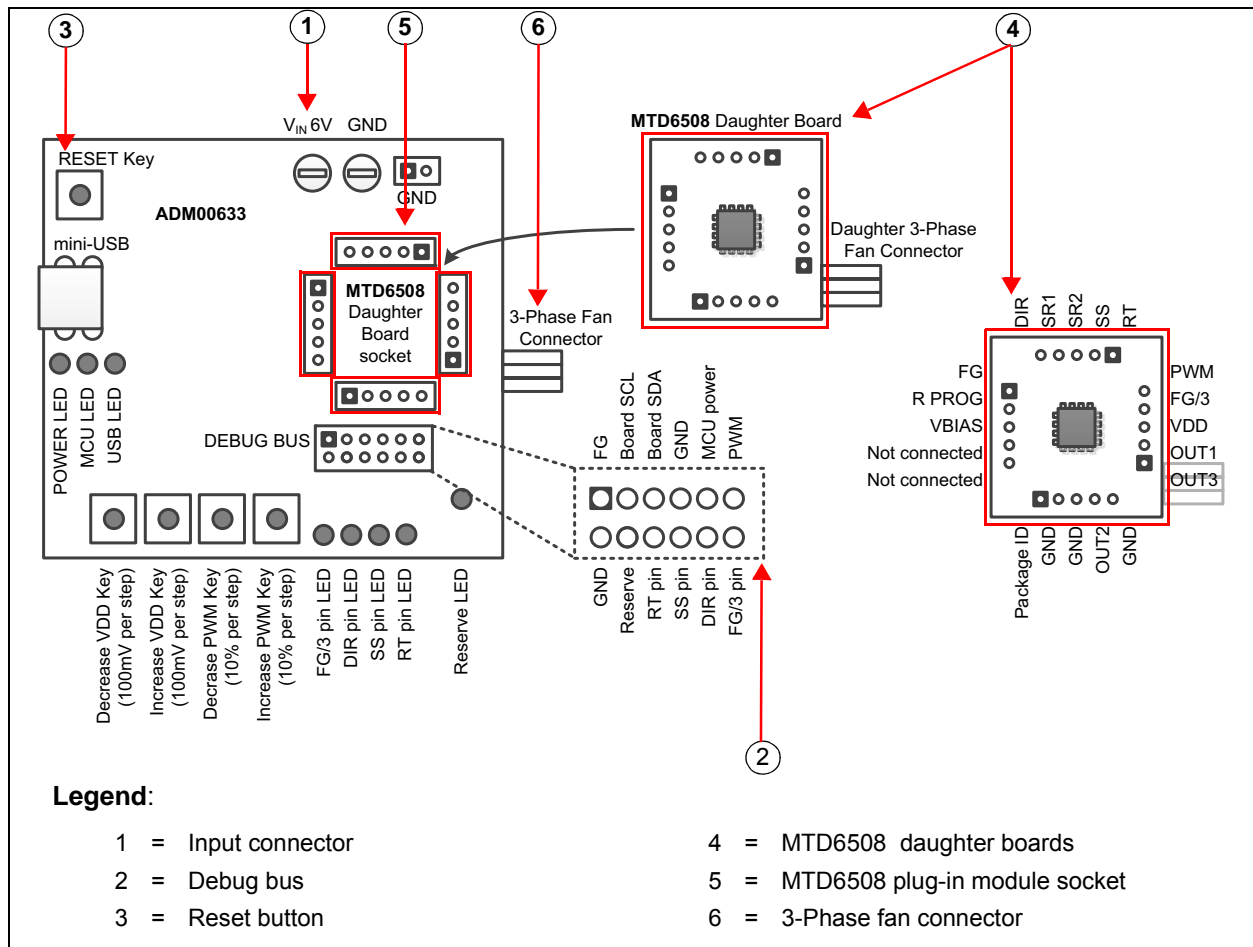


FIGURE 2-1: Top View – Hardware Components.

Note: The MTD6508 daughter boards (ADM00631) are not included in the ADM00633 kit and must be purchased separately.

2.3 USING THE MTD6508 DEMONSTRATION BOARD KIT WITHOUT THE MTD6508 DEMONSTRATION BOARD SOFTWARE GUI

To use the MTD6508 motherboard without the MTD6508 Demonstration Board Software GUI, follow these steps:

1. Plug the MTD6508 daughter board into its dedicated socket on the MTD6508 motherboard (see [Figure 2-1](#)).
2. To plug in a 3-phase BLDC sensorless fan, choose one of these connections:
 - the 3-phase fan connector on the MTD6508 motherboard (J1)
 - the fan connector on the MTD6508 daughter board.
3. Connect the power supply to the V_{IN} test point. The necessary V_{IN} value is $+6V \pm 5\%$. The power supply has to deliver up to 1.0A.
4. Turn on the power switch. The POWER LED and the MCU LED will light up. The fan will start rotating with these default parameters:
 - KM = High Z (needs the assembly of an R_{PROG} resistor)
 - $V_{DD} = 5V$
 - PWM = 100%
 - R_{SR} resistor = 10K
 - FG/3 = DIR = SS = RT = GND.
5. To adjust the fan speed, use the V_{DD} keys to increase or decrease V_{DD} in conjunction with the PWM keys to increase or decrease the PWM.

2.4 SOFTWARE INSTALLATION

In order to use the MTD6508 motherboard with a PC software, the MTD6508 motherboard GUI needs to be installed. This section describes the installation procedure.

The MTD6508 motherboard software installer can be downloaded from the Microchip website at <http://www.microchip.com>. Search for the evaluation board on the website by part number ADM00633. The GUI can be downloaded from the board web page.

Note: This application requires Microsoft® .NET Framework 4 or later. The installer will automatically install the Framework if it is not present.

1. Unzip the archive and open the .exe file. The MTD6508 Demonstration Board Software GUI will initiate. Click **Next** to start the installation.



FIGURE 2-2: MTD6508 Demonstration Board Software GUI – Welcome Screen.

2. To proceed with the installation, read the License Agreement and accept by clicking the radio button corresponding to "I accept the agreement" then click **Next**.

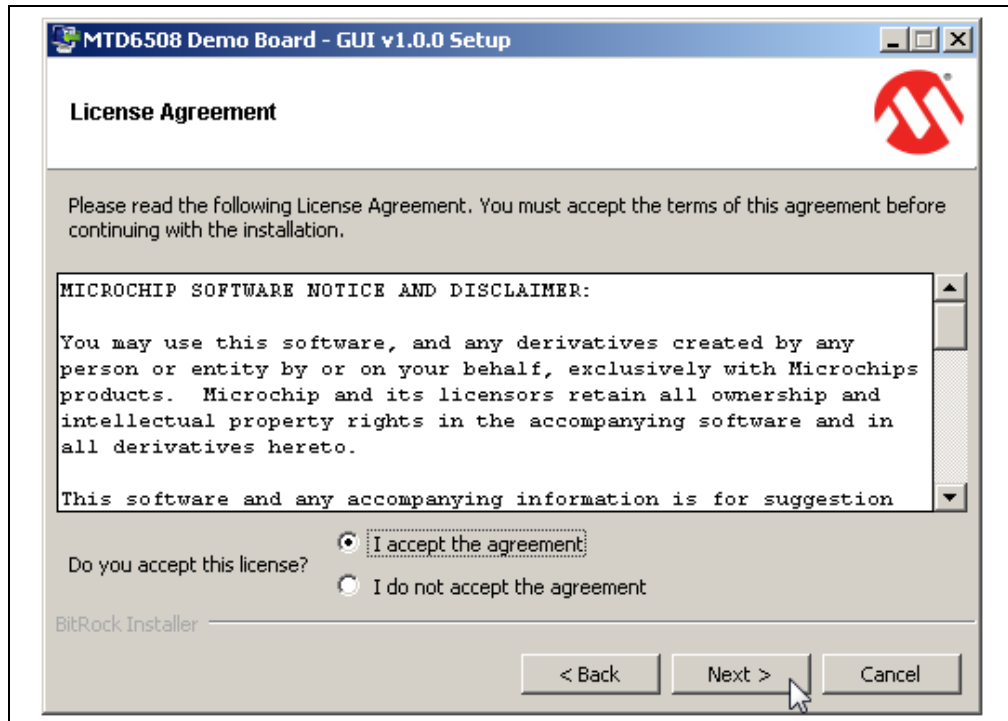


FIGURE 2-3: MTD6508 Demonstration Board Software GUI – License Agreement Screen.

3. On the Installation Directory dialog, browse for the desired location, or click **Next** to install in the default location.

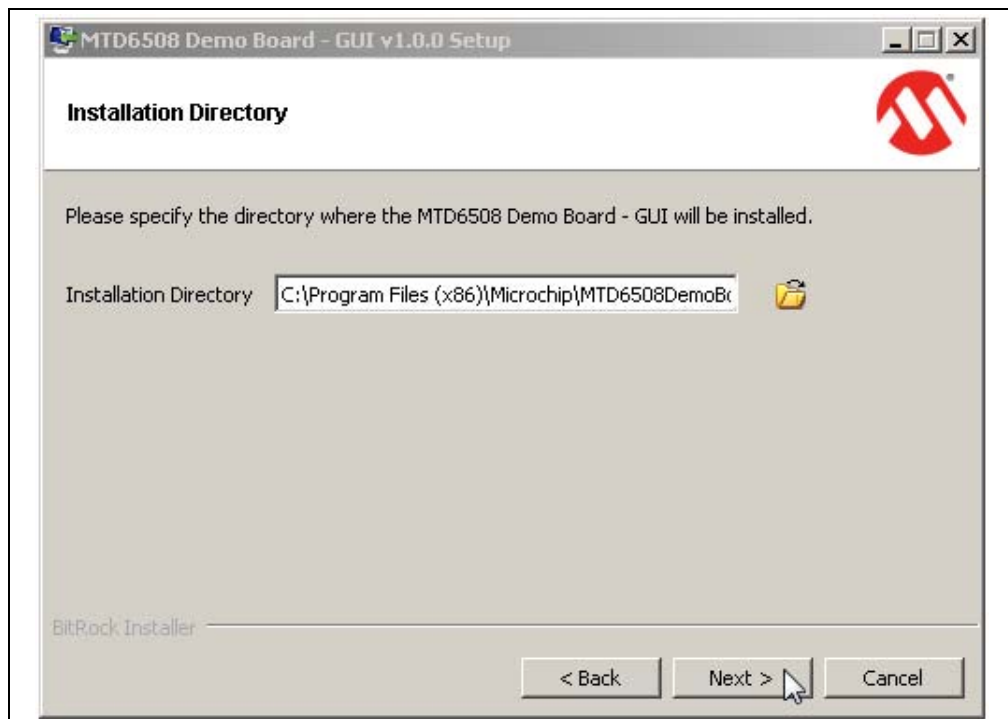


FIGURE 2-4: MTD6508 Demonstration Board Software GUI – Installation Directory Dialog.

Installation and Operation

- Once the installation path is chosen, the software is ready to install. Click **Next** to proceed.

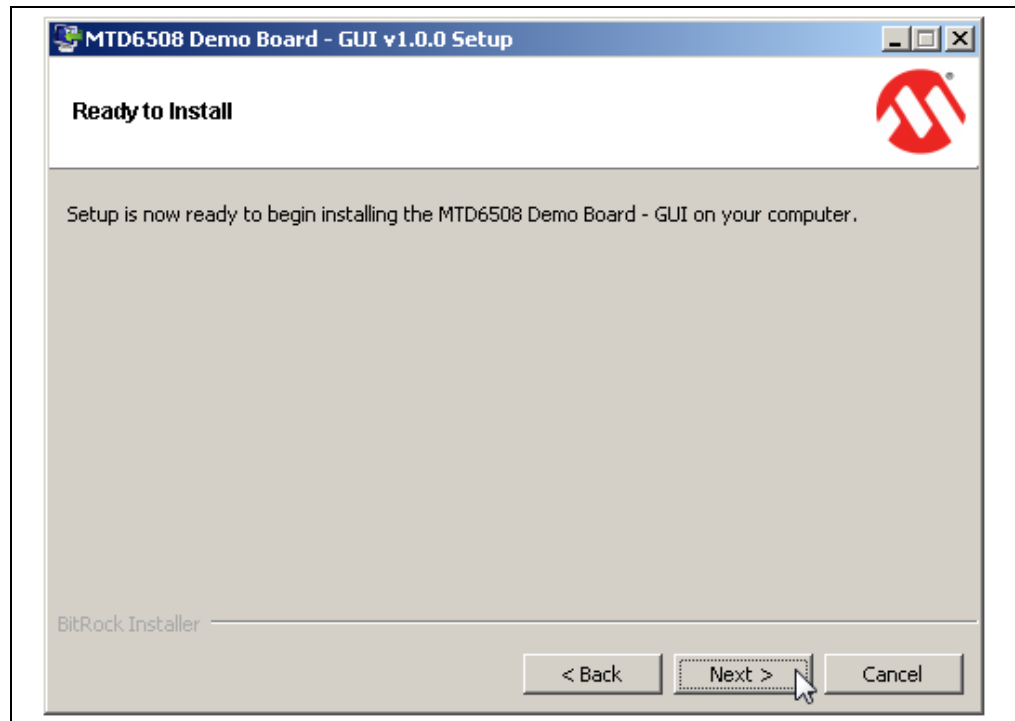


FIGURE 2-5: MTD6508 Demonstration Board Software GUI – Ready to Install Screen.

- The Installation Status window appears, showing the installation progress. After the installation has completed, click **Next** to continue.

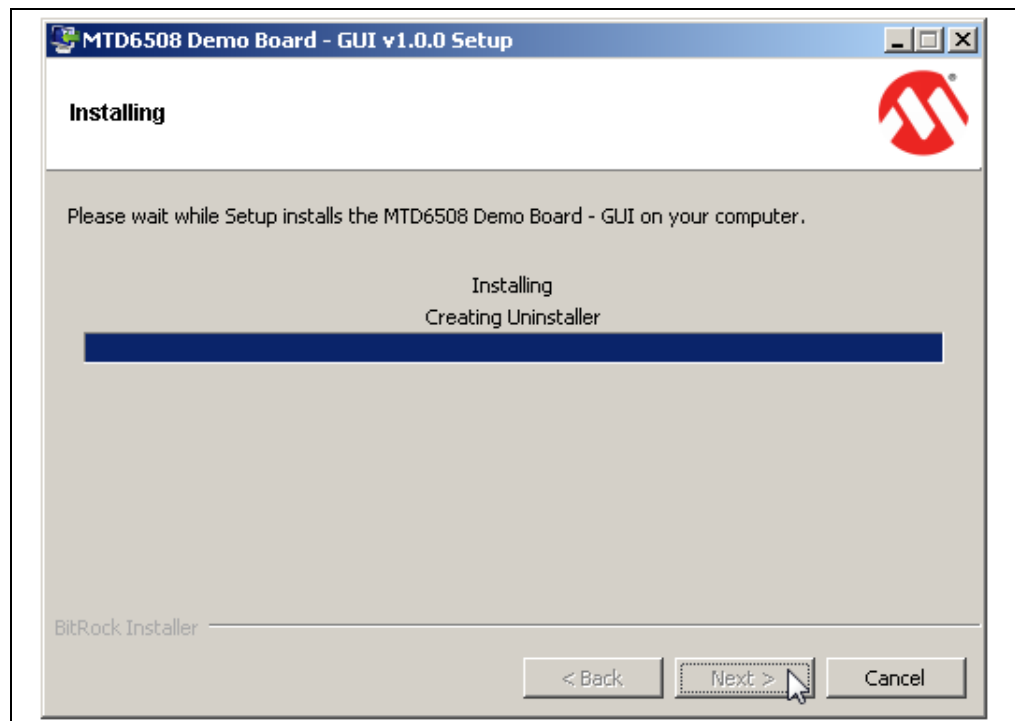


FIGURE 2-6: MTD6508 Demonstration Board Software GUI – Installation Status Window.

- Once the **Install Complete** screen appears, click **Finish** to exit the Installer.

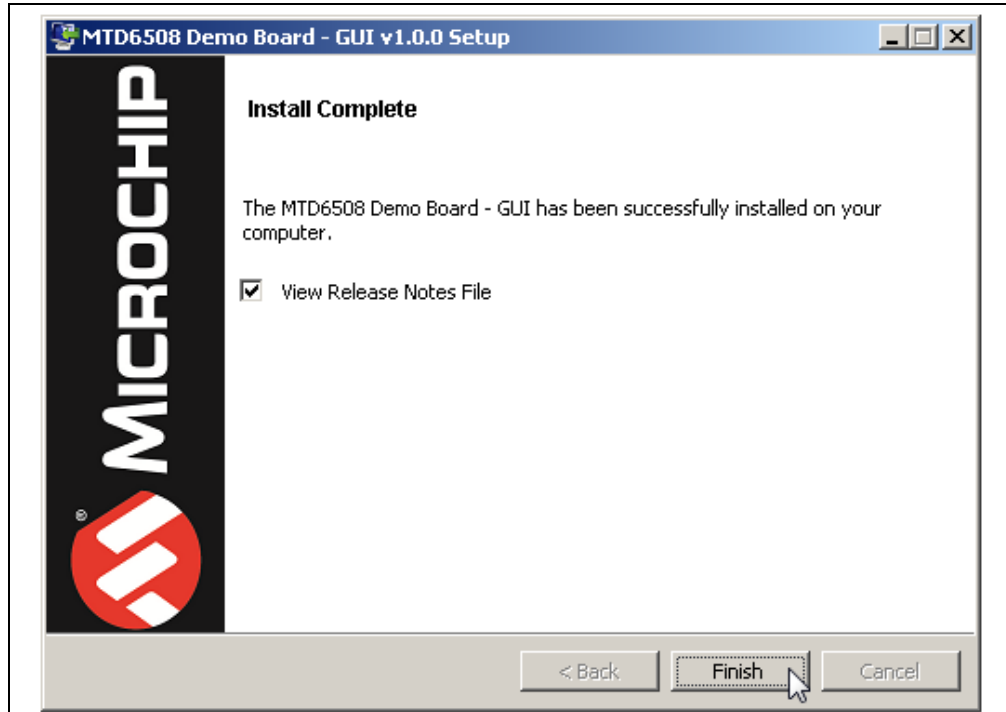


FIGURE 2-7: MTD6508 Demonstration Board Software GUI – Install Complete Screen.

- Start the software by either going to *Windows Start button > All Programs > Microchip > MTD6508 Demo Board -GUI* or by double-clicking the software icon on the desktop (📁).

2.5 USING THE MTD6508 DEMONSTRATION BOARD KIT WITH THE MTD6508 DEMONSTRATION BOARD SOFTWARE GUI

To use the MTD6508 Demonstration Board Kit with the MTD6508 Demonstration Board Software GUI, follow these steps:

- Plug the MTD6508 daughter board into its dedicated socket on the MTD6508 motherboard (see [Figure 2-1](#)).
- To plug in a 3-phase BLDC sensorless fan, choose one of the following connections:
 - the 3-phase fan connector on the MTD6508 motherboard (J1)
 - the fan connector on the MTD6508 daughter board
- Connect the power supply to the V_{IN} test point. The required V_{IN} value is $+6V \pm 5\%$. The power supply has to deliver up to 1.0A.
- Turn on the power switch. The POWER LED and the MCU LED will light up.
- Plug a mini-USB cable attached to the USB port of a computer to the MTD6508 motherboard connector.
- If required, let the computer identify the MTD6508 motherboard.
- Restart the computer, if necessary.
- Start the MTD6508 Demonstration Board Software GUI.

Note: The order of these steps is provided as an example and can be changed. It is also possible to start the MTD6508 Demonstration Board Software GUI before enabling the board.

Chapter 3. Graphical User Interface Description

3.1 MTD6508 DEMONSTRATION BOARD SOFTWARE GUI DESCRIPTION

The MTD6508 Demonstration Board Software GUI window has two tabs:

- Control: contains the necessary tools to control and monitor the MTD6508 Demonstration Board.
- Measurement: provides the necessary tools to determine if the fan is correctly adapted to the MTD6508 by testing it several times under different conditions.

3.1.1 Control Tab

Figure 3-1 shows the options and functions available for controlling and monitoring the board.

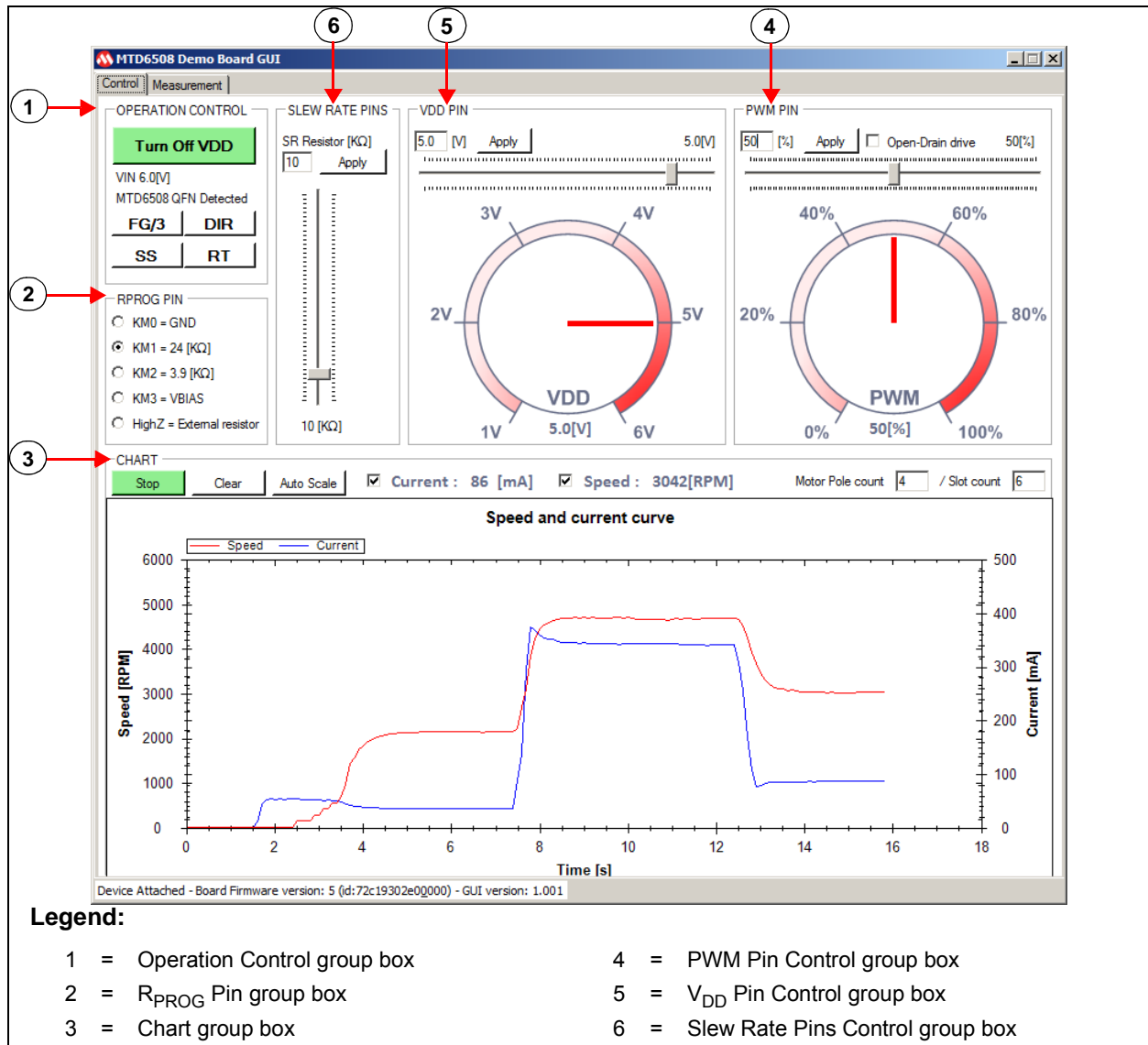


FIGURE 3-1: GUI – Control Tab.

Note: All functions presented in [Figure 3-1](#) are enabled only when the MTD6508 Demonstration Board is connected to the PC via a USB connection.

3.1.1.1 OPERATION CONTROL

The Operation Control group box contains five buttons:

- **Turn On/Off VDD** button enables/disables the power supply on the V_{DD} pin of the MTD6508. If the V_{DD} pin is supplied, the button color will turn green.
- **FG/3** is used to invert the FG/3 pin state. When the pin state is set high, the button color will turn green. If the pin state is set low, the button will gray out.
- **DIR** is used to invert the DIR pin state. Setting the pin state high will cause the button color to turn green. Setting the pin state low will switch the button color to gray.
- **SS** is used to invert the SS pin state. When the pin state is set high, the button will be displayed in green. If the pin state is set low, the button will be displayed in gray.
- **RT** is used to invert the RT pin state. Setting the pin state high will cause the button color to turn green. Setting the pin state low will switch the button color to gray.

Note: Please refer to the **MTD6508 Data Sheet – “3-Phase Sinusoidal Sensorless Brushless Fan Motor Driver” (DS20005359)** for more details on the FG/3, DIR, SS and RT pin functionality.

3.1.1.2 R_{PROG} PIN

The R_{PROG} Pin group box allows the selection of the desired R_{PROG} resistor value. This value depends on the K_M (mV/Hz) of the fan.

Note: Please refer to section [Section 3.1.3 “Defining the \$R_{PROG}\$ Value Correctly”](#) for more information on the R_{PROG} selection.

The High Z mode allows setting an external R_{PROG} resistor value directly on the MTD6508 daughter board. This is the default mode used by the MTD6508 Demonstration Board to let the user set the board's R_{PROG} resistor value when the board is used in Stand-alone mode. Therefore, it is important to specify a K_M before doing any test when using the MTD6508 Demonstration Board Software GUI.

3.1.1.3 CHART

This section of the GUI graphically represents the current consumption (in mA) of the MTD6508 device on the V_{DD} pin. It also charts the fan speed in Revolutions Per Minute (RPM) by measuring the FG frequency. The chart adds ten values per second. The three buttons in this group have the following functions:

- **Start/Stop** – allows the value acquisition to start or stop
- **Clear** – removes all the values added to the chart
- **Auto-Scale** – allows restoring the default scaling
In Default Scaling mode, the chart will automatically adjust scaling to ensure that all added values are displayed in the same view. It is also possible to select a part of the chart with your mouse and zoom into the selection. The mouse wheel zoom function is also enabled.

The Current axis shows the instant current consumption measured in mA. The Speed axis displays the instant speed measurement in RPM. By default, the displayed RPM is valid for motors with two pair of poles and six slots (4P/6S). If the connected motor has different parameters, the number of poles and slots can be adjusted.

Graphical User Interface Description

3.1.1.4 PWM PIN

The PWM Pin group box features a slide bar which allows the user to set the PWM ratio on the MTD6508 PWM pin. The gauge placed below the slide bar indicates the current PWM applied.

3.1.1.5 V_{DD} PIN

The V_{DD} Pin group box features a slide bar that allows the user to set the desired V_{DD} value. The gauge below the slide bar indicates the instant V_{DD} value measured by the MTD6508 Demonstration Board.

3.1.1.6 SLEW RATE PINS

The Slew Rate group box provides a slide bar to set the desired R_{SR} value.

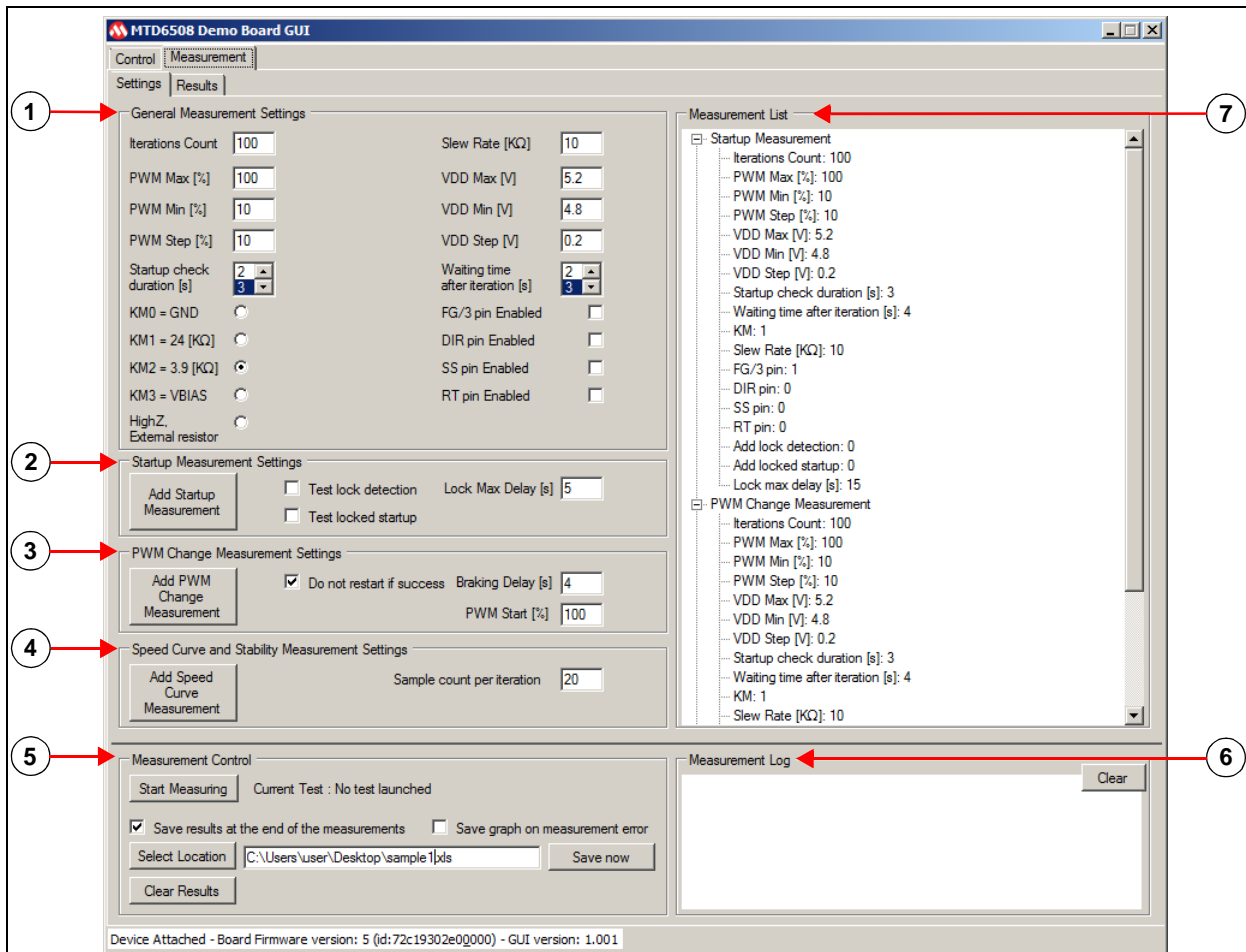
3.1.2 Measurement Tab

The **Measurement** tab provides the tools necessary to determine if the fan is correctly adapted to the MTD6508 and its settings. These tools are organized in two sub-tabs:

- Settings
- Results

3.1.2.1 SETTINGS TAB

Figure 3-2 shows the **Settings** tab.



Legend:

- 1 = General Measurement Settings group box
- 2 = Start-up Measurement Settings group box
- 3 = PWM Change Measurement Settings group box
- 4 = Speed Curve and Stability Measurement Settings group box
- 5 = Measurement Control group box
- 6 = Measurement Log group box
- 7 = Measurement List group box

FIGURE 3-2: GUI – Measurement Tab – Settings.

Graphical User Interface Description

3.1.2.1.1 Measurement Settings

The General Measurement Settings group box is used to specify the measurement corners required:

- Iterations Count – for one corner
- PWM Corners Measurement – requires the PWM Max (%), PWM Step (%) and PWM Min (%) values setting. The software will start with the maximum value entered and will decrease the PWM by the step value until it reaches the minimum entered PWM value.
- V_{DD} corners are similar to PWM corners. A V_{DD} corner includes all PWM corners. This means that for one V_{DD} corner, all PWM corners are measured.
- Start-up Check Duration [s] – if the speed of the fan is measured as 0 RPM after this delay, the start-up is considered a fail. The recommended value for this field is 3s.
- Waiting time between each iteration [s] – specifies how many seconds are allocated to stop the fan between two tests. This value will depend on the fan lag.

3.1.2.1.2 Start-up Measurement Settings

The Start-up Measurement Settings group box is used to define several start-up measurement specific parameters.

The **Add Start-up Measurement** button will create a new start-up measurement item in the list of measurements. The newly-created item will use both parameters set in this group box as well as those in the General Measurement Settings group box.

By selecting the “Test lock detection” checkbox, the start-up test will also verify if the MTD6508 can detect a rotor lock after a successful start-up. After the rotor lock has occurred, the system checks that the FG output has stopped switching before the time defined in the “Lock Max Delay [s]” field. The rotor has to be locked by means of an external motor lock system such as an electromagnetic hammer. The reserve pin of the MTD6508 Demonstration Board (see [Section 2.2 “Board Setup”](#), [Figure 2-1](#), item 2) must be used for handling the lock signal. The lock signal is open-drain (5.5V tolerant) and active-high.

By selecting the “Test locked start-up” checkbox, the start-up test will also verify if the MTD6508 can detect a locked rotor during start-up. After the rotor lock has occurred, the system powers up the MTD6508 and checks that the switching FG output has been stopped before the time specified in the “Lock Max Delay [s]” field. The rotor has to be locked by means of an external motor lock system such as an electromagnetic hammer. The reserve pin of the MTD6508 Demonstration Board must be used for handling the lock signal. The lock signal is open-drain (5.5V tolerant) and active-high. This locked start-up test is an additional test that will initiate a new power cycle. Thus, it will not override the regular start-up test.

3.1.2.1.3 PWM Change Measurement Settings

The **Add PWM Change Measurement** button will add a new PWM change measurement item into the measurements list. The new item will use the parameters defined in this group box as well as those in the General Measurement Settings group box.

The PWM Change Measurement starts with the PWM value entered in the “PWM Start [%]” field. After the specified start-up delay (defined in the “start-up check duration [s]” field in the General Measurement Settings group box), the PWM starts changing depending on the PWM corner specified. The software will then verify if the fan is still running. This last check will occur after the delay set in the “Braking Delay [s]” field.

If the PWM change has been successful and the “Do not restart if success” checkbox has been selected, the test will simply restore the PWM Start value for the next test instead of completely restarting the fan.

3.1.2.1.4 Speed Curve and Stability Measurement Settings

Use the **Add Speed Curve Measurement** button to add a new speed curve and stability measurement item into the list of measurements. The new item will use both the parameters of this group box as well as those set in the General Measurement Settings group box.

This measurement requires a number of samples defined in the “Sample count per iteration” field for checking the speed stability.

3.1.2.1.5 Measurement Control

This group box contains three buttons that allows the user to control the work flow:

- **Start Measuring** – starts and stops the required measurements
- **Clear Result** – clears the current result displayed on the screen
- **Save Now** – stores the current measurement in a Microsoft® Excel® file into the specified folder

If the “Save results at the end of the measurement” checkbox is selected, a copy of the results will automatically be stored once all measurements have been completed. The results will be stored in an Excel file in the specified folder.

If the “Save graph on measurement error” checkbox is checked, a copy of the graph generated by the chart (see [Figure 3-2](#), item 5) will be saved as a picture in the specified folder in order to diagnose the issue afterwards.

3.1.2.1.6 Measurement Log

This group box contains a log that displays a summary of the issues detected during measurements.

3.1.2.1.7 Measurement List

This group box consists of a tree view that summarizes all measurements that have been selected by the user.

The order of the measurements in the list can be edited by right-clicking the selected items. Right-clicking the measurement items will also allow the user to remove them individually. The measurement parameters can be edited by double clicking on them.

If the measurement list is edited during an ongoing test, the updated parameters will be applied only to the upcoming measurements.

Graphical User Interface Description

3.1.2.2 MEASUREMENT RESULTS TAB

Figure 3-3 shows the **Results** sub-tab:

The screenshot displays the MTD6508 Demo Board GUI with the Measurement Results sub-tab active. The interface is divided into several sections:

- Table (1):** A table with 11 columns: Test Name, Item Number, PWM [%], VDD [V], FG [RPM], IDD [mA], Result 1, Result 2, Result 3, Result 4, and Result 5. The table contains two sets of data for 'Startup' tests. The first set has 10 iterations with PWM at 100% and VDD at 5.2V. The second set has 5 iterations with PWM at 90% and VDD at 5.2V. All results are 'Startup Success'.
- Measurement Control (2):** A group box containing controls for stopping the measurement, saving results, and selecting a location. The current test is 'Startup, 5.2[V], 90[%], item n°6'. The save location is 'C:\Users\user\Desktop\sample1.xls'.
- Measurement Log (3):** A group box with a 'Clear' button for the log.
- Measurement Result Area (4):** A large grey area below the table, which fills up progressively as results are generated.

Legend:

- 1 = Measurement Results table
- 2 = Measurement Control group box
- 3 = Measurement Log group box
- 4 = Measurement result area (it fills up progressively as the results are generated)

FIGURE 3-3: GUI – Measurement Tab – Results.

The test results are displayed in this table. All the tests have the first six columns in common. The other columns are relevant only for specific tests. The buttons that control the management of the results (**Select Location**, **Save now** and **Clear Results**) are visible in this tab as well as in the Measurements Settings Tab > Measurement Control group box (see description in [Section 3.1.2.1.5 “Measurement Control”](#)).

3.1.3 Defining the R_{PROG} Value Correctly

This section explains how to define the K_M value correctly for a specific fan. K_M is linked to R_{PROG} (see [Table 3-1](#)). Setting an incorrect K_M value may result in a number of issues, including a reduction in efficiency.

3.1.3.1 OPERATION

Follow the next steps to define the right R_{PROG} value:

1. Apply a constant stream of air to a fan that is not connected.
2. Using an oscilloscope, measure the waveform between two phases when the fan is rotating.
3. Measure the generated peak-to-peak voltage (V_{p-p}) value and the frequency (f).
4. Compute K_M based on the measured V_{p-p} and f (in mV/Hz) by using this equation:

EQUATION 3-1: CALCULATING K_M

$$K_M = \frac{V_{p-p}}{2f}$$

K_M should remain constant for all fan rotation speeds, but when measuring the K_M value, the fan rotation speed due to the air stream should be close to the nominal fan rotation speed.

[Table 3-1](#) shows the corresponding K_M for different R_{PROG} values.

TABLE 3-1: R_{PROG} VALUE

R _{PROG}	K _M	K _M Range (mV/Hz)
V _{BIAS} (0Ω)	3	26 - 52
3.9 kΩ	2	13 - 26
24 kΩ	1	6.5 - 13
GND	0	3.25 - 6.5



MTD6508 3-PHASE BLDC SENSORLESS FAN CONTROLLER DEMO MOTHERBOARD (ADM00633) USER'S GUIDE

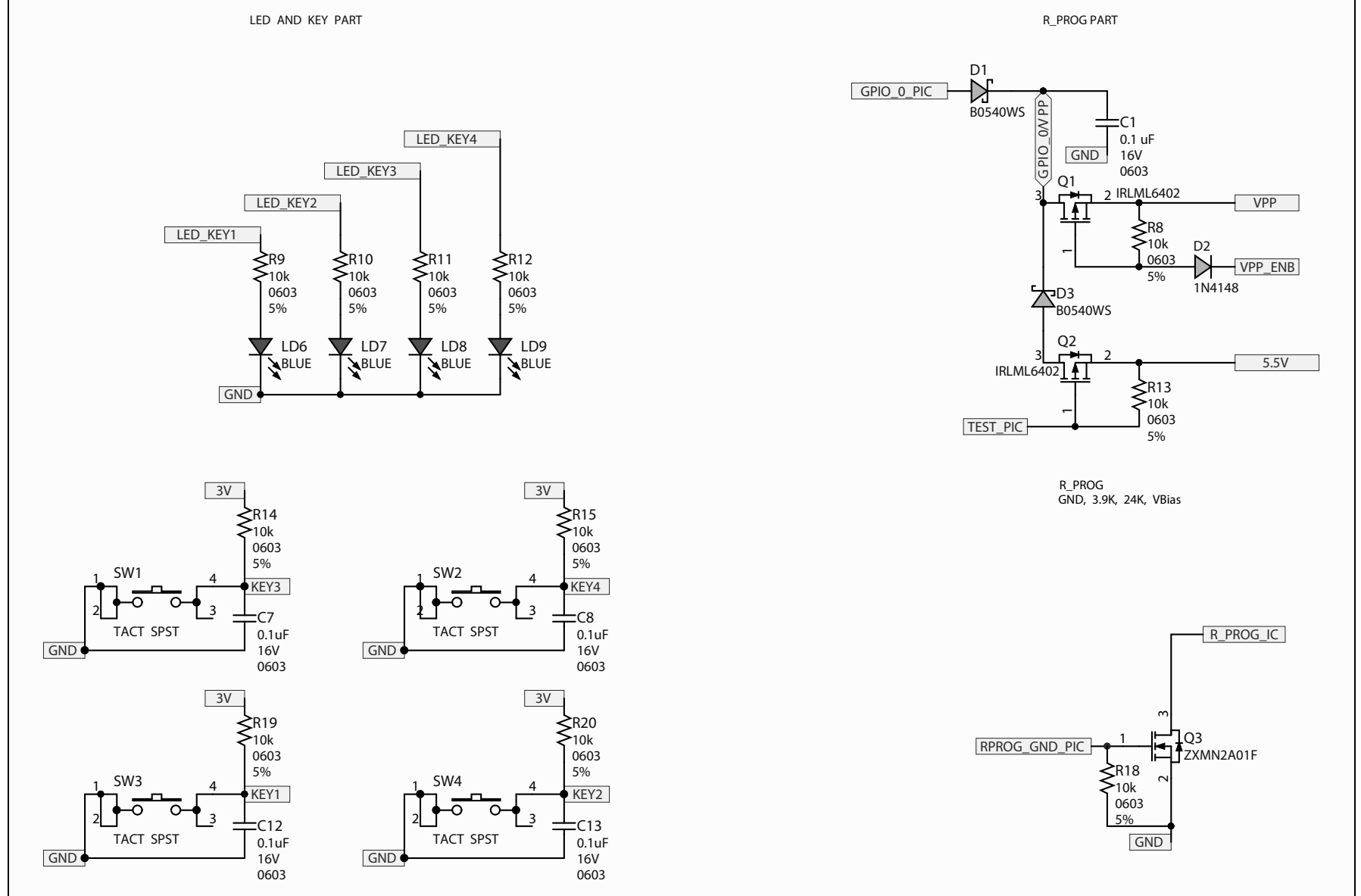
Appendix A. Schematics and Layouts

A.1 INTRODUCTION

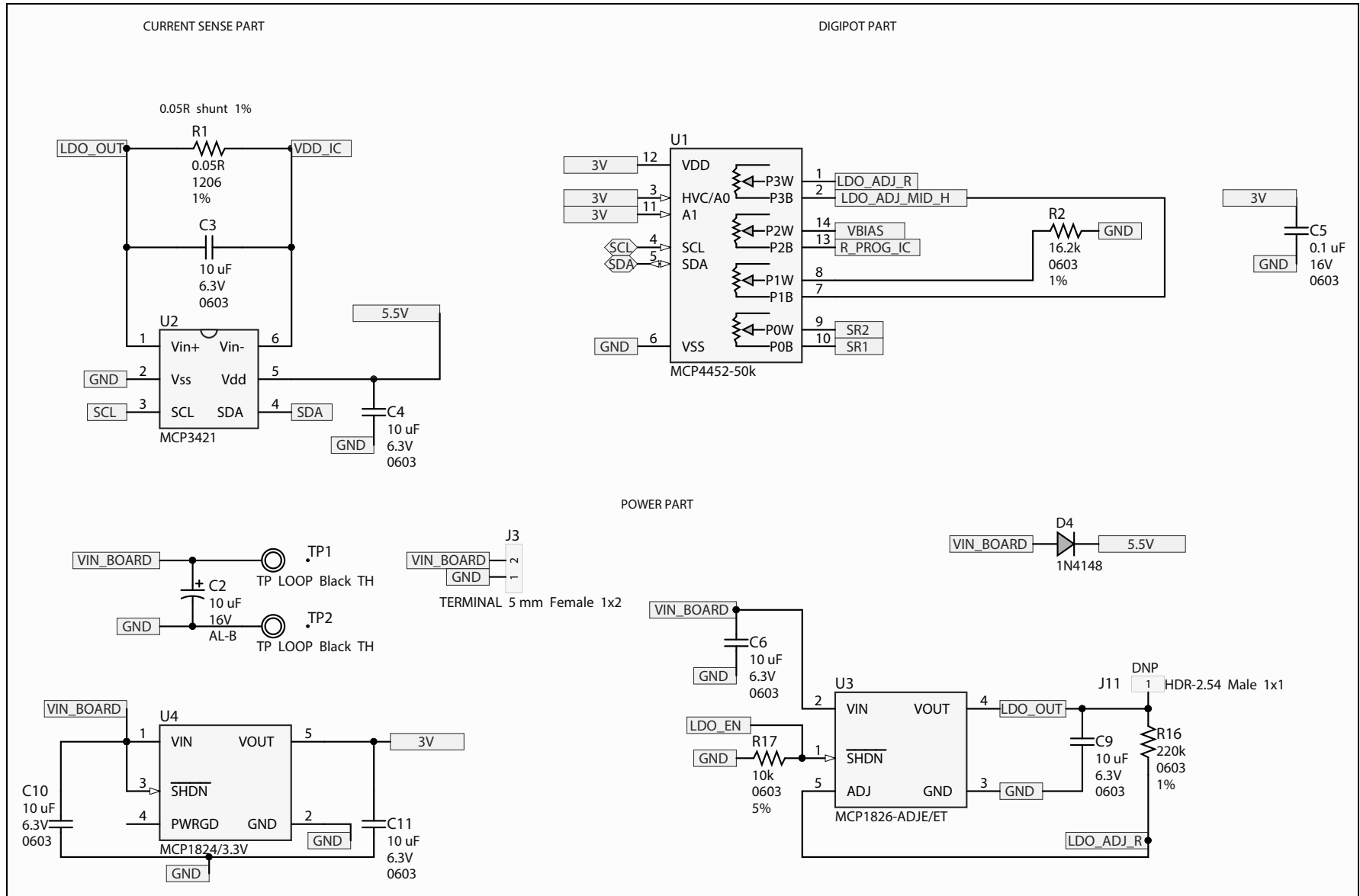
This appendix contains the schematics and layouts for the MTD6508 3-Phase BLDC Sensorless Fan Controller Demo Motherboard (ADM00633):

- ADM00633 Board – Schematic: LED Part, Key Part and R_Prog Part
- ADM00633 Board – Schematic: Current Sense Part, Digipot Part and Power Part
- ADM00633 Board – Schematic: PIC24F Part
- ADM00633 Board – Schematic: MTD6508 Connector Part, USB Connection Part and Probe Part
- ADM00633 Board – Top Silk
- ADM00633 Board – Top Copper and Silk
- ADM00633 Board – Bottom Copper and Silk

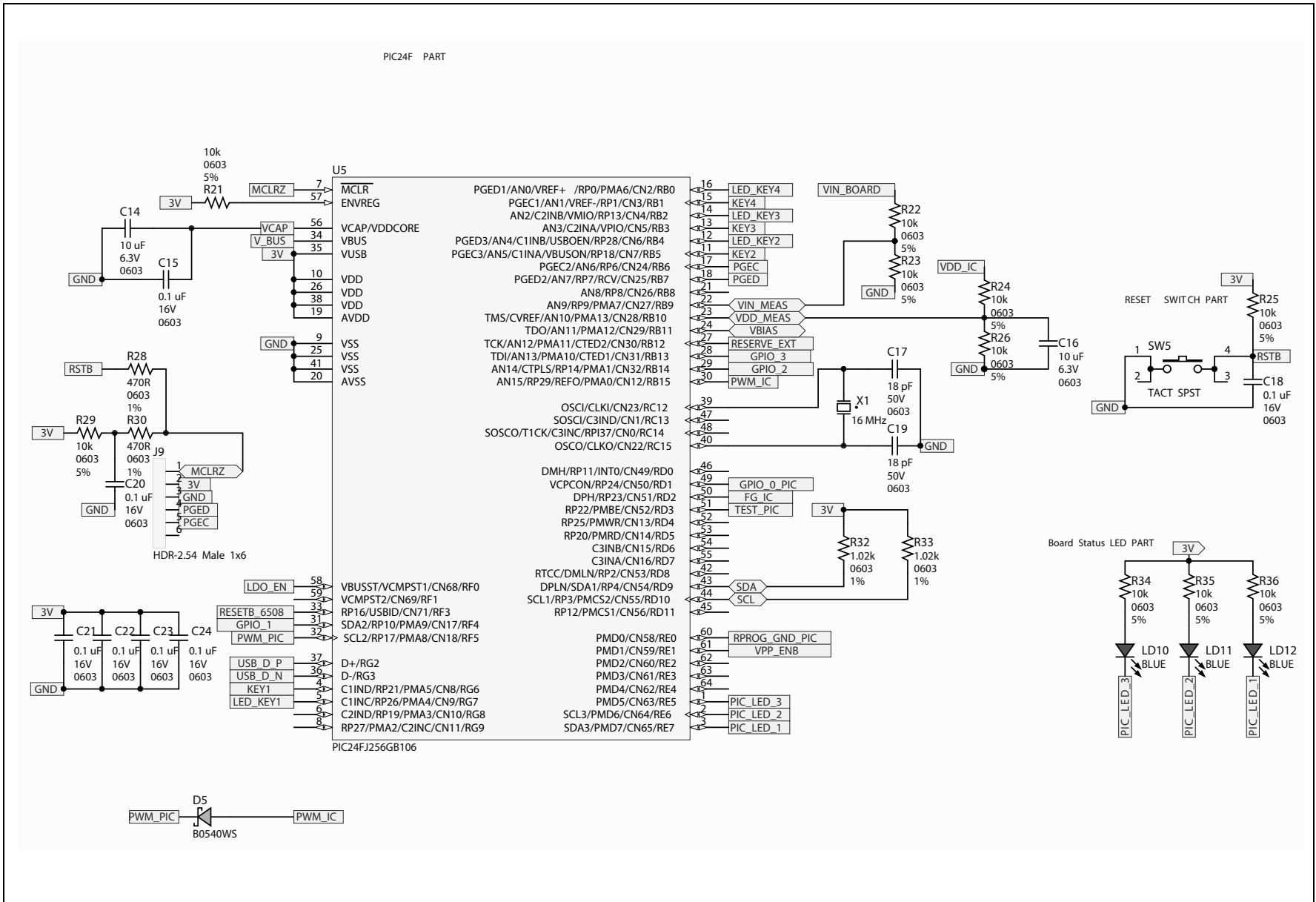
A.2 ADM00633 BOARD – SCHEMATIC: LED PART, KEY PART AND R_PROG PART



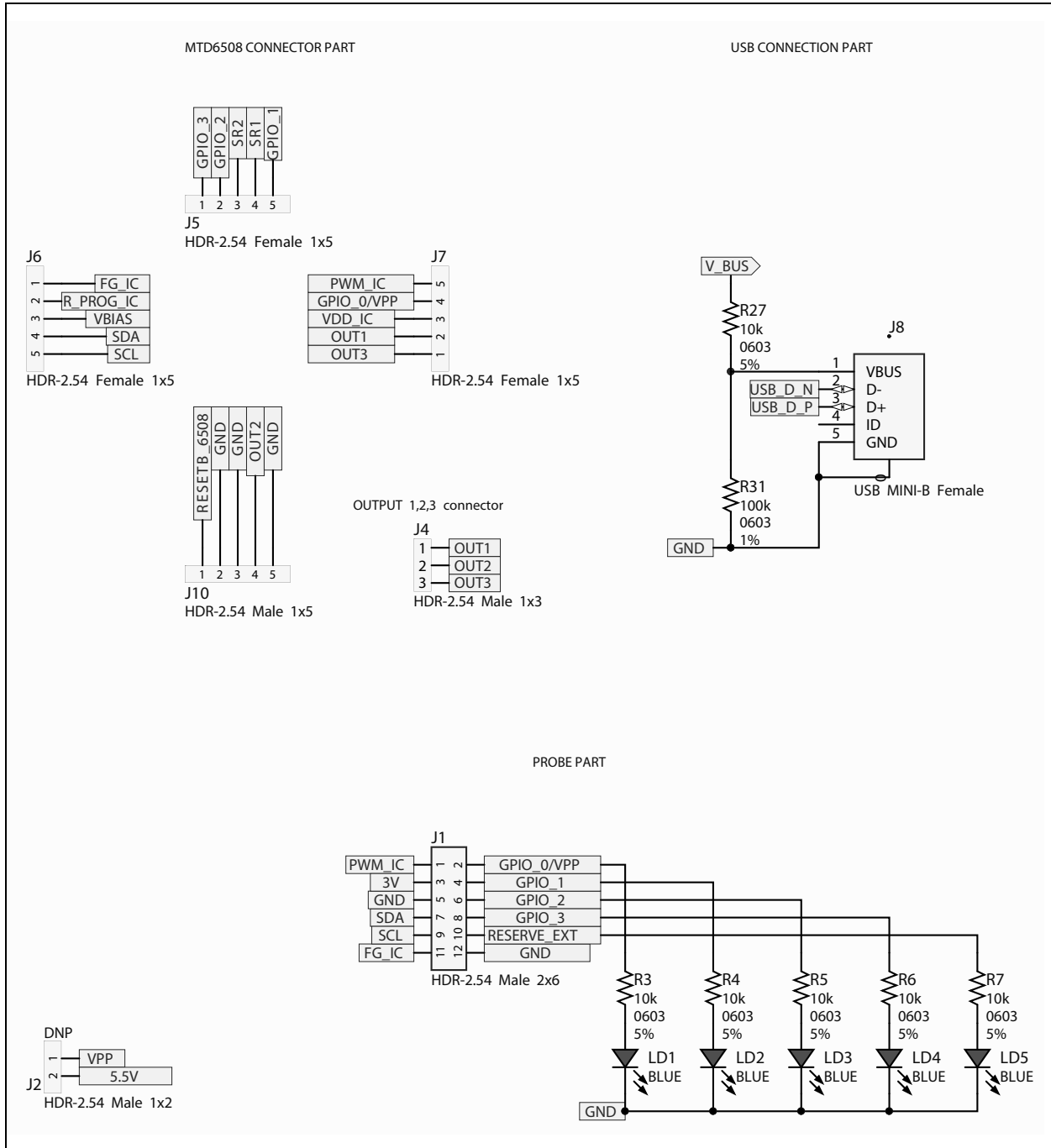
A.3 ADM00633 BOARD – SCHEMATIC: CURRENT SENSE PART, DIGIPOT PART AND POWER PART



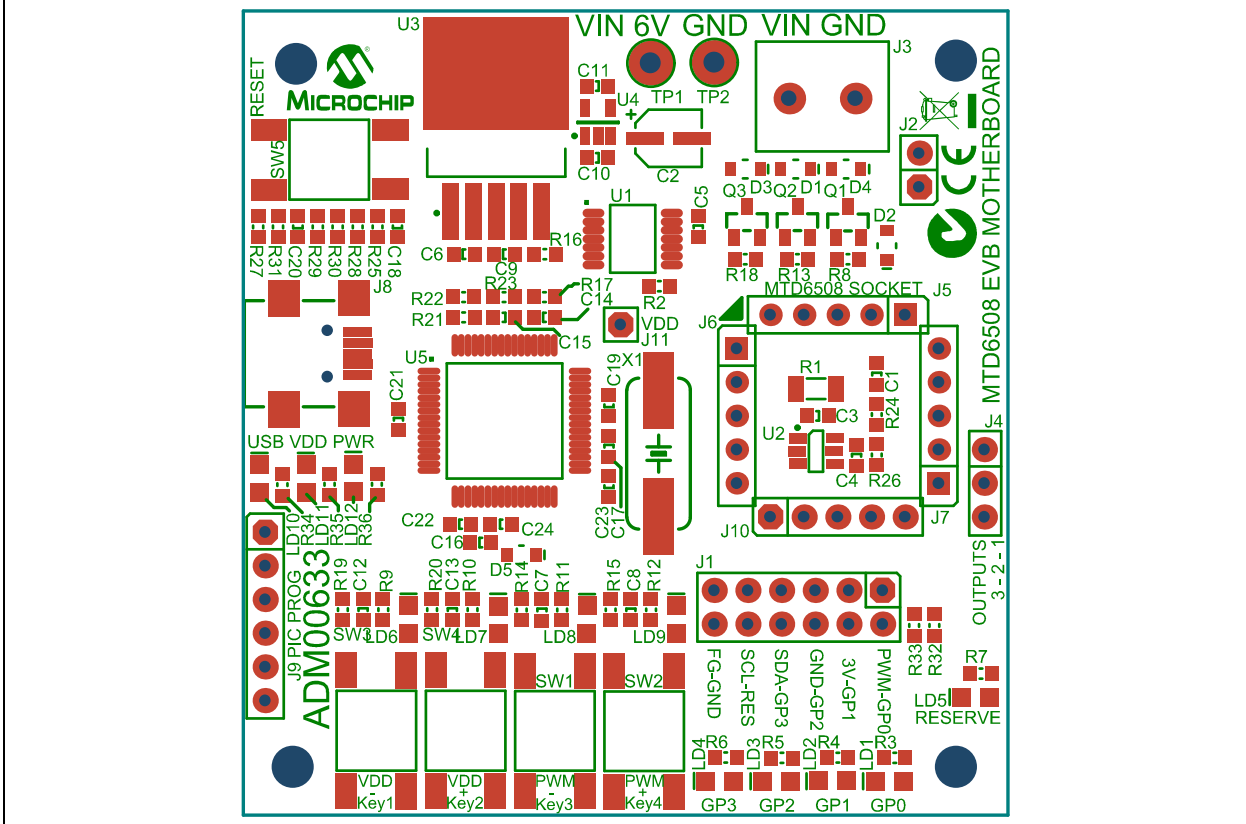
A.4 ADM00633 BOARD – SCHEMATIC: PIC24F PART



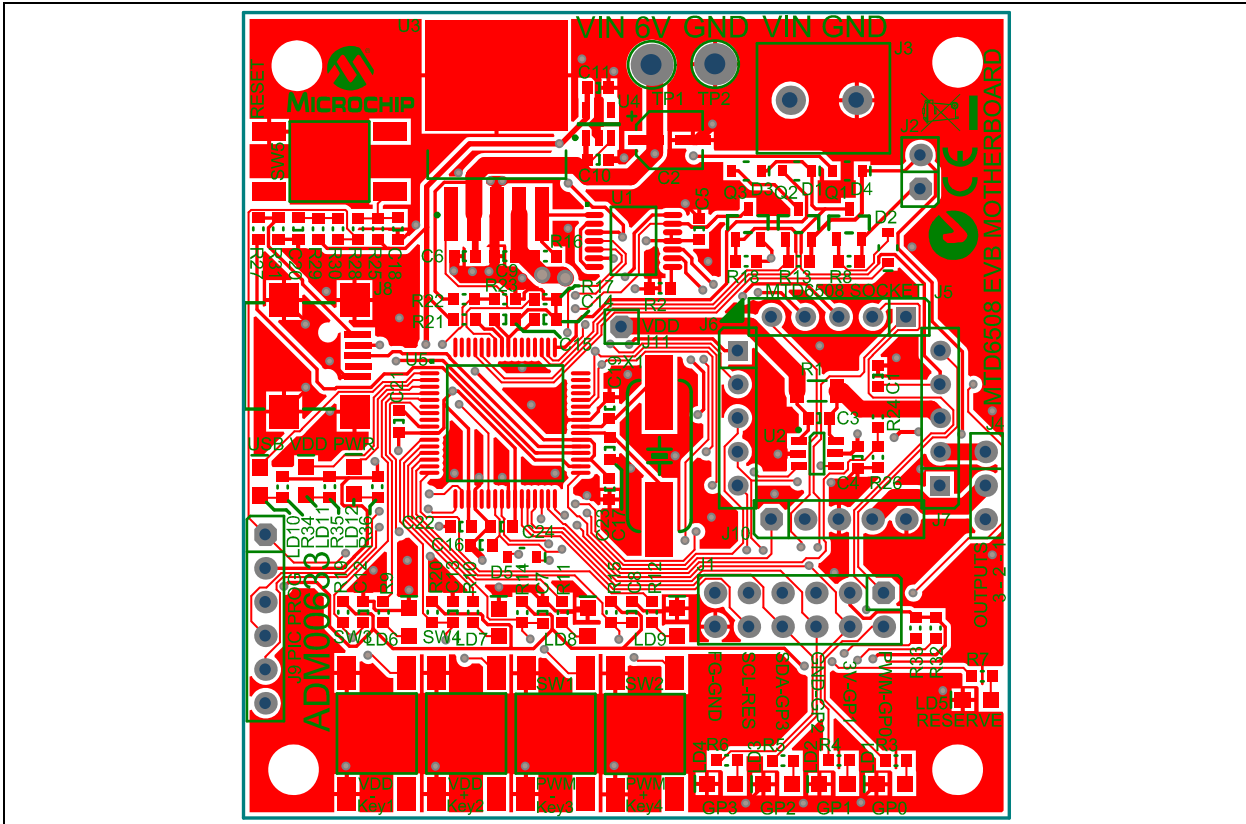
A.5 ADM00633 BOARD – SCHEMATIC: MTD6508 CONNECTOR PART, USB CONNECTION PART AND PROBE PART



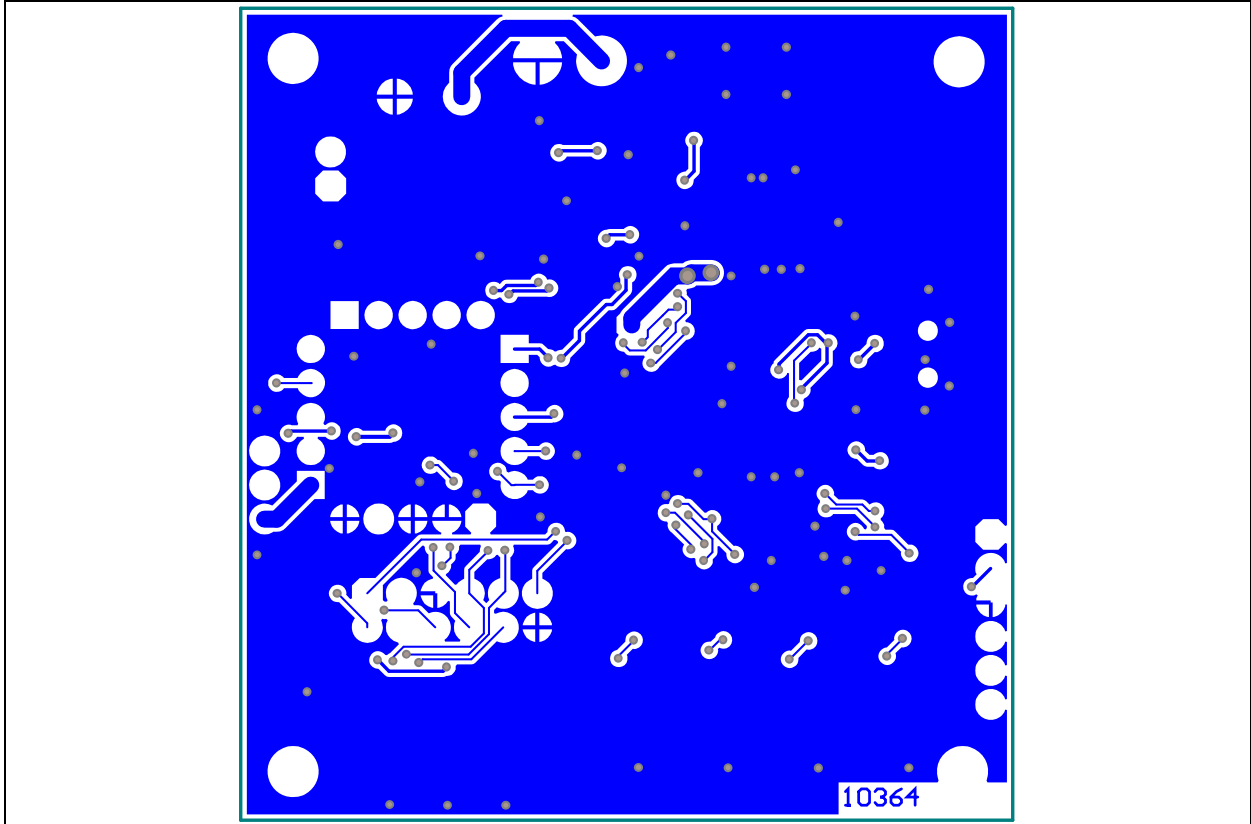
A.6 ADM00633 BOARD – TOP SILK



A.7 ADM00633 BOARD – TOP COPPER AND SILK



A.8 ADM00633 BOARD – BOTTOM COPPER AND SILK





MTD6508 3-PHASE BLDC SENSORLESS FAN CONTROLLER DEMO MOTHERBOARD (ADM00633) USER'S GUIDE

Appendix B. Bill of Materials (BOM)

TABLE B-1: BILL OF MATERIALS (BOM) – MTD6508 Demonstration Board (ADM00633)

Qty	Reference	Description	Manufacturer	Part Number
13	C1, C5, C7, C8, C12, C13, C15, C16, C18, C20, C21, C22, C23, C24	Cap. ceramic 0.1 μ F 16V 10% X7R SMD 0603	AVX Corporation	0603YC104KAT2A
1	C2	Cap. aluminum 10 μ F 16V 20% SMD B	Panasonic [®] – ECG	EEE-1CA100SR
7	C3, C4, C6, C9, C10, C11, C14	Cap. ceramic 10 μ F 6.3V 20% X5R SMD 0603	AVX Corporation	06036D106MAT2A
2	C17, C19	Cap. ceramic 18 pF 50V 5% NP0 SMD 0603	KEMET [®]	C0603C180J5GACTU
3	D1, D3, D5	Diode SCKY B0540WS 480 mV 500 mA 40V SOD-323	Diodes [®] Incorporated	B0540WS-7
2	D2, D4	Diode RECT 1N4148 855 mV 300 mA 75V SOD-323	Diodes Incorporated	1N4148WS-7
1	J1	Conn. header - 2.54 Male 2x6 Gold 5.84 MH TH vert.	Samtec [®] , Inc.	TSW-106-07-G-D
1	J3	Conn. terminal 5 mm 18A Female 1x2 TH R/A	PHOENIX CONTACT	1935161
1	J4	Conn. header - 2.54 Male 1x3 Gold 5.84 MH TH R/A	Samtec, Inc.	TSW-103-08-F-S-RA
3	J5, J6, J7	Conn. header - 2.54 Female 1x5 Gold TH	Mill-Max [®] Mfg. Corporation	801-43-005-10-001000
1	J8	Conn. USB mini-B Female SMD R/A	Hirose Electric Co., Ltd.	UX60-MB-5ST
1	J9	Conn. header - 2.54 Male 1x6 Gold 5.84 MH TH vert.	FCI [®] Electronics	68001-106HLF
1	J10	Conn. header - 2.54 Male 1x5 Tin 5.84 MH TH vert.	Samtec, Inc.	TSW-105-07-T-S
12	LD1, LD2, LD3, LD4, LD5, LD6, LD7, LD8, LD9, LD10, LD11, LD12	Diode LED Blue 2.8V 20 mA 104mcd Clear SMD 0805	Lite-On [®] Technology Corporation	LTST-C170TBKT
2	Q1, Q2	Trans. FET P-CH IRLML6402 -20V -3.7A 1.3W SOT-23-3	International Rectifier	IRLML6402TRPBF
1	R1	Res. MS 0.05R 1% 1W SMD 1206	Vishay [®] Intertechnology, Inc.	WSLP1206R0500FEA
1	R2	Res. TKF 16.2k 1% 1/10W SMD 0603	Panasonic – ECG	ERJ-3EKF1622V

Note 1: The components listed in this Bill of Materials are representative of the PCB assembly. The released BOM used in manufacturing uses all RoHS-compliant components.

Bill of Materials (BOM)

TABLE B-1: BILL OF MATERIALS (BOM) – MTD6508 Demonstration Board (ADM00633)

Qty	Reference	Description	Manufacturer	Part Number
28	R3, R4, R5, R6, R7, R8, R9, R10, R11, R12, R13, R14, R15, R17, R18, R19, R20, R21, R22, R23, R24, R25, R26, R27, R29, R34, R35, R36	Res. TKF 10k 5% 1/10W SMD 0603	Panasonic – ECG	ERJ-3GEYJ103V
1	R16	Res. TKF 220k 1% 1/10W SMD 0603	Panasonic – ECG	ERJ-3EKF2203V
2	R28, R30	Res. TKF 470R 1% 1/10W SMD 0603	Yageo® Corporation	RC0603FR-07470RL
1	R31	Res. TF 100k 1% 1/8W SMD 0603	Vishay Intertechnology	MCT06030C1003FP500
2	R32, R33	Res. TKF 1.02k 1% 1/10W SMD 0603	Panasonic – ECG	ERJ-3EKF1021V
5	SW1, SW2, SW3, SW4, SW5	Switch tact. SPST 12V 50 mA TL3301NF160QG/TR SMD	E-Switch®, Inc.	TL3301NF260QG/TR
2	TP1, TP2	Conn. TP Loop Black TH	Keystone Electronics Corp.	5011
1	U1	MCHP Analog DIGIPOT Rheostat 4-Ch 50k MCP4452-503E/ST TSSOP-14	Microchip Technology Inc.	MCP4452-503E/ST
1	U2	MCHP Analog ADC-DELTASIGMA 18-bit MCP3421A1T-E/CH SOT-23-6	Microchip Technology Inc.	MCP3421A1T-E/CH
1	U3	MCHP Analog LDO ADJ MCP1826S-ADJE/ET DDPAK-5	Microchip Technology Inc.	MCP1826-ADJE/ET
1	U4	MCHP Analog LDO 3.3V MCP1824T-3302E/OT SOT-23-5	Microchip Technology Inc.	MCP1824T-3302E/OT
1	U5	MCHP MCU 16-BIT 32 MHz 256 kB 16 kB PIC24FJ256GB106-I/PT TQFP-64	Microchip Technology Inc.	PIC24FJ256GB106T-I/PT
1	Q3	Trans. FET N-CH ZXMN2A01F 20V 1.9A 625 mW SOT-23-3	Diodes Incorporated	ZXMN2A01FTA
1	X1	Crystal 16 MHz 18 pF SMD HC49/US	Abracon® Corporation	ABLS-16.000MHZ-B4-T

Note 1: The components listed in this Bill of Materials are representative of the PCB assembly. The released BOM used in manufacturing uses all RoHS-compliant components.

NOTES:



MICROCHIP

Worldwide Sales and Service

AMERICAS

Corporate Office

2355 West Chandler Blvd.
Chandler, AZ 85224-6199

Tel: 480-792-7200

Fax: 480-792-7277

Technical Support:

[http://www.microchip.com/
support](http://www.microchip.com/support)

Web Address:

www.microchip.com

Atlanta

Duluth, GA

Tel: 678-957-9614

Fax: 678-957-1455

Austin, TX

Tel: 512-257-3370

Boston

Westborough, MA

Tel: 774-760-0087

Fax: 774-760-0088

Chicago

Itasca, IL

Tel: 630-285-0071

Fax: 630-285-0075

Cleveland

Independence, OH

Tel: 216-447-0464

Fax: 216-447-0643

Dallas

Addison, TX

Tel: 972-818-7423

Fax: 972-818-2924

Detroit

Novi, MI

Tel: 248-848-4000

Houston, TX

Tel: 281-894-5983

Indianapolis

Noblesville, IN

Tel: 317-773-8323

Fax: 317-773-5453

Los Angeles

Mission Viejo, CA

Tel: 949-462-9523

Fax: 949-462-9608

New York, NY

Tel: 631-435-6000

San Jose, CA

Tel: 408-735-9110

Canada - Toronto

Tel: 905-695-1980

Fax: 905-695-2078

ASIA/PACIFIC

Asia Pacific Office

Suites 3707-14, 37th Floor
Tower 6, The Gateway
Harbour City, Kowloon

Hong Kong

Tel: 852-2943-5100

Fax: 852-2401-3431

Australia - Sydney

Tel: 61-2-9868-6733

Fax: 61-2-9868-6755

China - Beijing

Tel: 86-10-8569-7000

Fax: 86-10-8528-2104

China - Chengdu

Tel: 86-28-8665-5511

Fax: 86-28-8665-7889

China - Chongqing

Tel: 86-23-8980-9588

Fax: 86-23-8980-9500

China - Dongguan

Tel: 86-769-8702-9880

China - Guangzhou

Tel: 86-20-8755-8029

China - Hangzhou

Tel: 86-571-8792-8115

Fax: 86-571-8792-8116

China - Hong Kong SAR

Tel: 852-2943-5100

Fax: 852-2401-3431

China - Nanjing

Tel: 86-25-8473-2460

Fax: 86-25-8473-2470

China - Qingdao

Tel: 86-532-8502-7355

Fax: 86-532-8502-7205

China - Shanghai

Tel: 86-21-5407-5533

Fax: 86-21-5407-5066

China - Shenyang

Tel: 86-24-2334-2829

Fax: 86-24-2334-2393

China - Shenzhen

Tel: 86-755-8864-2200

Fax: 86-755-8203-1760

China - Wuhan

Tel: 86-27-5980-5300

Fax: 86-27-5980-5118

China - Xian

Tel: 86-29-8833-7252

Fax: 86-29-8833-7256

ASIA/PACIFIC

China - Xiamen

Tel: 86-592-2388138

Fax: 86-592-2388130

China - Zhuhai

Tel: 86-756-3210040

Fax: 86-756-3210049

India - Bangalore

Tel: 91-80-3090-4444

Fax: 91-80-3090-4123

India - New Delhi

Tel: 91-11-4160-8631

Fax: 91-11-4160-8632

India - Pune

Tel: 91-20-3019-1500

Japan - Osaka

Tel: 81-6-6152-7160

Fax: 81-6-6152-9310

Japan - Tokyo

Tel: 81-3-6880-3770

Fax: 81-3-6880-3771

Korea - Daegu

Tel: 82-53-744-4301

Fax: 82-53-744-4302

Korea - Seoul

Tel: 82-2-554-7200

Fax: 82-2-558-5932 or

82-2-558-5934

Malaysia - Kuala Lumpur

Tel: 60-3-6201-9857

Fax: 60-3-6201-9859

Malaysia - Penang

Tel: 60-4-227-8870

Fax: 60-4-227-4068

Philippines - Manila

Tel: 63-2-634-9065

Fax: 63-2-634-9069

Singapore

Tel: 65-6334-8870

Fax: 65-6334-8850

Taiwan - Hsin Chu

Tel: 886-3-5778-366

Fax: 886-3-5770-955

Taiwan - Kaohsiung

Tel: 886-7-213-7828

Taiwan - Taipei

Tel: 886-2-2508-8600

Fax: 886-2-2508-0102

Thailand - Bangkok

Tel: 66-2-694-1351

Fax: 66-2-694-1350

EUROPE

Austria - Wels

Tel: 43-7242-2244-39

Fax: 43-7242-2244-393

Denmark - Copenhagen

Tel: 45-4450-2828

Fax: 45-4485-2829

France - Paris

Tel: 33-1-69-53-63-20

Fax: 33-1-69-30-90-79

Germany - Dusseldorf

Tel: 49-2129-3766400

Germany - Karlsruhe

Tel: 49-721-625370

Germany - Munich

Tel: 49-89-627-144-0

Fax: 49-89-627-144-44

Italy - Milan

Tel: 39-0331-742611

Fax: 39-0331-466781

Italy - Venice

Tel: 39-049-7625286

Netherlands - Drunen

Tel: 31-416-690399

Fax: 31-416-690340

Poland - Warsaw

Tel: 48-22-3325737

Spain - Madrid

Tel: 34-91-708-08-90

Fax: 34-91-708-08-91

Sweden - Stockholm

Tel: 46-8-5090-4654

UK - Wokingham

Tel: 44-118-921-5800

Fax: 44-118-921-5820

06/23/16