

FEATURES

- Up to 2.5Gbps operation
- 25mA peak drive current
- Separate modulation control
- Separate output enable for laser safety
- Differential inputs for data
- 75KΩ input pulldown resistor
- Designed for use with SY88923, SY88904 or SY88905
- Available in a tiny 10-pin (3mm) MSOP

DESCRIPTION

The SY88922 is a high-speed current switch for driving a semiconductor laser diode in optical transmission applications. The output current, or modulation current I_{MOD} , is DC current controlled by I_{RSET} , current through the resistor R_{SET} . The output OUT is HIGH when output enable is HIGH.

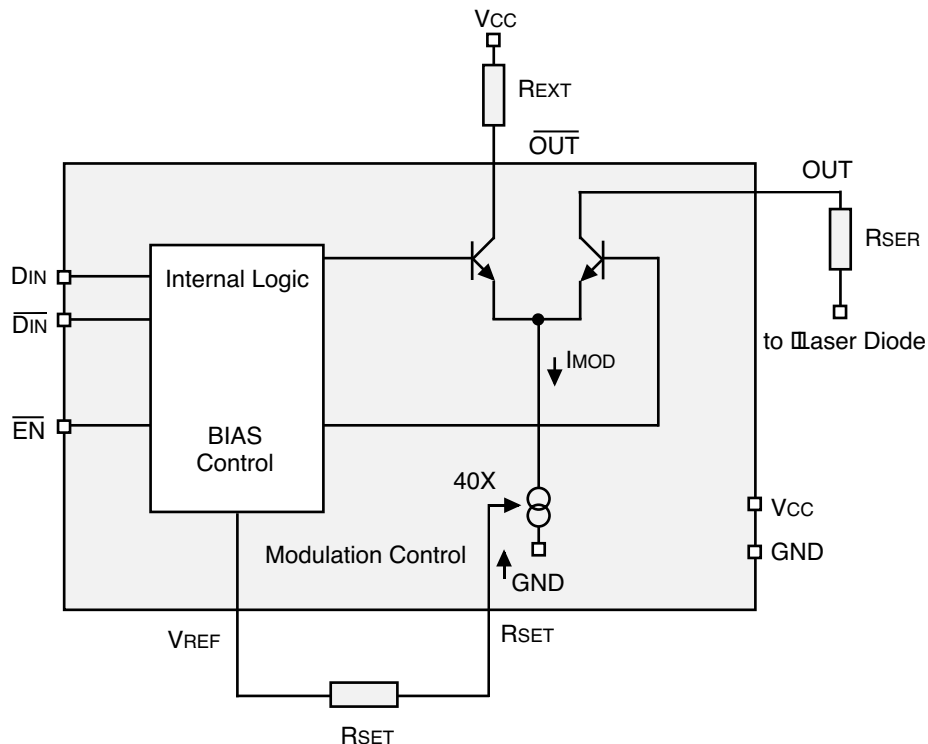
The device incorporates complementary open collector outputs with a capability of driving peak current of 25mA. The resistor R_{EXT} must be placed between \overline{OUT} and V_{CC} to dissipate the worst case power. R_{SER} is recommended to compensate for laser diode matching issues.

The SY88922 utilizes the high performance bipolar ASSET™ technology.

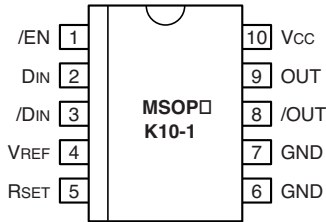
APPLICATIONS

- 1.25Gbps Gigabit Ethernet
- 531Mbps and 1062Mbps Fibre Channel
- 622Mbps SONET
- Gigabit Interface Converter
- 2.5Gb/s SDH/SONET

BLOCK DIAGRAM



PACKAGE/ORDERING INFORMATION



10-Pin MSOP (K10-1)

Ordering Information

Part Number	Package Type	Operating Range	Package Marking	Lead Finish
SY88922KC	K10-1	Commercial	922	Sn-Pb
SY88922KCTR ⁽¹⁾	K10-1	Commercial	922	Sn-Pb
SY88922KG	K10-1	Commercial	922 with Pb-Free bar-line indicator	Pb-Free NiPdAu
SY88922KGTR ⁽¹⁾	K10-1	Commercial	922 with Pb-Free bar-line indicator	Pb-Free NiPdAu

Note:

1. Tape and Reel.

PIN NAMES

Pin	Function
VCC	Most positive power supply input, +5V for PECL operation.
GND	Ground
DIN, /DIN	These differential PECL 100K compatible inputs receive NRZ data.
/EN	This PECL 100K compatible input enables Laser Driver. Modulation current goes to zero when asserted HIGH.
OUT, /OUT	Open collector outputs from the modulation buffer drive these differential current outputs.
VREF	Voltage reference for use with RSET.
RSET	An external resistor sets up the source current for modulation I_{mod} .

TRUTH TABLE⁽¹⁾

D	\bar{D}	/EN	OUT ⁽²⁾	/OUT
L	H	L	H	L
H	L	L	L	H
X	X	H	H	L

Notes:

1. L = LOW, H = HIGH, X = don't care
2. H = $I_{OUT} = 0mA$

ABSOLUTE MAXIMUM RATINGS⁽¹⁾

Symbol	Rating	Value	Unit
V _{CC}	Power Supply Voltage	0 to +7.0	V
V _I	Input Voltage	0 to V _{CC}	V
I _O	Output Current	25	mA
T _A	Operating Temperature Range	0 to +85	°C
T _{store}	Storage Temperature Range	-55 to +125	°C
T _J	Maximum Operating Junction Temperature	+125	°C
P _{tot}	Power Dissipation	250	mW

Note:

1. Permanent device damage may occur if absolute maximum ratings are exceeded. This is a stress rating only and functional operation is not implied at conditions other than those detailed in the operational sections of this data sheet. Exposure to absolute maximum rating conditions for extended periods may affect device reliability.

OPERATIONING CONDITIONS⁽¹⁾

Symbol	Rating	Value	Unit
V _{CC}	Power Supply Voltage	+4.5 to +5.5	V
R _{EXT}	Resistor to Dissipate Power	10 to 50	Ω
R _{SER}	Laser Diode Serial Resistor	0 to 50	Ω
R _{SET}	Resistor to Adjust Current	1500 to 50,000	Ω
θ _{JA}	Thermal Resistance of Package to Ambient ⁽²⁾	113	°C/W
C _{OUT}	Capacitance on OUT + /OUT	2.5 typical	pf

Notes:

1. The voltage drop across R_{EXT} and R_{SER} plus Laser Diode should not be greater than 2V.
2. Still air without heatsink.

DC ELECTRICAL CHARACTERISTICS

GND = 0V; V_{CC} = +5.0V ±10%; T_A = 0°C to + 85°C

Symbol	Parameter	T _A = 0°C			T _A = +25°C			T _A = +85°C			Unit
		Min.	Typ.	Max.	Min.	Typ.	Max.	Min.	Typ.	Max.	
V _{IH}	Input HIGH Voltage (D _{IN} , /D _{IN} , /EN)	V _{CC} -1165	—	V _{CC} -880	V _{CC} -1165	—	V _{CC} -880	V _{CC} -1165	—	V _{CC} -880	mV
V _{IL}	Input LOW Voltage (D _{IN} , /D _{IN} , /EN)	V _{CC} -1810	—	V _{CC} -1475	V _{CC} -1810	—	V _{CC} -1475	V _{CC} -1810	—	V _{CC} -1475	mV
V _{REF}	Reference Voltage	—	3.12	—	—	3.00	—	—	2.80	—	V
I _{IL}	Input LOW Current ⁽¹⁾ (D _{IN} , /D _{IN} , /EN)	0.5	—	—	0.5	—	—	0.5	—	—	μA
I _{IH}	Input HIGH Current (D _{IN} , /D _{IN} , /EN)	—	—	100	—	—	100	—	—	100	μA
I _{CC}	Supply Current ⁽²⁾	—	16	25	—	16	25	—	16	25	mA
I _{OL}	Output LOW Current (/EN = HIGH)	—	—	500	—	—	500	—	—	500	μA
I _{OUT}	Modulation Current	5	15	25	5	15	25	5	15	25	mA
I _{RSET}	Modulation Control	0.125	—	0.625	0.125	—	0.625	0.125	—	0.625	mA
A _{RSET}	=I _{OUT} /I _{RSET}	30	38	44	30	38	44	30	38	44	—

Notes:

1. V_I = V_{IL}(Min.)
2. I_{MOD} = 25mA.

AC ELECTRICAL CHARACTERISTICS(1)

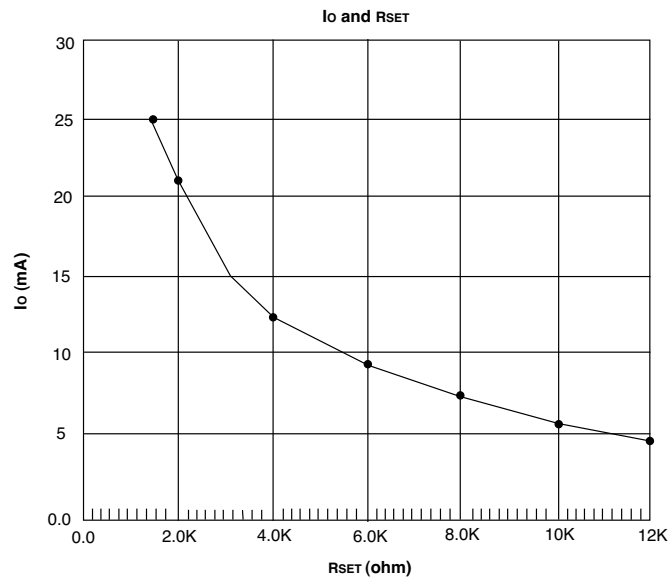
IMOD = 10mA; GND = 0V; VCC = +5V ±10%; TA = 0°C to + 85°C.

Symbol	Parameter	TA = 0°C			TA = +25°C			TA = +85°C			Unit	Conditions
		Min.	Typ.	Max.	Min.	Typ.	Max.	Min.	Typ.	Max.		
t _{pd} D	Propagation Delay D _{IN} - OUT	—	—	1000	—	500	1000	—	—	1000	ps	
t _{pd} EN	Propagation Delay /EN - OUT	—	—	1000	—	450	1000	—	—	1000	ps	
t _r t _f	Rise/Fall Time (20% to 80%)	—	—	160	—	110	160	—	—	160	ps	Load = 25Ω
I _{OR}	Output Current Ringing ⁽²⁾	—	—	10	—	—	10	—	—	10	%	

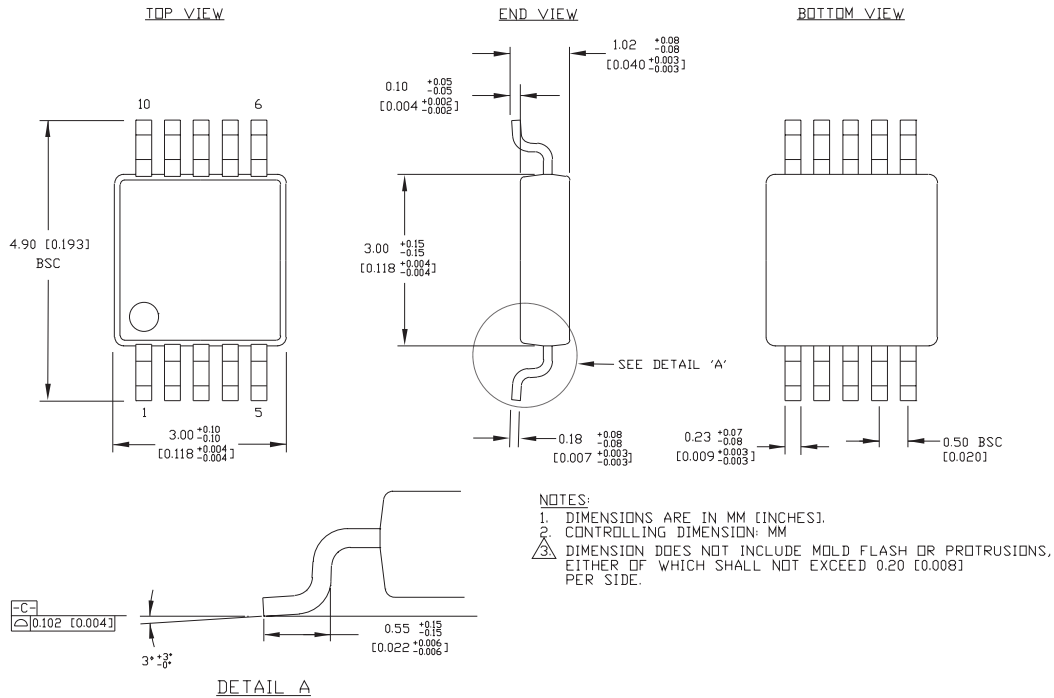
Notes:

1. R_{EXT} = R_{SER} = 25Ω ±1%, R_{SER} connects to V_{CC} directly without Laser Diode.
2. I_{OH} = 5 to 25mA

PERFORMANCE CURVES



10 LEAD MSOP (K10-1)



Rev. 00

MICREL, INC. 2180 FORTUNE DRIVE SAN JOSE, CA 95131 USA

TEL + 1 (408) 944-0800 FAX + 1 (408) 474-1000 WEB <http://www.micrel.com>

The information furnished by Micrel in this data sheet is believed to be accurate and reliable. However, no responsibility is assumed by Micrel for its use. Micrel reserves the right to change circuitry and specifications at any time without notification to the customer.

Micrel Products are not designed or authorized for use as components in life support appliances, devices or systems where malfunction of a product can reasonably be expected to result in personal injury. Life support devices or systems are devices or systems that (a) are intended for surgical implant into the body or (b) support or sustain life, and whose failure to perform can be reasonably expected to result in a significant injury to the user. A Purchaser's use or sale of Micrel Products for use in life support appliances, devices or systems is at Purchaser's own risk and Purchaser agrees to fully indemnify Micrel for any damages resulting from such use or sale.

© 2005 Micrel, Incorporated.