

CERAMIC SMD MICROPROCESSOR CRYSTAL

ABM2

RoHS/RoHS II Compliant

Pb in glass (exempt per RoHS II 2011/65/EU Annex (5))



8.0 x 4.5 x 1.4mm

Moisture Sensitivity Level (MSL) –This product is Hermetically Sealed and not Moisture Sensitive -MSL = N/A: Not Applicable

FEATURES:

- Low in height; suitable for thin equipment
- Glass sealed package assures high reliability and high temperature operation
- Tight tolerance and stability available
- Suitable for RoHS compliant reflow
- Low cost glass sealed crystal solution

APPLICATIONS:

- High density applications
- Modems, communication and test equipment
- PCMCIA, Wireless applications
- Microprocessor crystals

STANDARD SPECIFICATIONS:

Parameters	Minimum	Typical	Maximum	Units	Notes
Frequency Range	8.000	-----	100.000	MHz	Fundamental
Operation mode	8.000	-----	40.000		Fundamental AT-cut (Standard)
	40.001	-----	100.000		3 rd OT AT-cut (Standard)
	40.001	-----	60.000		Fundamental AT-cut (See options)
Operating Temperature	-10	-----	+60	°C	See options
Storage Temperature	-40	-----	+85	°C	
Frequency Tolerance @+25°C	-50	-----	+50	ppm	See options
Frequency Stability over the Operating Temperature (ref. to +25°C)	-50	-----	+50	ppm	See options
Equivalent series resistance	-----	-----	100	Ω	8.000 – 10.000MHz (Fundamental)
	-----	-----	60		10.001 – 15.999MHz (Fundamental)
	-----	-----	50		16.000 – 60.000MHz (Fundamental)
	-----	-----	70		40.000 – 100.000MHz (3 rd OT)
Shunt capacitance (C0)	-----	-----	7	pF	-----
Load capacitance (CL)	-----	18	-----	pF	See options
Drive Level	-----	10	100	μW	
Aging @ 25°C±3°C	-----	-----	±5	ppm	First year
Insulation Resistance	500	-----	-----	MΩ	@ 100Vdc



CERAMIC SMD MICROPROCESSOR CRYSTAL

ABM2

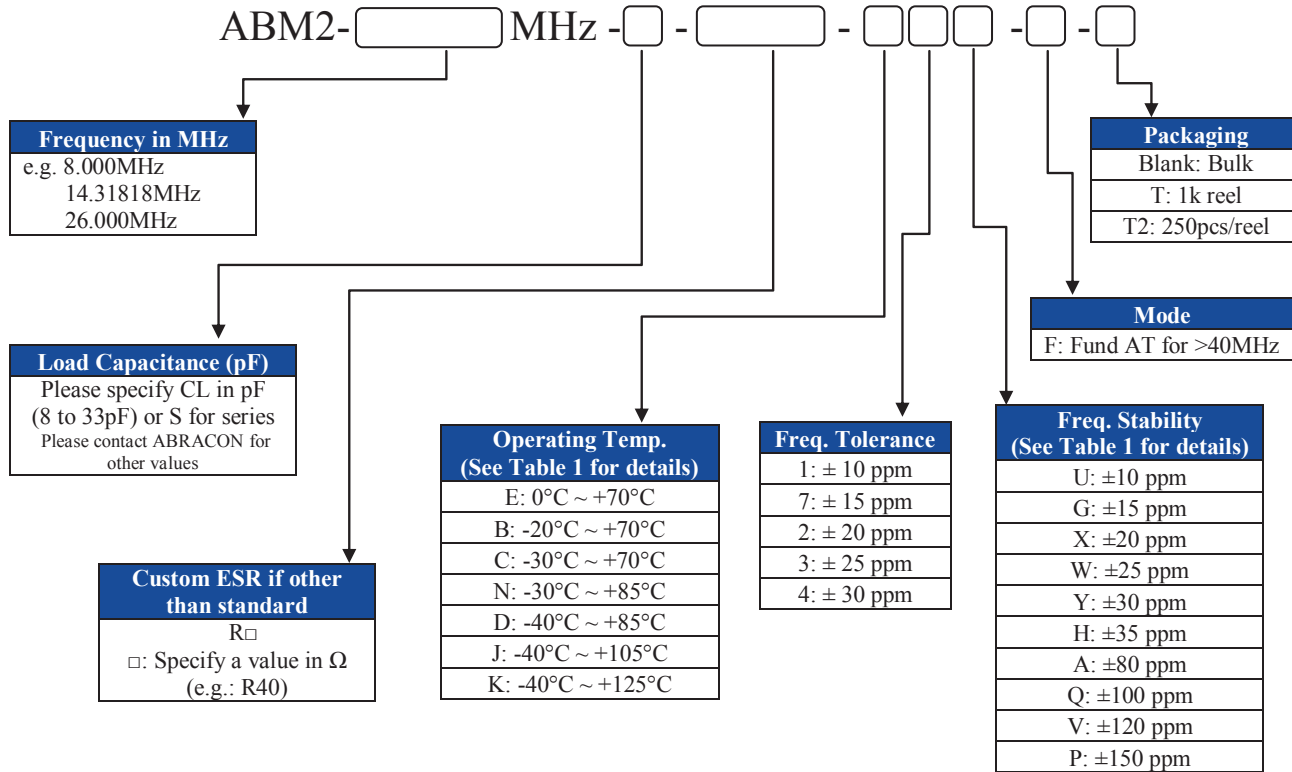
RoHS/RoHS II Compliant

Pb in glass (exempt per RoHS II 2011/65/EU Annex (5))



8.0 x 4.5 x 1.4mm

OPTIONS AND PART IDENTIFICATION: (Left blank if standard)



Note: See Table 1 for the availability of Operating Temp. and Freq. Stability combination

Table 1 Available Combinations of Operating Temp. and Freq. Stability

Operating Temp.	Freq. Stability					
	U:±10ppm	G:±15ppm	X:±20ppm	W:±25ppm	Y:±30ppm	H:±35ppm
Std: -10°C ~ +60°C	√	√	√	√	√	√
E: 0°C ~ +70°C		√	√	√	√	√
B: -20°C ~ +70°C		√	√	√	√	√
C: -30°C ~ +70°C				√	√	√
N: -30°C ~ +85°C					√	√
D: -40°C ~ +85°C					√*	√*
J: -40°C ~ +105°C						
K: -40°C ~ +125°C						

Operating Temp.	Freq. Stability				
	Std:±50ppm	A:±80ppm	Q:±100ppm	V:±120ppm	P:±150ppm
Std: -10°C ~ +60°C	√	√	√	√	√
E: 0°C ~ +70°C	√	√	√	√	√
B: -20°C ~ +70°C	√	√	√	√	√
C: -30°C ~ +70°C	√	√	√	√	√
N: -30°C ~ +85°C	√	√	√	√	√
D: -40°C ~ +85°C	√*	√	√	√	√
J: -40°C ~ +105°C			√	√	√
K: -40°C ~ +125°C			√	√	√

Note: *: Availability depends on frequency.

CERAMIC SMD MICROPROCESSOR CRYSTAL

ABM2

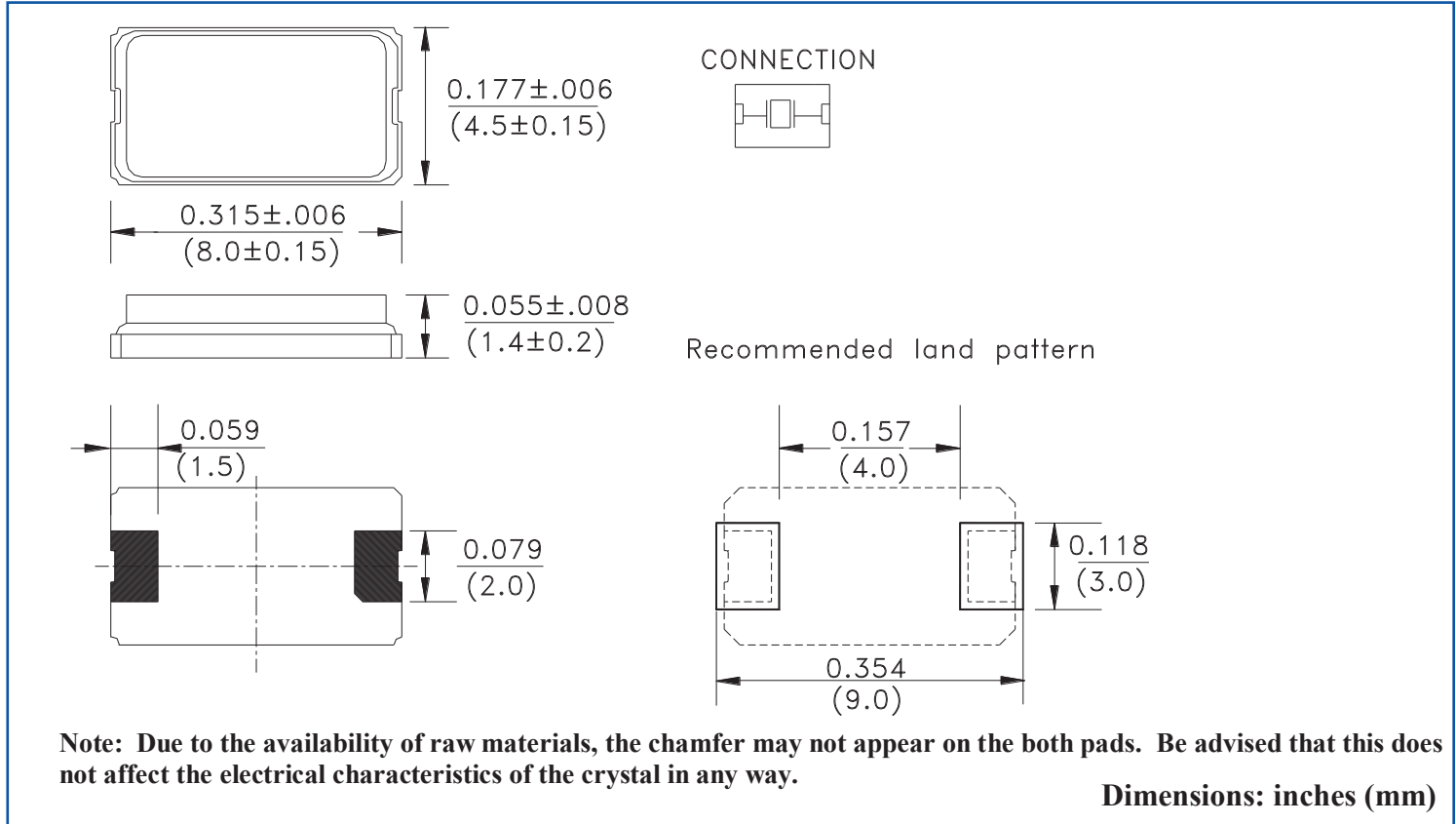
RoHS/RoHS II Compliant

Pb in glass (exempt per RoHS II 2011/65/EU Annex (5))

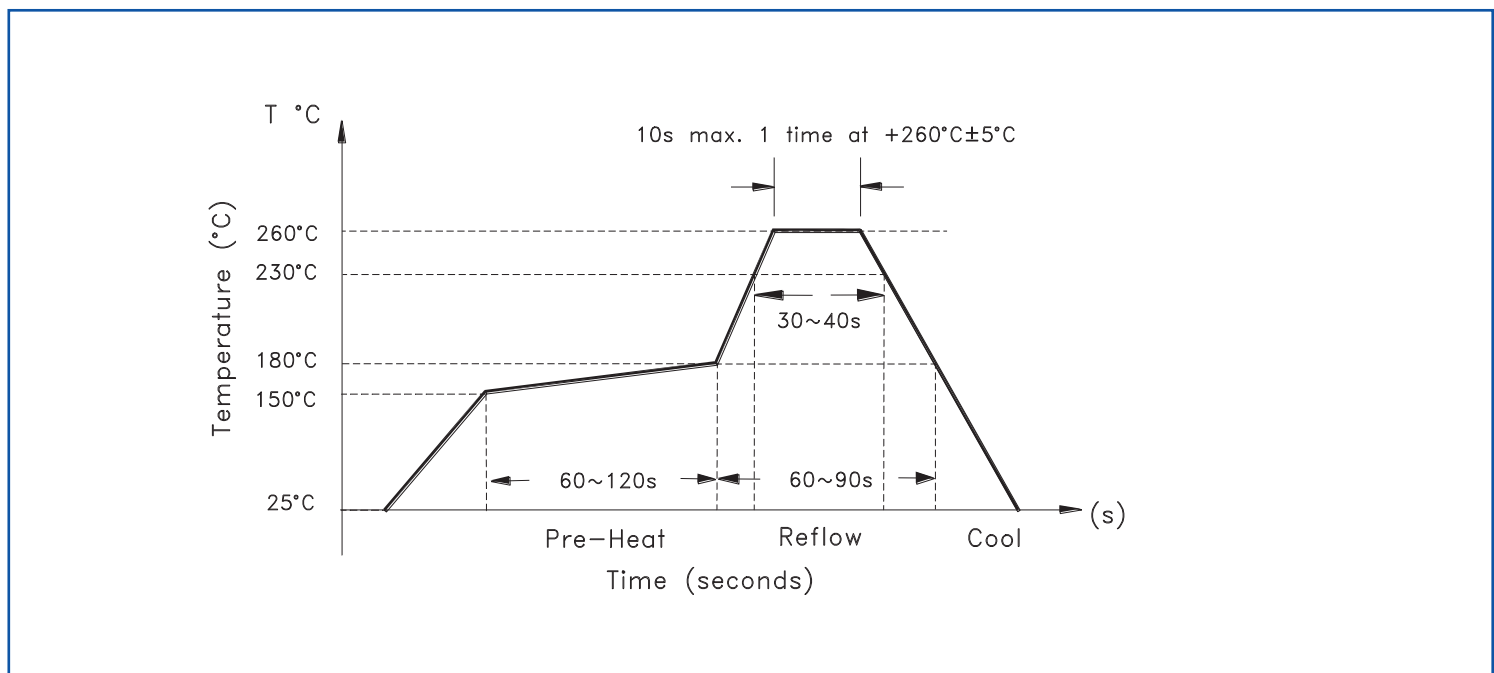


8.0 x 4.5 x 1.4mm

OUTLINE DIMENSION:



REFLOW PROFILE:



CERAMIC SMD MICROPROCESSOR CRYSTAL

ABM2

RoHS/RoHS II Compliant

Pb in glass (exempt per RoHS II 2011/65/EU Annex (5))

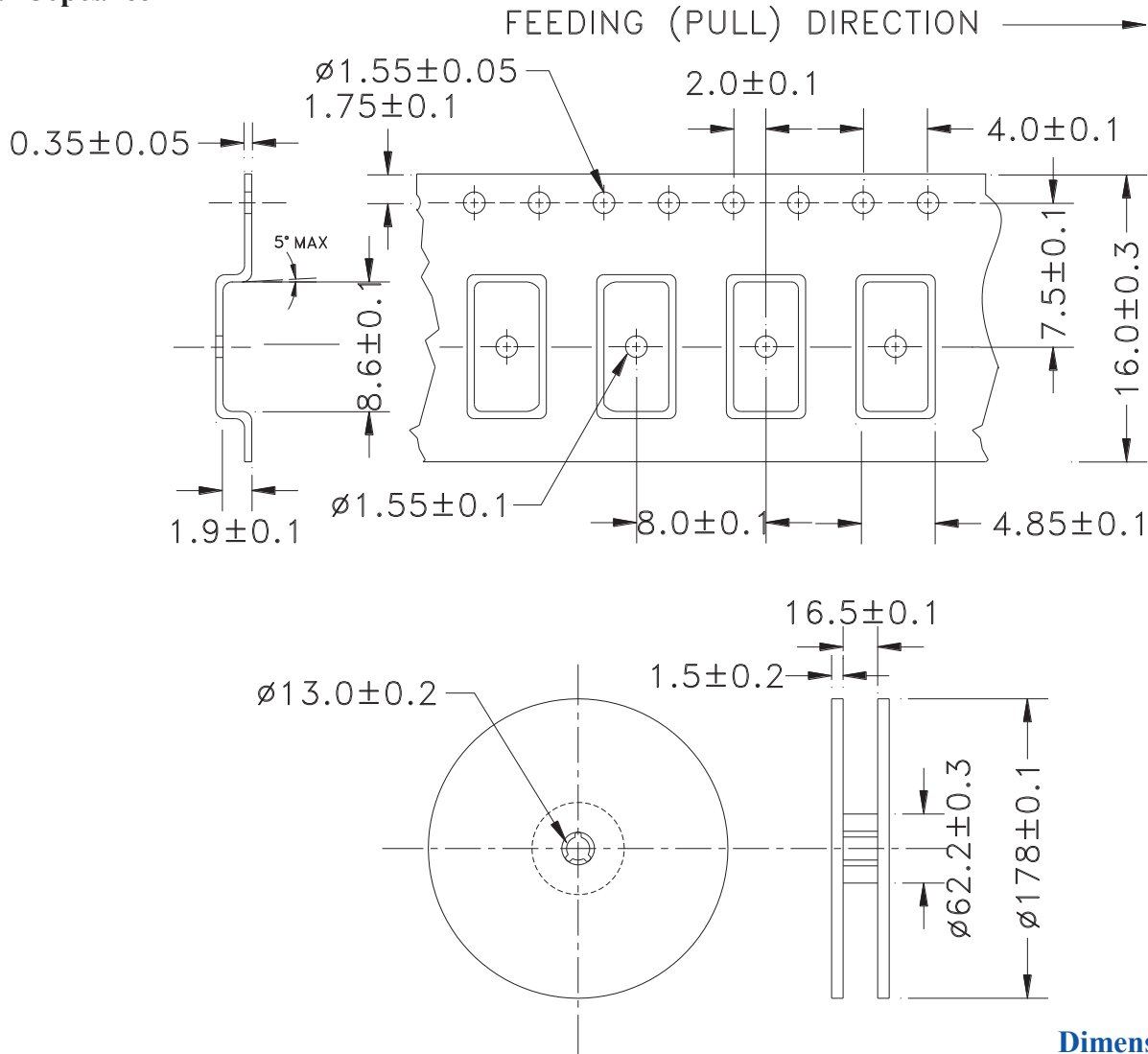


8.0 x 4.5 x 1.4mm

TAPE & REEL:

T: 1000pcs/reel

T2: 250pcs/reel



Dimensions: mm

ATTENTION: Abracon Corporation's products are COTS – Commercial-Off-The-Shelf products; suitable for Commercial, Industrial and, where designated, Automotive Applications. Abracon's products are not specifically designed for Military, Aviation, Aerospace, Life-dependant Medical applications or any application requiring high reliability where component failure could result in loss of life and/or property. For applications requiring high reliability and/or presenting an extreme operating environment, written consent and authorization from Abracon Corporation is required. Please contact Abracon Corporation for more information.

ABRACON IS
ISO9001:2008
CERTIFIED



Visit www.abracon.com for Terms & Conditions of Sale **Revised: 08.13.14**

30332 Esperanza, Rancho Santa Margarita, California 92688

tel 949-546-8000 | fax 949-546-8001 | www.abracon.com