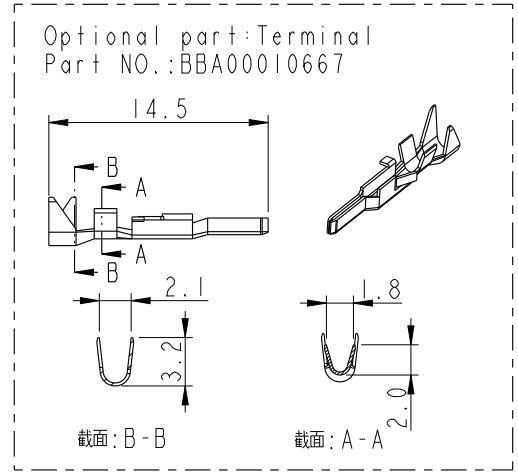
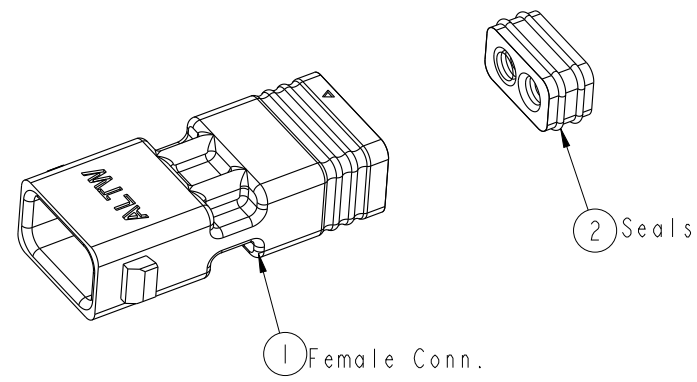
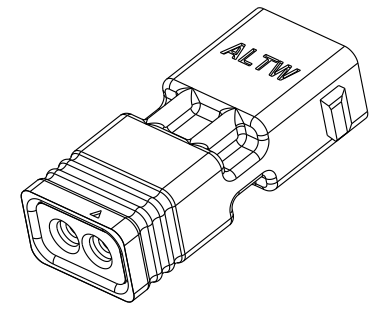
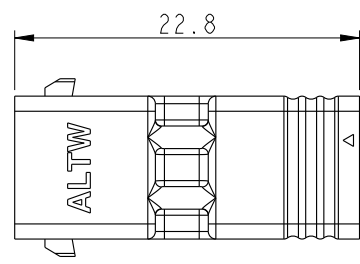
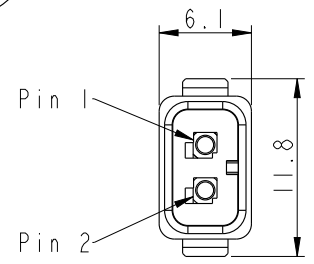
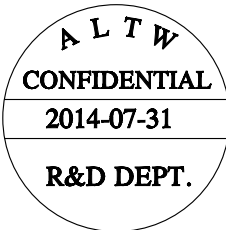


THIS DOCUMENT IS SUBJECT TO CHANGE WITHOUT NOTICE. IT IS CONFIDENTIAL AND A PROPERTY OF AMPHENOL LTW. DISCLOSURE TO THIRD PARTY HAS TO BE AUTHORIZED BY AMPHENOL LTW.

REV.	ECN NO.	DATE	SIGN	DESCRIPTION
A	Initial Release	2014/07/31	Cary	Change To Rev.A



- Notes:
- \* (CC) Important Dimension To Check.
  - \* Waterproof Rate: IP68(mating).  
IM Depth Of Water In 24 Hours.
  - \* Housing: Thermoplastic, UL94V-0, Natural White.
  - \* Gasket: Silicone, Gray.
  - \* Seals: Silicone, Gray.
  - \* Current Rating: 5A maximum.
  - \* 適用電子線20AWG~22AWG
  - \* Voltage Rating: 250V DC/AV maximum.
  - \* Operating Temperature: -40~+105℃

UNIT: mm

TOLERANCE  
±0.5mm

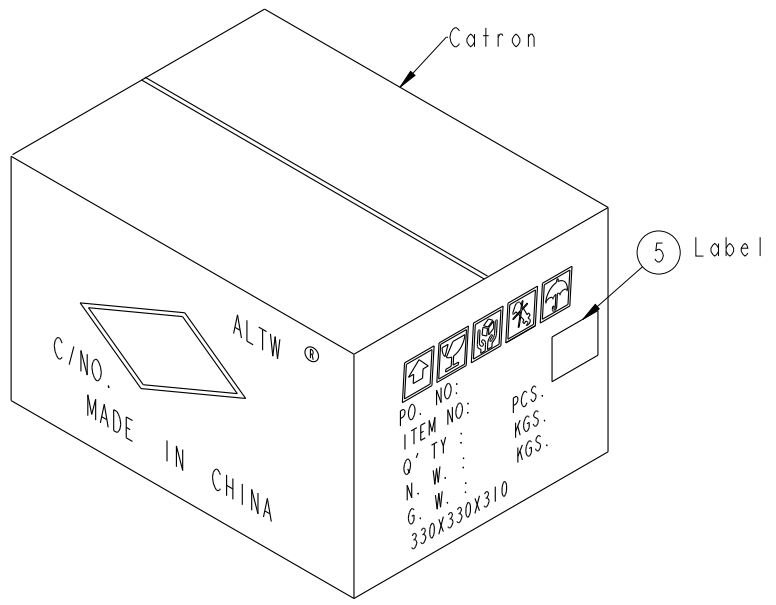
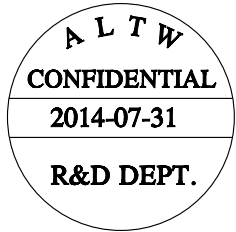
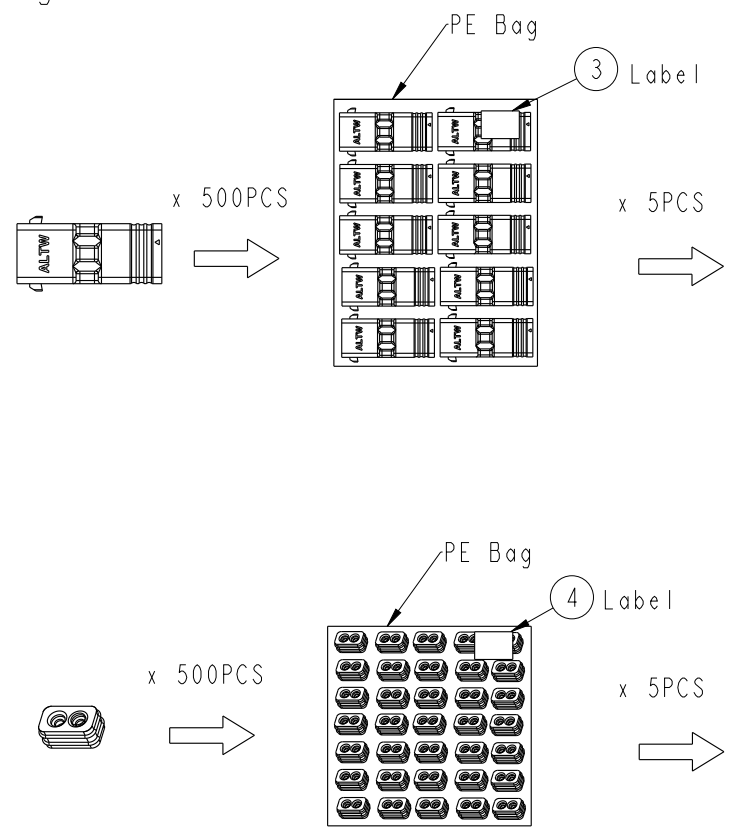
TITLE SSL1.2 2P F CONN. ASS'Y			
SCALE 2:1	SIZE A4	SHEET 1 OF 2	
REV. A	WC-REV. A.1	CC: Inspection item	

**Amphenol LTW**  
安費諾亮泰企業股份有限公司

ITEM NO. SSL12-J2FJ0-000001	DRAWN BY Cary_liu	DATE 2014-07-31
DWG NO. SSL12-J2FJ0-000001	CHECKED BY Fisher	DATE 2014-07-31
CUSTOMER ALTW	APPROVED BY Jerry	DATE 2014-07-31

THIS DOCUMENT IS SUBJECT TO CHANGE WITHOUT NOTICE. IT IS CONFIDENTIAL AND A PROPERTY OF Amphenol LTW. DISCLOSURE TO THIRD PARTY HAS TO BE AUTHORIZED BY Amphenol LTW.

Packing



- QUANTITY
1. 2500Set Per Carton
  2. Net Weight: 2.3Kg/Carton.
  3. Gross Weight: 3.0Kg/Carton.

UNIT:mm TOLERANCE ±0.5mm

TITLE SSL1.2 2P F CONN. ASS'Y			
SCALE 2:1	SIZE A4	SHEET 2 OF 2	
REV. A	WC-REV. A.1	☉: Inspection item	

**Amphenol LTW**  
安費諾亮泰企業股份有限公司

ITEM NO SSL12-J2FJ0-000001	DRAWN BY Cary_liu	DATE 2014-07-31
DWG NO SSL12-J2FJ0-000001	CHECKED BY Fisher	DATE 2014-07-31
CUSTOMER ALTW	APPROVED BY Jerry	DATE 2014-07-31