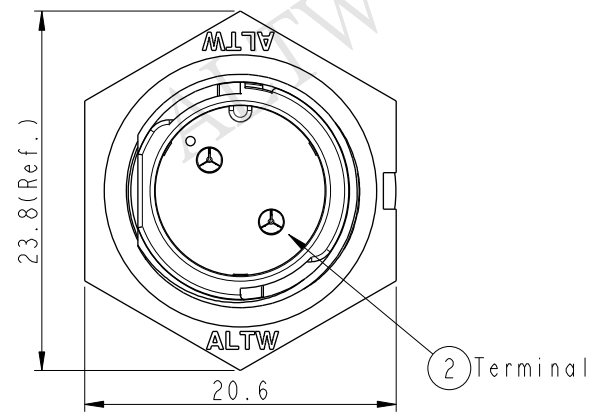
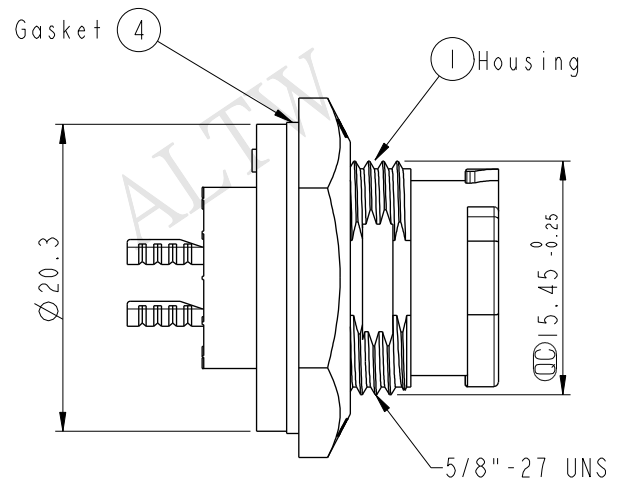
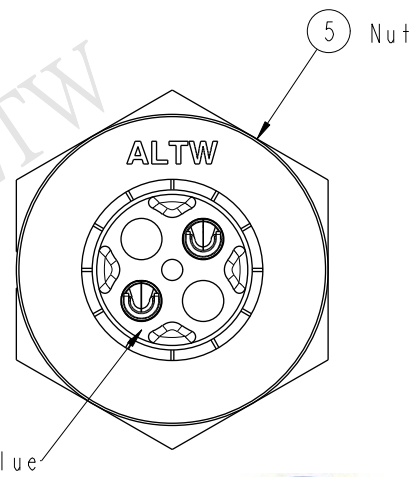
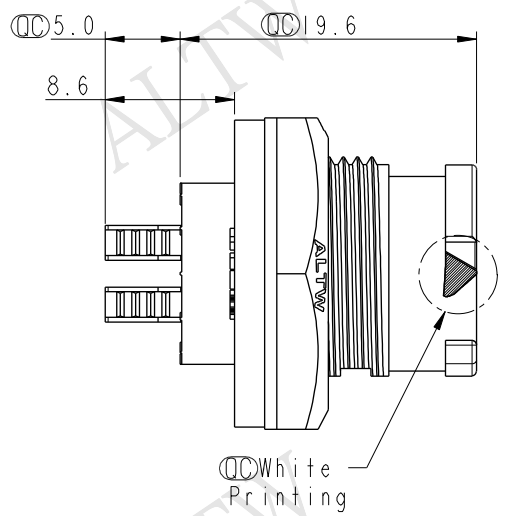


REV.	ECN NO.	DATE	SIGN	DESCRIPTION

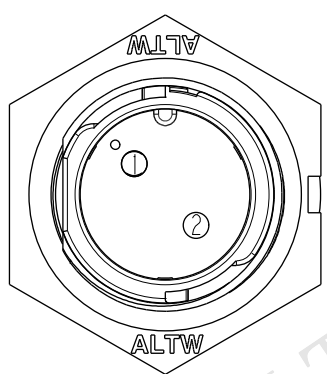
ALTW
CONFIDENTIAL
2014-09-12
R&D DEPT.



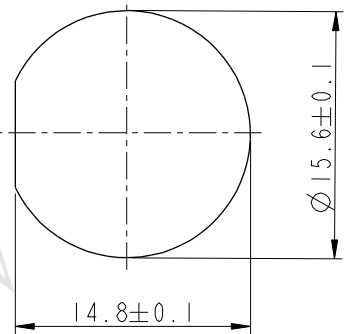
ALTW
DCC. DEPT.
CONFIDENTIAL
2014.11.26
ISSUED



- Note:
- * \varnothing Important Dimension To Check.
 - * Waterproof Rate: IP68
 - * Working Voltage Rating: AC 300 V
 - * Working Current Rating: 10A
 - * Flame Class: UL94V-0 (UV Resistance)
 - * Housing: Nylon+GF, Black
 - * Male Pin: Copper Alloy, Gold Plated
 - * Nut: Nylon+GF, Black
 - * Gasket: Silicone, Gary
 - * Use Without Waterproof Cap
Panel Thickness Max: 4.0mm
 - * Use With Waterproof Cap
Panel Thickness Max: 3.0mm



Pin Assignments
Front View



Recommended Panel Cut-out

UNIT:mm		
TOLERANCE X ±0.25		

TITLE X Lok B-Size Receptacle Front Fastened M Conn M 2 Pin			
SCALE 2:1	SIZE A4	SHEET 1 OF 1	
REV. A	WC-REV. A.2	\varnothing : Inspection item	

Amphenol LTW
安費諾亮泰企業股份有限公司

ITEM NO BB-02PMMS-OC8001	DRAWN BY Micky	DATE 2014-09-12
DWG NO BB-02PMMS-OC8001	CHECKED BY Spring	DATE 2014-09-12
CUSTOMER ALTW	APPROVED BY Kevin	DATE 2014-09-12

THIS DOCUMENT IS SUBJECT TO CHANGE WITHOUT NOTICE. IT IS CONFIDENTIAL AND A PROPERTY OF AMPHENOL LTW. DISCLOSURE TO THIRD PARTY HAS TO BE AUTHORIZED BY AMPHENOL LTW.