

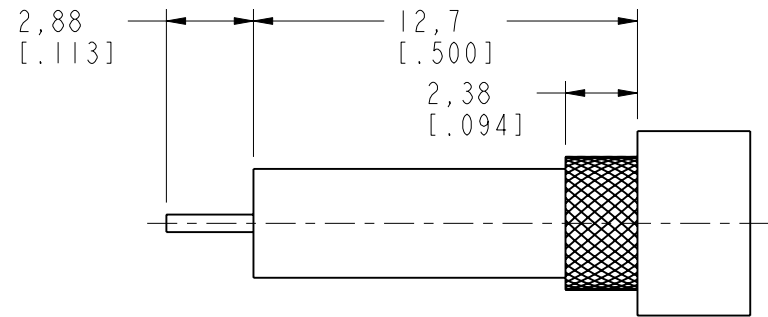
NOTES:

1. MATERIALS AND FINISHES:
 BODY - BRASS, NICKEL PLATING
 CONTACT - BeCu, SILVER PLATING
 INSULATOR - PTFE
2. ELECTRICAL:
 A. IMPEDANCE: NON-CONSTANT
 B. FREQUENCY RANGE: DC-50 GHz
 C. VOLTAGE RATING: 5,000 VOLTS PEAK
3. MECHANICAL:
 A. TEMPERATURE RANGE: -65° C TO +165° C

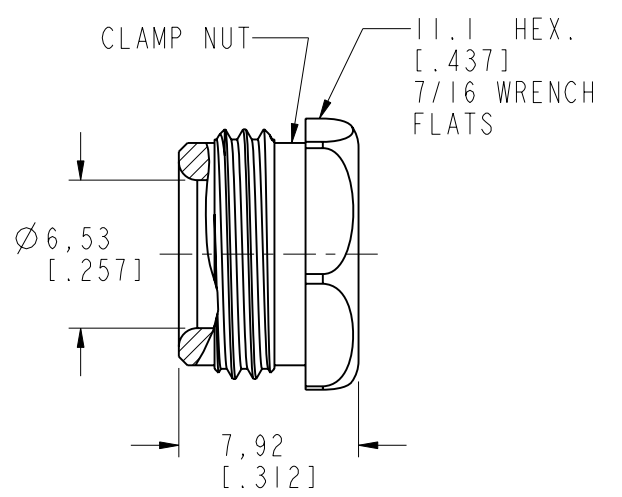
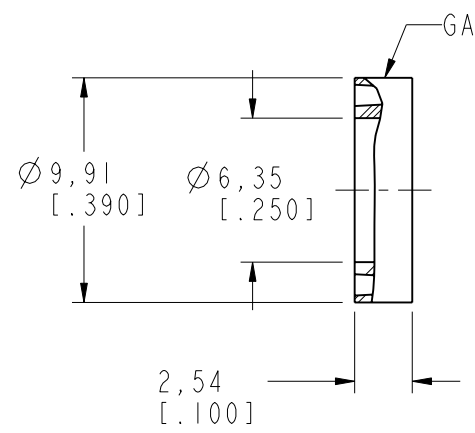
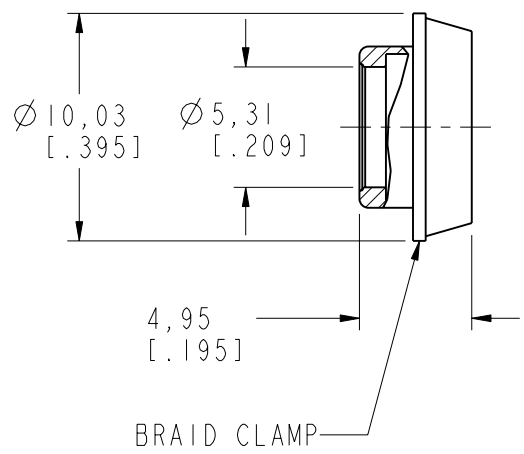
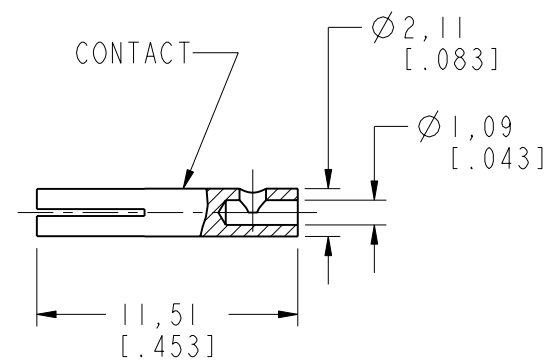
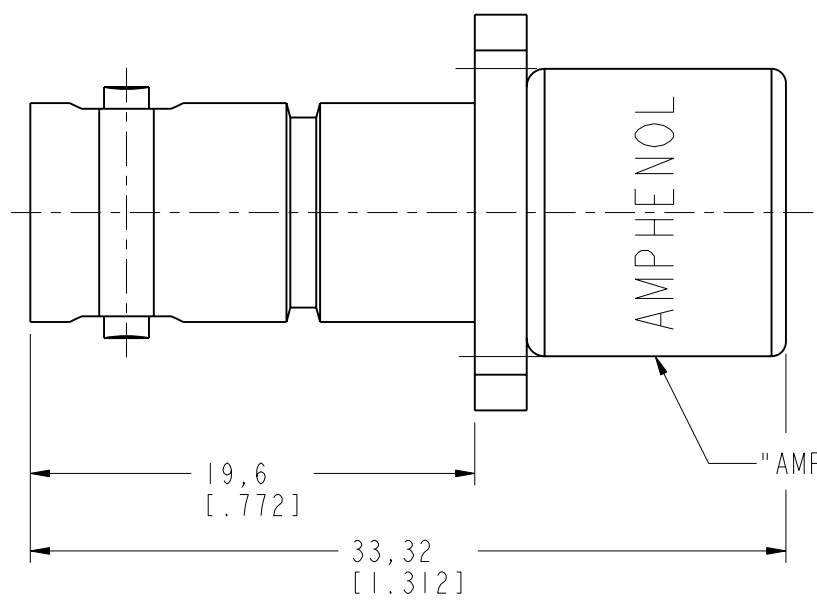
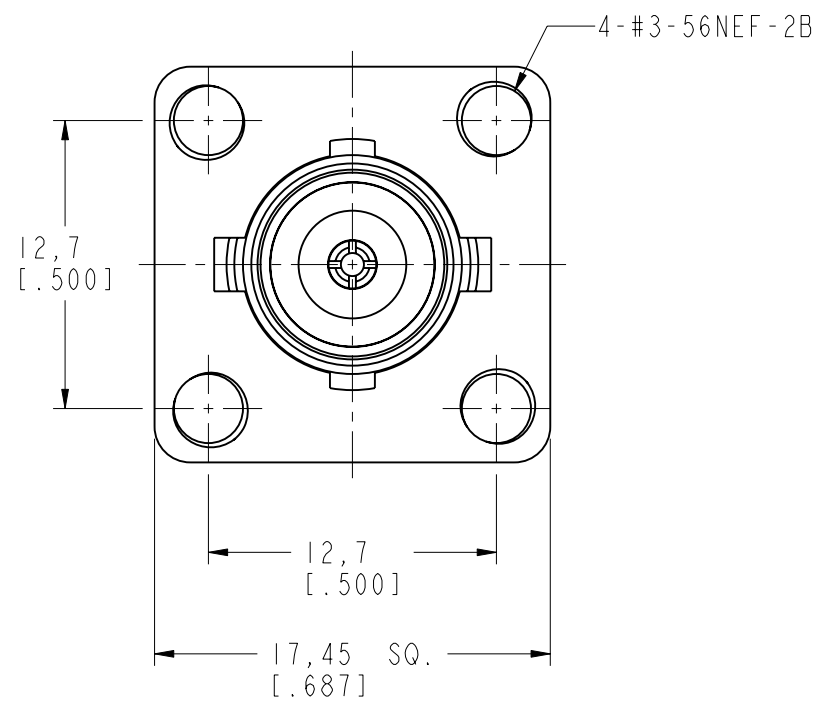
THIRD ANGLE PROJ.

REVISIONS

REV	DESCRIPTION	DATE	ECO	APPR
J	STAMP "AMPHENOL" WAS "74868" \RD-DM12092001R3	23-Oct-12	49076	DH



RECOMMENDED
CABLE STRIPPING DIM'S
SCALE 4.000



CUSTOMER OUTLINE DRAWING
ALL OTHER SHEETS ARE FOR INTERNAL USE ONLY

UNLESS OTHERWISE SPECIFIED, DIMENSIONS ARE IN METRIC AND TOLERANCES ARE: <0.5mm ±0.05mm 0.5 - 6mm ±0.1mm 6 - 30mm ±0.2mm 30 - 120mm ±0.3mm ANGLES ±1°	MATERIAL	DRAWN R. MAO	DATE 13-Jun-12	TITLE MHV PANEL JACK FOR RG-59/U RG-62/U CABLE	Amphenol RF www.amphenolrf.com
	REFERENCE	ENGINEER S. LI	DATE 13-Jun-12		
NOTICE - These drawings, specifications, or other data (1) are, and remain the property of Amphenol corp. (2) must be returned upon request; and (3) are confidential and not to be disclosed to any person other than those to whom they are given by Amphenol Corp. the furnishing of these drawings, specifications, or other data by Amphenol Corp., or to any other person to anyone for any purpose is not to be regarded by implication or otherwise in any manner licensing, granting rights to permitting such holder or any other person to manufacture, use or sell any product, process or design, patented or otherwise, that may in any way be related to or disclosed by said drawings, specifications, or other data.	CONFIGURATION LEVEL: <input type="checkbox"/> <input type="checkbox"/> <input type="checkbox"/> <input type="checkbox"/>	APPROVED S. HSIEH	DATE 13-Jun-12	SCALE: 3.0:1.0	SHEET 2 OF 2
	FINISH	CAD FILE	DWG SIZE B	REV J	DRAWING NO. 28175
				PART NO. 28175	