

FEATURES

- Wide input range: 0 V to 1 V up to 0 V to 10 V**
- High CMV isolation: 1500 V rms**
- Programmable output ranges: 4mA to 20mA
0 to 20 mA**
- Load resistance range: 0 to 1.35 kΩ maximum**
- High accuracy**
 - Low offset tempco: ± 300 nA/°C**
 - Low gain tempco: ± 50 ppm/°C**
 - Low nonlinearity: $\pm 0.02\%$**
 - High CMR: 90 dB minimum**
- Small package: 0.7" × 2.1" × 0.35"**
- Meets IEEE Standard 472: transient protection (SWC)**

APPLICATIONS

- Multichannel process control**
- DAC—current loop interface**
- Analog transmitters and controllers**
- Remote data acquisition systems**

GENERAL DESCRIPTION

The 1B21 is an isolated voltage-to-current converter that incorporates a unique circuit design utilizing transformer-based isolation and automated surface-mount manufacturing technology. It provides an unbeatable combination of versatility and performance in a compact plastic package. Designed for industrial applications, it is especially suited for harsh environments with extremely high common-mode interference.

Functionally, the V/I converter consists of four basic sections: input conditioning, modulator, demodulator and current source (see Figure 1). The input is a resistor-programmable gain stage that accepts a 0 V to 1 V up to 0 V to 10 V voltage input. This maps into a 0 mA to 20 mA output or can be offset by 20% using the internal reference for 4 mA to 20 mA operation. The high level signal is modulated and passed across the barrier which provides complete input to output galvanic isolation of 1500 V rms continuous by the use of transformer-coupling techniques. Nonlinearity is an excellent $\pm 0.05\%$ maximum.

Designed for multichannel applications, the 1B21 requires an external loop supply and can accept up to 30 V maximum. This

FUNCTIONAL BLOCK DIAGRAM

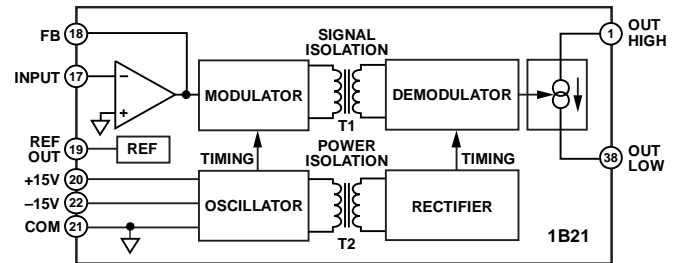


Figure 1.

08530-001

provides a loop supply compliance of 27V, which is sufficient to drive a 1.35 kΩ load resistance.

The 1B21 is fully specified over -25°C to $+85^{\circ}\text{C}$ and operates over the industrial (-40°C to $+85^{\circ}\text{C}$) temperature range.

DESIGN FEATURES AND USER BENEFITS

High CMV Isolation. The 1B21 features high input to output galvanic isolation to eliminate ground loops and offer protection against damage from transients and fault voltages. The isolation barrier will withstand continuous CMV of 1500V rms and meets the IEEE Standard for Transient Voltage Protection (Std. 472-SWC).

Small Size. The 1B21 package size (0.7" × 2.1" DIP) makes it an excellent choice in multichannel systems for maximum channel density. The 0.35" height also facilitates applications with limited board clearance.

Ease of Use. Complete isolated voltage-to-current conversion with minimum external parts required to get a conditioned current signal. No external buffers or drivers are required.

Rev. C

Information furnished by Analog Devices is believed to be accurate and reliable. However, no responsibility is assumed by Analog Devices for its use, nor for any infringements of patents or other rights of third parties that may result from its use. Specifications subject to change without notice. No license is granted by implication or otherwise under any patent or patent rights of Analog Devices. Trademarks and registered trademarks are the property of their respective owners.

1B21* PRODUCT PAGE QUICK LINKS

Last Content Update: 02/23/2017

COMPARABLE PARTS

View a parametric search of comparable parts.

DOCUMENTATION

Data Sheet

- 1B21: Isolated, Loop-Powered Voltage-to-Current Converter Scanned Data Sheet

DESIGN RESOURCES

- 1B21 Material Declaration
- PCN-PDN Information
- Quality And Reliability
- Symbols and Footprints

DISCUSSIONS

View all 1B21 EngineerZone Discussions.

SAMPLE AND BUY

Visit the product page to see pricing options.

TECHNICAL SUPPORT

Submit a technical question or find your regional support number.

DOCUMENT FEEDBACK

Submit feedback for this data sheet.

TABLE OF CONTENTS

Features	1	Inside the 1B21	5
Applications.....	1	Using the 1B21.....	5
Functional Block Diagram	1	Applications Information	7
General Description	1	Output Protection	7
Design Features and User Benefits.....	1	Low Drift Input Network	7
Revision History	2	Multiloop Isoaltion	7
Specifications.....	3	Outline Dimensions	8
Pin Configuration.....	4	Ordering Guide	8

REVISION HISTORY

12/09—Rev. B to Rev. C

Updated Format.....	Universal
Changes to Figure 1.....	1
Changes to Table 1.....	3
Changes to Inside the 1B21 Section, Figure 4, Using the 1B21 Section, and Table 2.....	5
Changes to TC Considerations of External Resistors Section....	6
Changes to Figure 8.....	7
Added Ordering Guide Section.....	8

6/91—Rev. A to Rev. B

SPECIFICATIONS

Typical at +25°C and $V_s = \pm 15$ V, unless otherwise noted.

Table 1.

Parameter	Specification
INPUT SPECIFICATIONS	
Input Range	0 V to +10 V
Full-Scale Input	+1 V min to +10 V max
Input Bias Current	± 30 pA (± 400 pA max)
OUTPUT SPECIFICATIONS	
Current Output Range	4 mA to 20 mA, 0 mA to 20 mA
Load Compliance at $V_{LOOP} = 30$ V	27 V min
Max Output Current @ Input Overload	25 mA
Output Noise, 100 Hz Bandwidth	1 μ A p-p
NONLINEARITY (% of Span)	$\pm 0.02\%$ ($\pm 0.05\%$ max)
ISOLATION	
CMV, Input to Output Continuous	1500 V rms
CMR @ 60 Hz	90 dB min
Transient Protection	IEEE-STD 472 (SWC)
ACCURACY	
Warm-Up Time to Rated Performance	5 min
Total Output Error @ +25°C (Untrimmed)	
Offset ($V_{IN} = 0$ V) ¹	± 100 μ A
Span ($V_{IN} = +10$ V)	$\pm 0.6\%$ FSR
vs. Temperature (–25°C to +85°C)	
Offset ²	± 300 nA/°C
Span	± 50 ppm/°C
REFERENCE OUTPUT	
Voltage	+6.225 V dc
Output Error	$\pm 1.0\%$ max
Temperature Coefficient	± 15 ppm/°C typ
DYNAMIC RESPONSE	
Settling Time to 0.1% of FS for 10 V Step	9 ms
Small Signal Bandwidth	100 Hz
POWER SUPPLY	
Input Side	
Operating Voltage	± 15 V $\pm 5\%$
Quiescent Current	
+15 V Supply	10 mA
–15 V Supply	5 mA
Power Supply Rejection	$\pm 0.01\%$ V
Loop Side	
Operating Voltage	+15 V to +30 V
Maximum Current	25 mA
ENVIRONMENTAL	
Temperature Range	
Rated Performance	–25°C to +85°C
Operating	–40°C to +85°C
Storage	–40°C to +85°C
Relative Humidity, Noncondensing	0 to 95% @ +60°C
CASE SIZE	
	0.7" \times 2.1" \times 0.35" (17.8 \times 53.3 \times 8.9) mm

¹ For 0 mA to 20 mA mode. For 4 mA to 20 mA mode, an additional 60 μ A is contributed by the $\pm 1.0\%$ reference error on the 4 mA output.

² For a complete discussion of the temperature effects of the offset resistor and reference, refer to the Using the 1B21 section.

INSIDE THE 1B21

Referring to the functional block diagram (see Figure 3), the ± 15 V power inputs provide power to both the input side circuitry and the power oscillator. The 25 kHz power oscillator provides both the timing information for the signal modulator and drives transformer T2 for the output side power supplies. The secondary winding of T2 is full wave rectified and filtered to create the output side power.

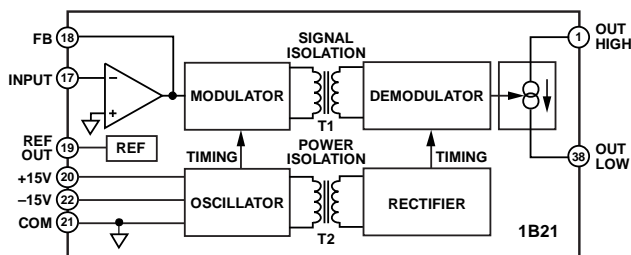


Figure 3. 1B21 Functional Block Diagram

The input stage is configured as an inverting amplifier with three user-supplied resistors for gain, offset, and feedback. The conditioned signal is modulated to generate a square wave with a peak-to-peak amplitude proportional to V_{IN} . The signal drives the signal transformer T1. An internal reference with a nominal output voltage of +6.225 V and tempco of ± 15 ppm/ $^{\circ}$ C is provided to develop a 4 mA offset for 4 mA to 20 mA current loop applications.

After passing through signal transformer T1, the amplitude modulated signal is demodulated and filtered by a single pole filter. Timing information for the output side is derived from the power transformer T2. The filtered output provides the control signal for the voltage-to-current converter stage. An external power supply is required in series with the load to complete the current loop.

USING THE 1B21

Input Configurations

The 1B21 has been designed with a flexible input stage for a variety of input and output ranges. The basic interconnection for setting gain and offset is shown in Figure 4. The output of the internal amplifier is constrained to 0 to -5 V, which maps into 0 to 20 mA across the isolation barrier. Thus to create a 4 mA offset at the output, the input amplifier has to be offset by 1 V.

For example, for 0 to 20 mA operation, the transfer function for the input stage is

$$5/V_{IN} = R_F/R_I$$

and no offset resistor is needed. For 4 mA to 20 mA operation one gets

$$4/V_{IN} = R_F/R_I$$

This maps the input voltage into a 4 V span. To create a 1 V offset at the output of the internal amplifier (4 mA at the output of the 1B21) a current derived from the reference can be fed into the summing node. The offset resistor (for a 1 V output offset) is given by the equation: $R_O = 6.225 R_F$. For most applications, it is recommended that R_F be in the 25 k Ω $\pm 20\%$ range. Resistor values for typical input and output ranges are shown in Table 2.

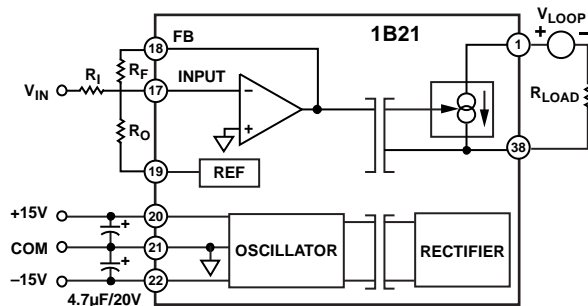


Figure 4. Basic Interconnections

Table 2. Resistor Values for Typical Ranges

Input Volts	Output mA	R _I k Ω	R _F k Ω	R _O k Ω
0 to 5	0-20	25	25	Open
0 to 10	0-20	50	25	Open
0 to 5	4-20	25	20	124.3
0 to 10	4-20	50	20	124.3
1 to 5	4-20	25	25	Open

Adjustments

Figure 5 is an example of using potentiometers for trimming gain and offset for a 0 V to 5 V input and 0 V to 20 mA output. The network for offset adjustment keeps the resistors relatively small to minimize noise effects while giving a sensitivity of $\pm 1\%$ of span. For more adjustment range, resistors smaller than 274 k can be used. Resistor values from Table 2 can be substituted for other input and output ranges.

In general, any bipolar voltage can be input to the 1B21 as long as it is offset to meet the 0 V to -5 V constraint of the modulator and the input signal range is 1 V minimum.

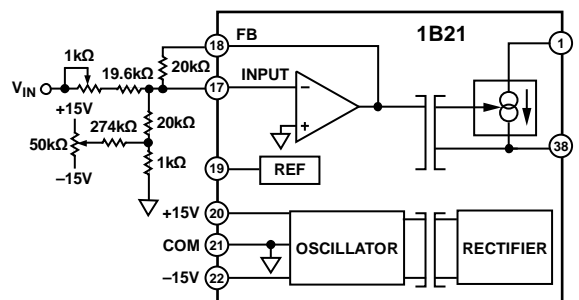


Figure 5. Offset and Span Adjustment

1B21

TC Considerations of External Resistors

The specifications for gain and offset temperature coefficient (TC) for the 1B21 excluded the effects of external components. The total gain TC for the circuit in Figure 4 is

$$\text{Gain TC} = 1B21 \text{ Gain TC} + (\text{Tracking TC of } R_F \text{ and } R_i)$$

The offset TC is also affected by the thermal stability of the internal voltage reference and its contribution is

$$\text{Ref TC} = (V_{REF})(R_F/R_O)(4 \text{ mA/V})(\text{TC of } V_{REF} + \text{Tracking TC of } R_F \text{ and } R_O)/1 \times 10^6$$

$$\text{Total Offset TC} = 1B21 \text{ Offset TC} + \text{Ref TC}$$

Specifically using R_F , R_i and R_O from Case 3 in Table 2, with absolute TCs of $\pm 25 \text{ ppm}/^\circ\text{C}$

$$\text{Gain TC} = 50 + (25 + 25) = 100 \text{ ppm}/^\circ\text{C}$$

$$\text{Offset TC} = 300 + (6.225 \text{ V})(20\text{k}/124.3 \text{ k})(4 \text{ mA/V}) \\ (20 + 25 + 25)/1 \times 10^6 = \pm 580 \text{ nA}/^\circ\text{C}$$

Similarly, when using a resistor network with a tracking spec of $\pm 5 \text{ ppm}/^\circ\text{C}$, the total gain TC is $\pm 55 \text{ ppm}/^\circ\text{C}$ and the total offset TC is $\pm 400 \text{ nA}/^\circ\text{C}$.

APPLICATIONS INFORMATION

OUTPUT PROTECTION

In many industrial applications, it may be necessary to protect the current output from accidental shorts to ac line voltages in addition to high common-mode voltages and short circuits to ground. The circuit show in Figure 6 can be used for this purpose. The maximum permissible load resistance will be lowered by the fuse resistance (typically 8 Ω) when protection circuitry is utilized.

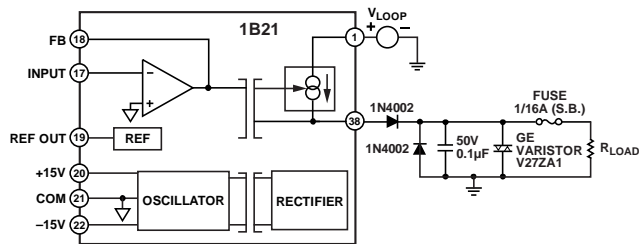
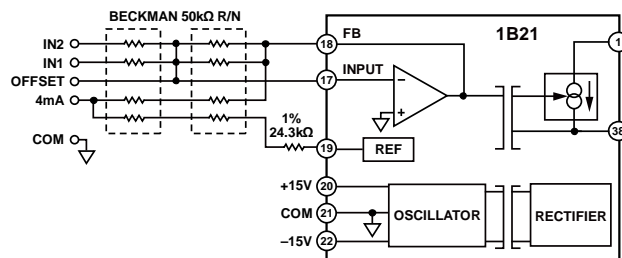


Figure 6. Output Protection Circuitry

LOW DRIFT INPUT NETWORK

Figure 7 shows a configuration suitable for applications where errors have to be minimized over a wide temperature range. A temperature tracking network such as a 50 k Beckman (PN 698-3R50KD) can be used to implement both offset and gain for either 0 mA to 20 mA or 4 mA to 20 mA current loops. For 0 V to 10 V signals either IN1 or IN2 can be used for input. For 0 V to 5 V signals, jumper In1 to In2. Similarly, for 4 mA to 20 mA operation the 4 mA node should be jumpered to OFFSET, while for 0 mA to 20 mA it should be tied to COM.



NOTES
1. NODES LABELLED FOR ILLUSTRATION ONLY.

Figure 7. Low Tempco Resistor Network Configuration

MULTILOOP ISOALTION

Multiple 1B21s can be connected to a single loop supply in parallel as show in Figure 8. The amperage of the loop supply should be sufficient to drive all the loops at full-scale output.

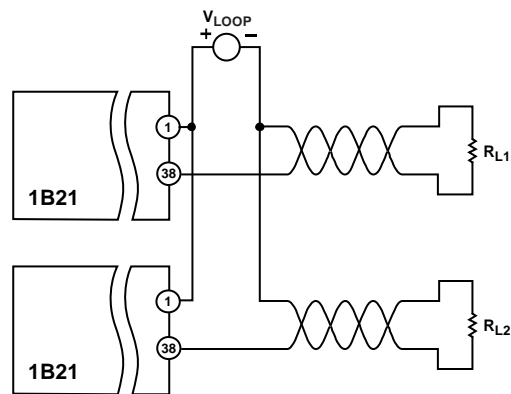
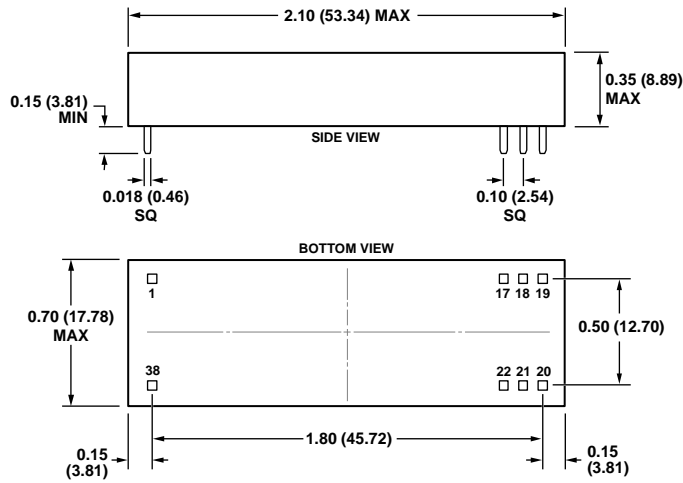


Figure 8. Multiple 1B21s with Single Loop Supply

1B21

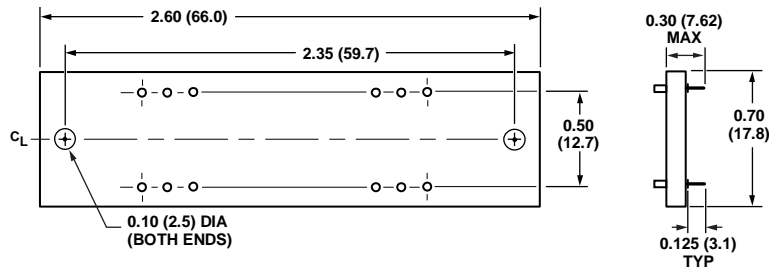
OUTLINE DIMENSIONS



CONTROLLING DIMENSIONS ARE IN INCHES; MILLIMETER DIMENSIONS (IN PARENTHESES) ARE ROUNDED-OFF INCH EQUIVALENTS FOR REFERENCE ONLY AND ARE NOT APPROPRIATE FOR USE IN DESIGN.

Figure 9. 1B21 DIP Package
(1B21-N-08)
[8-Lead Count with 38-Lead Spacing]
Dimensions shown in inches and (millimeters)

101909-A



CONTROLLING DIMENSIONS ARE IN INCHES; MILLIMETER DIMENSIONS (IN PARENTHESES) ARE ROUNDED-OFF INCH EQUIVALENTS FOR REFERENCE ONLY AND ARE NOT APPROPRIATE FOR USE IN DESIGN.

Figure 10. AC1060 Mating Socket
Dimensions shown in inches and (millimeters)

022008-A

ORDERING GUIDE

Model	Temperature Range	Package Description	Package Option
1B21AN	-25°C to +85°C	8-Lead Nonstandard 1B21 DIP	1B21-N-08