

## FEATURES

RS-485/RS-422 full-duplex transceiver for high speed motor control applications

16 Mbps data rate

±8 kV ESD protection on RS-485 input/output pins

Complies with ANSI/TIA/EIA-485-A-1998

Open circuit fail-safe

Suitable for 5 V power supply applications

32 nodes on the bus (1 unit load)

Thermal shutdown protection

Operating temperature range: -40°C to +85°C

ADM1490E packages

Narrow body, 8-lead SOIC

8-lead MSOP

ADM1491E packages

Narrow-body, 14-lead SOIC

10-lead MSOP

## APPLICATIONS

RS-485/RS-422 interfaces

Industrial field networks

High data rate motor control

Multipoint data transmission systems

Single-ended-to-differential signal conversion

## GENERAL DESCRIPTION

The ADM1490E/ADM1491E are RS-485/RS-422 transceivers with ±8 kV ESD protection and are suitable for high speed, full-duplex communication on multipoint transmission lines. In particular, the ADM1490E/ADM1491E are designed for use in motor control applications requiring communications at data rates up to 16 Mbps.

The ADM1490E/ADM1491E are designed for balanced transmission lines and comply with TIA/EIA-485-A-98. The devices each have a 12 kΩ receiver input impedance for unit load RS-485 operation, allowing up to 32 nodes on the bus.

The differential transmitter outputs and receiver inputs feature electrostatic discharge circuitry that provides protection to ±8 kV using the human body model (HBM).

The ADM1490E/ADM1491E operate from a single 5 V power supply. Excessive power dissipation caused by bus contention or output shorting is prevented by short-circuit protection and thermal circuitry. Short-circuit protection circuits limit the

### Rev. D

Information furnished by Analog Devices is believed to be accurate and reliable. However, no responsibility is assumed by Analog Devices for its use, nor for any infringements of patents or other rights of third parties that may result from its use. Specifications subject to change without notice. No license is granted by implication or otherwise under any patent or patent rights of Analog Devices. Trademarks and registered trademarks are the property of their respective owners.

## FUNCTIONAL BLOCK DIAGRAMS

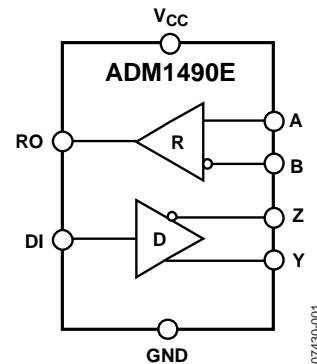


Figure 1.

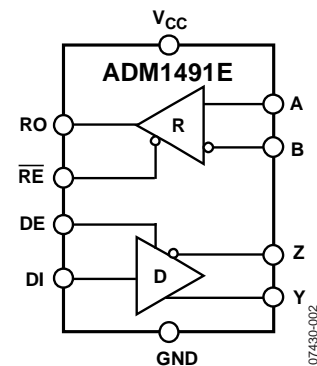


Figure 2.

maximum output current to ±250 mA during fault conditions. A thermal shutdown circuit senses if the die temperature rises above 150°C and forces the driver outputs into a high impedance state under this condition.

The receiver of the ADM1490E/ADM1491E contains a fail-safe feature that results in a logic high output state if the inputs are unconnected (floating).

The ADM1490E/ADM1491E feature extremely fast and closely matched switching times. Minimal driver propagation delays permit transmission at data rates up to 16 Mbps, and low skew minimizes EMI interference.

The ADM1490E/ADM1491E are fully specified over the commercial and industrial temperature ranges. The ADM1490E is available in two packages: a narrow body, 8-lead SOIC and an 8-lead MSOP. The ADM1491E is also available in two packages: a narrow body, 14-lead SOIC and a 10-lead MSOP.

## TABLE OF CONTENTS

Features .....	1	Typical Performance Characteristics .....	7
Applications.....	1	Test Circuits.....	9
Functional Block Diagrams.....	1	Theory of Operation .....	10
General Description .....	1	Truth Tables.....	10
Revision History .....	2	ESD Transient Protection Scheme .....	10
Specifications.....	3	Applications Information .....	12
Timing Specifications .....	4	Differential Data.....	12
Absolute Maximum Ratings.....	5	Cable and Data Rate.....	12
Thermal Resistance .....	5	Typical Applications.....	12
ESD Caution.....	5	Outline Dimensions .....	14
Pin Configurations and Function Descriptions .....	6	Ordering Guide .....	15

## REVISION HISTORY

### 2/12—Rev. C to Rev. D

Changes to Figure 8.....	6
Updated Outline Dimensions .....	14

### 12/10—Rev. B to Rev. C

Changes to Figure 29.....	12
Changes to Figure 30.....	13

### 7/09—Rev. A to Rev. B

Added ADM1490E, 8-Lead SOIC, and 8-Lead MSOP ... Universal	
Changes to Table 4.....	5
Added Figure 7; Renumbered Figures Sequentially.....	6
Changes to Table 5.....	6
Changes to Typical Applications Section .....	12
Added Figure 29.....	12
Changes to Figure 30.....	13
Updated Outline Dimensions .....	14
Changes to Ordering Guide .....	15

### 2/09—Rev. 0 to Rev. A

Change to Table 9 .....	11
12/08—Revision 0: Initial Version	

## SPECIFICATIONS

4.75 V  $\leq$  V<sub>CC</sub>  $\leq$  5.25 V; all minimum/maximum specifications apply over the entire recommended operation range, unless otherwise noted. All typical specifications are at T<sub>A</sub> = 25°C, V<sub>CC</sub> = 5.0 V, unless otherwise noted.

Table 1.

Parameter	Symbol	Min	Typ	Max	Unit	Test Conditions/Comments
<b>SUPPLY CURRENT</b>						
Outputs Enabled	I <sub>CC1</sub>		1.2	2.0	mA	Outputs unloaded, digital inputs = V <sub>CC</sub> or GND
Outputs Disabled	I <sub>CC2</sub>		0.8	1.5	mA	Outputs unloaded, digital inputs = V <sub>CC</sub> or GND
<b>DRIVER</b>						
<b>Differential Outputs</b>						
Differential Output Voltage, Loaded	V <sub>OD2</sub>	2.0		5.0	V	R <sub>L</sub> = 100 Ω (RS-422), see Figure 21
		1.5		5.0	V	R <sub>L</sub> = 54 Ω (RS-485), see Figure 21
	V <sub>OD3</sub>	1.5		5.0	V	-7 V $\leq$ V <sub>TEST</sub> $\leq$ +12 V, see Figure 22
$\Delta V_{OD} $ for Complementary Output States	$\Delta V_{OD2} $			0.2	V	R <sub>L</sub> = 54 Ω or 100 Ω, see Figure 21
Common-Mode Output Voltage	V <sub>OC</sub>			3.0	V	R <sub>L</sub> = 54 Ω or 100 Ω, see Figure 21
$\Delta V_{OC} $ for Complementary Output States	$\Delta V_{OC} $			0.2	V	R <sub>L</sub> = 54 Ω or 100 Ω, see Figure 21
Output Leakage Current (Y, Z)	I <sub>O</sub>			100	μA	DE = 0 V, V <sub>DD</sub> = 0 V or 5 V, V <sub>IN</sub> = 12 V
	I <sub>O</sub>	-100			μA	DE = 0 V, V <sub>DD</sub> = 0 V or 5 V, V <sub>IN</sub> = -7 V
Output Short-Circuit Current	I <sub>OS</sub>			250	mA	-7 V < V <sub>OUT</sub> < +12 V
<b>Logic Inputs DE, <math>\overline{RE}</math>, DI</b>						
Input Low Voltage	V <sub>IL</sub>			0.8	V	DE, $\overline{RE}$ , DI
Input High Voltage	V <sub>IH</sub>	2.0			V	DE, $\overline{RE}$ , DI
Input Current	I <sub>I</sub>	-1		+1	μA	DE, $\overline{RE}$ , DI
<b>RECEIVER</b>						
<b>Differential Inputs</b>						
Differential Input Threshold Voltage	V <sub>TH</sub>	-0.2		+0.2	V	-7 V < V <sub>CM</sub> < +12 V
Input Voltage Hysteresis	V <sub>HYS</sub>		30		mV	V <sub>CM</sub> = 0 V
Input Current (A, B)	I <sub>I</sub>			1.0	mA	V <sub>CM</sub> = 12 V
		-0.8			mA	V <sub>CM</sub> = -7 V
Line Input Resistance	R <sub>IN</sub>	12	30		kΩ	-7 V $\leq$ V <sub>CM</sub> $\leq$ +12 V
<b>Logic Outputs</b>						
Output Voltage Low	V <sub>OL</sub>			0.4	V	I <sub>OUT</sub> = +4.0 mA, V <sub>A</sub> - V <sub>B</sub> = -0.2 V
Output Voltage High	V <sub>OH</sub>	4.0			V	I <sub>OUT</sub> = -4.0 mA, V <sub>A</sub> - V <sub>B</sub> = +0.2 V
Short-Circuit Current				85	mA	
Three-State Output Leakage Current	I <sub>OZR</sub>			±1	μA	V <sub>CC</sub> = 5.25 V, 0.4 V < V <sub>OUT</sub> < 2.4 V

## TIMING SPECIFICATIONS

$T_A = -40^\circ\text{C}$  to  $+85^\circ\text{C}$ .

Table 2.

Parameter	Symbol	Min	Typ	Max	Unit	Test Conditions/Comments
<b>DRIVER</b>						
Maximum Data Rate		16			Mbps	
Propagation Delay	$t_{DPLH}, t_{DPHL}$		11	17	ns	$R_L = 54\ \Omega, C_L = 100\ \text{pF}$ , see Figure 23 and Figure 3
Driver Output Skew	$t_{SKEW}$		0.5	2	ns	$R_L = 54\ \Omega, C_L = 100\ \text{pF}$ , see Figure 23 and Figure 3, $t_{SKEW} =  t_{DPLH} - t_{DPHL} $
Rise Time/Fall Time	$t_{DR}, t_{DF}$		8	15	ns	$R_L = 54\ \Omega, C_L = 100\ \text{pF}$ , see Figure 23 and Figure 3
Enable Time	$t_{ZH}, t_{ZL}$			20	ns	$R_L = 110\ \Omega, C_L = 50\ \text{pF}$ , see Figure 24 and Figure 5
Disable Time	$t_{HZ}, t_{LZ}$			20	ns	$R_L = 110\ \Omega, C_L = 50\ \text{pF}$ , see Figure 24 and Figure 5
<b>RECEIVER</b>						
Propagation Delay	$t_{PLH}, t_{PHL}$		12	20	ns	$C_L = 15\ \text{pF}$ , see Figure 25 and Figure 4
Skew $ t_{PLH} - t_{PHL} $	$t_{SKEW}$		0.4	2	ns	$C_L = 15\ \text{pF}$ , see Figure 25 and Figure 4
Enable Time	$t_{ZH}, t_{ZL}$			13	ns	$R_L = 1\ \text{k}\Omega, C_L = 15\ \text{pF}$ , see Figure 26 and Figure 6
Disable Time	$t_{HZ}, t_{LZ}$			13	ns	$R_L = 1\ \text{k}\Omega, C_L = 15\ \text{pF}$ , see Figure 26 and Figure 6

## Timing Diagrams

### Switching Characteristics

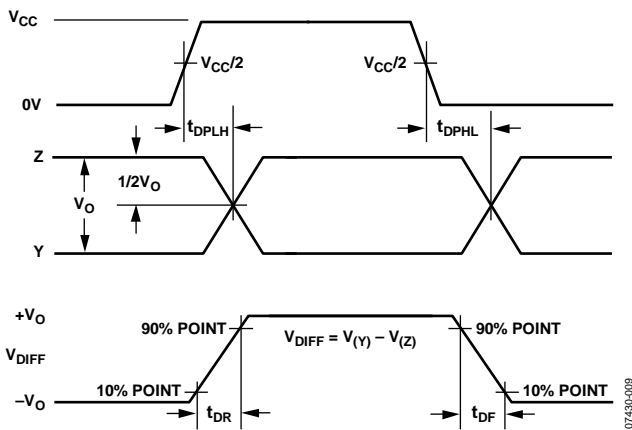


Figure 3. Driver Propagation Delay Rise/Fall Timing

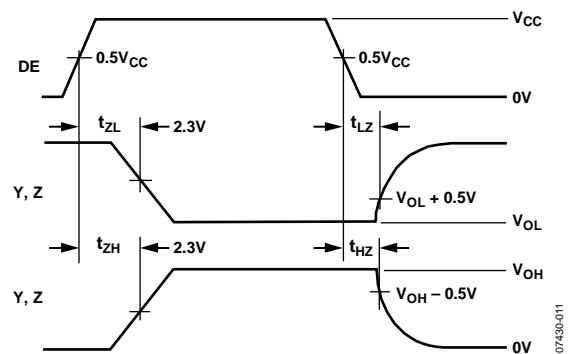


Figure 5. Driver Enable/Disable Timing

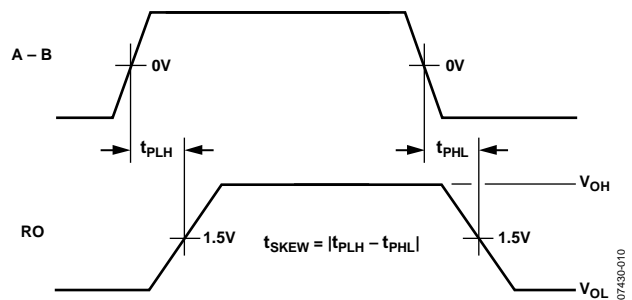


Figure 4. Receiver Propagation Delay Timing

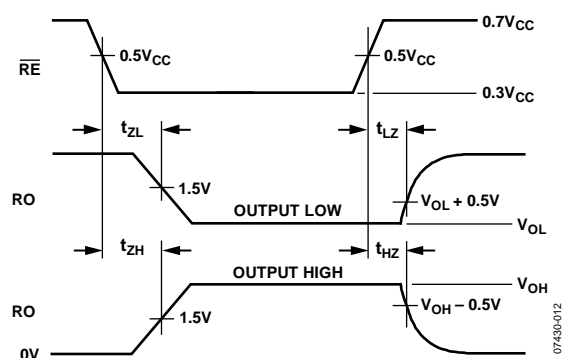


Figure 6. Receiver Enable/Disable Timing

## ABSOLUTE MAXIMUM RATINGS

$T_A = 25^\circ\text{C}$ , unless otherwise noted.

**Table 3.**

Parameter	Rating
$V_{CC}$ to GND	-0.3 V to +7 V
Digital I/O Voltage (DE, $\overline{RE}$ )	-0.3 V to $V_{CC} + 0.3$ V
Driver Input Voltage (DI)	-0.3 V to $V_{CC} + 0.3$ V
Receiver Output Voltage (RO)	-0.3 V to $V_{CC} + 0.3$ V
Driver Output/Receiver Input Voltage (A, B, Y, Z)	-9 V to +14 V
Operating Temperature Range	-40°C to +85°C
Storage Temperature Range	-55°C to +150°C
ESD (HBM) on A, B, Y, and Z	$\pm 8$ kV

Stresses above those listed under Absolute Maximum Ratings may cause permanent damage to the device. This is a stress rating only; functional operation of the device at these or any other conditions above those indicated in the operational section of this specification is not implied. Exposure to absolute maximum rating conditions for extended periods may affect device reliability.

## THERMAL RESISTANCE

$\theta_{JA}$  is specified for the worst-case conditions, that is, a device soldered in a circuit board for surface-mount packages.

**Table 4. Thermal Resistance**

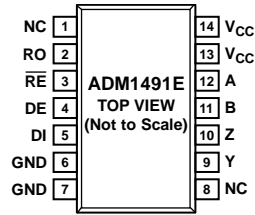
Package Type	$\theta_{JA}$	Unit
8-Lead SOIC	121	°C/W
14-Lead SOIC	86	°C/W
8-Lead MSOP	133	°C/W
10-Lead MSOP	133	°C/W

## ESD CAUTION



**ESD (electrostatic discharge) sensitive device.** Charged devices and circuit boards can discharge without detection. Although this product features patented or proprietary protection circuitry, damage may occur on devices subjected to high energy ESD. Therefore, proper ESD precautions should be taken to avoid performance degradation or loss of functionality.

PIN CONFIGURATIONS AND FUNCTION DESCRIPTIONS



- NOTES**
1. NC = NO CONNECT. DO NOT CONNECT TO THIS PIN.
  2. PIN 7 IS NOT CONNECTED INTERNALLY. SHOWN AS GND TO COMPLY WITH INDUSTRY STANDARD PINOUT.
  3. PIN 14 IS NOT CONNECTED INTERNALLY. SHOWN AS V<sub>CC</sub> TO COMPLY WITH INDUSTRY STANDARD PINOUT.

Figure 8. 14-Lead, Narrow Body SOIC Pin Configuration

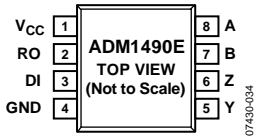


Figure 7. 8-Lead MSOP and 8-Lead SOIC Pin Configuration

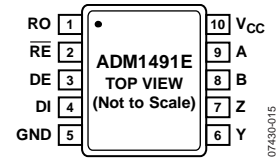


Figure 9. 10-Lead MSOP Pin Configuration

Table 5. Pin Function Descriptions

Pin No.		Mnemonic	Description
8-Lead SOIC, 8-Lead MSOP	14-Lead SOIC		
N/A <sup>1</sup>	1	NC	No Connect. This pin is available on the 14-lead SOIC only.
2	2	RO	Receiver Output.
N/A <sup>1</sup>	3	RE	Receiver Output Enable. A low level enables the receiver output, whereas a high level places the receiver output in a high impedance state.
N/A <sup>1</sup>	4	DE	Driver Output Enable. A logic high enables the differential driver outputs, A and B, whereas a logic low places the differential driver outputs in a high impedance state.
3	5	DI	Driver Input. When the driver is enabled, a logic low on DI forces Pin A low and Pin B high, whereas a logic high on DI forces Pin A high and Pin B low.
4	6	GND	Ground.
N/A <sup>1</sup>	7	GND	Ground. This pin is available on the 14-lead SOIC only.
N/A <sup>1</sup>	8	NC	No Connect. This pin is available on the 14-lead SOIC only.
5	9	Y	Noninverting Driver Output Y.
6	10	Z	Inverting Driver Output Z.
7	11	B	Inverting Receiver Input B.
8	12	A	Noninverting Receiver Input A.
1	13	V <sub>CC</sub>	Power Supply (5 V ± 5%).
N/A <sup>1</sup>	14	V <sub>CC</sub>	Power Supply (5 V ± 5%). This pin is available on the 14-lead SOIC only.

<sup>1</sup> N/A indicates not applicable.

### TYPICAL PERFORMANCE CHARACTERISTICS

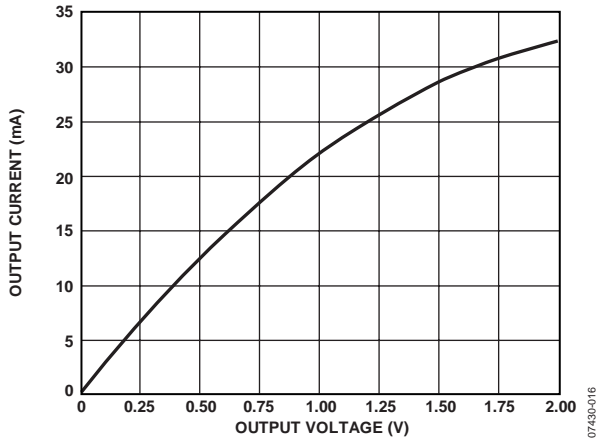


Figure 10. Output Current vs. Receiver Output Low Voltage

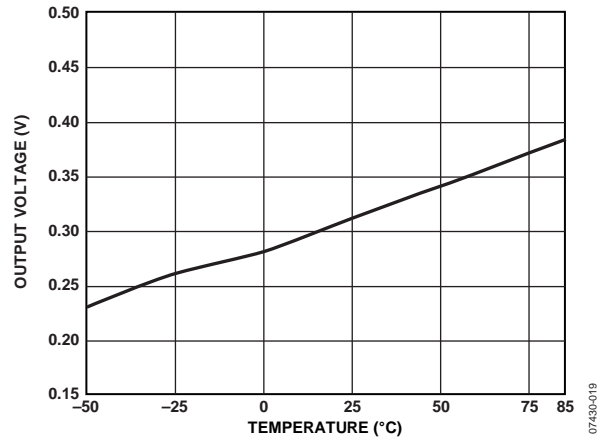


Figure 13. Receiver Output Low Voltage vs. Temperature ( $I_{OUT} = 8 \text{ mA}$ )

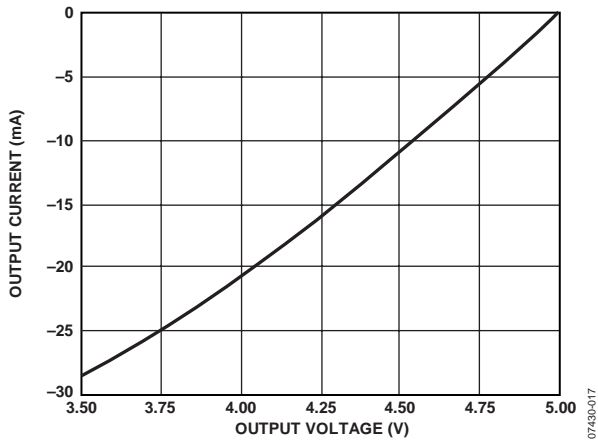


Figure 11. Output Current vs. Receiver Output High Voltage

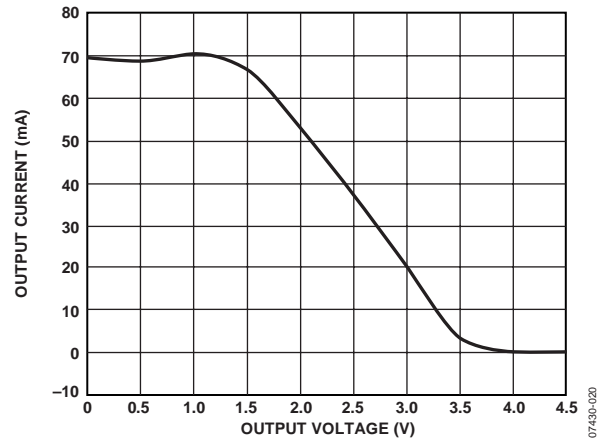


Figure 14. Output Current vs. Driver Differential Output Voltage

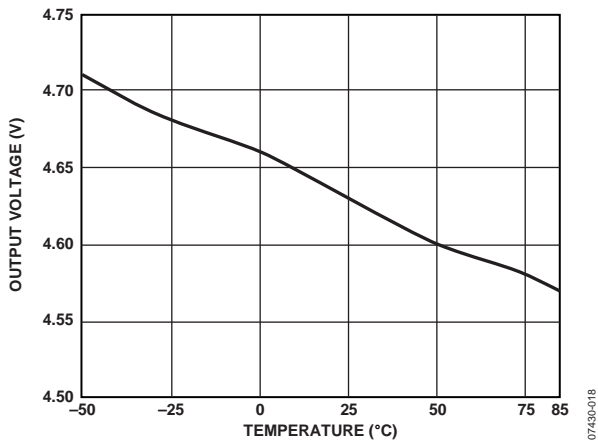


Figure 12. Receiver Output High Voltage vs. Temperature ( $I_{OUT} = 8 \text{ mA}$ )

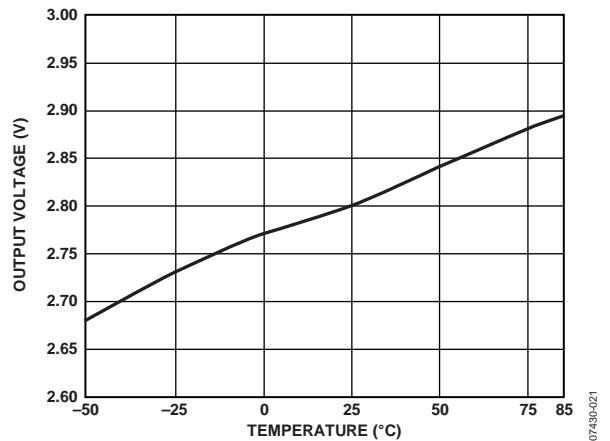


Figure 15. Driver Differential Output Voltage vs. Temperature ( $R_L = 56.3 \Omega$ )

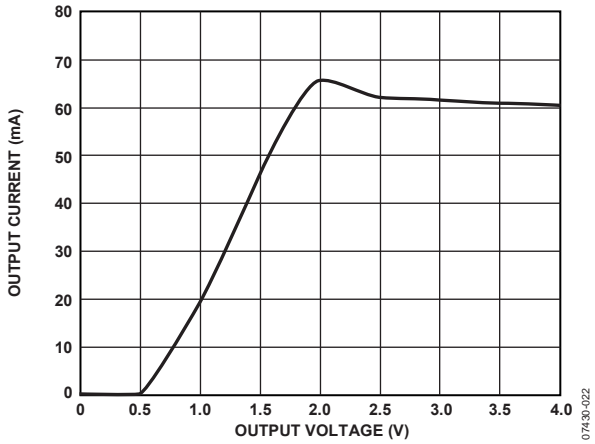


Figure 16. Output Current vs. Driver Output Low Voltage

07430-022

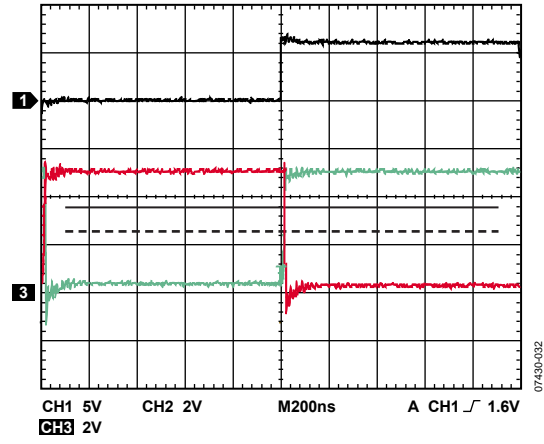


Figure 19. Unloaded Driver Differential Outputs

07430-032

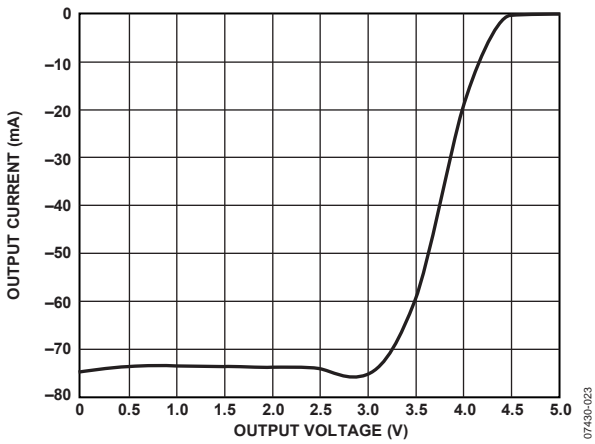


Figure 17. Output Current vs. Driver Output High Voltage

07430-023

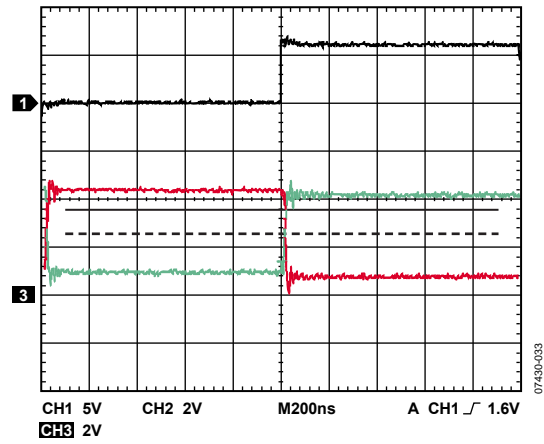


Figure 20. Loaded Driver Differential Outputs  
( $R_L$  Differential = 54  $\Omega$ ,  $C_L$  = 100 pF)

07430-033

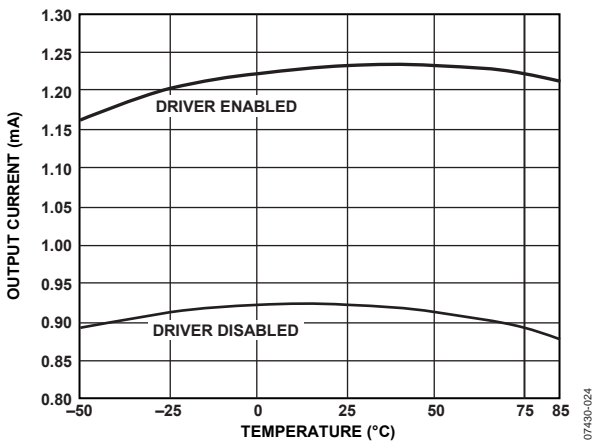


Figure 18. Output Current vs. Temperature

07430-024



TEST CIRCUITS

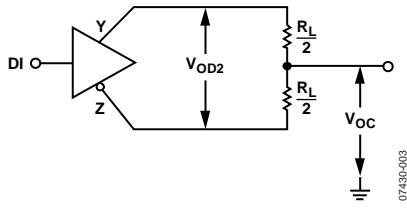


Figure 21. Driver Voltage Measurements

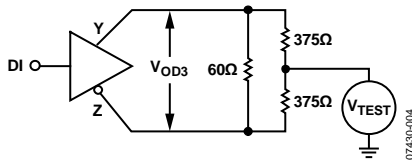


Figure 22. Driver Voltage Measurements

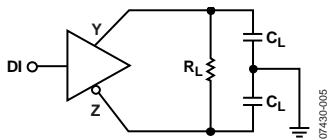


Figure 23. Driver Propagation Delay

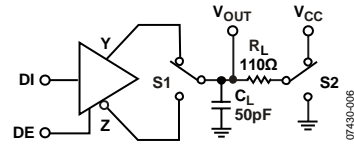


Figure 24. Driver Enable/Disable Timing

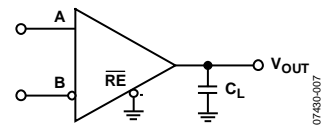


Figure 25. Receiver Propagation Delay

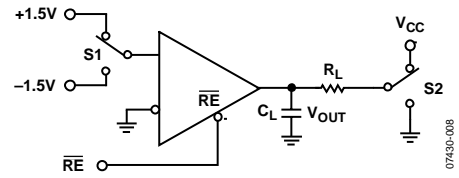


Figure 26. Receiver Enable/Disable Timing

## THEORY OF OPERATION

The ADM1490E/ADM1491E are RS-422/RS-485 transceivers that operate from a single 5 V ± 5% power supply. The ADM1490E/ADM1491E are intended for balanced data transmission and comply with both TIA/EIA-485-A and TIA/EIA-422-B. Each device contains a differential line driver and a differential line receiver and is suitable for full-duplex data transmission.

The input impedance of the ADM1490E/ADM1491E is 12 kΩ, allowing up to 32 transceivers on the differential bus. A thermal shutdown circuit prevents excessive power dissipation caused by bus contention or by output shorting. This feature forces the driver output into a high impedance state if, during fault conditions, a significant temperature increase is detected in the internal driver circuitry.

The receiver contains a fail-safe feature that results in a logic high output state if the inputs are unconnected (floating).

The ADM1490E/ADM1491E feature very low propagation delay, ensuring maximum baud rate operation. The balanced driver ensures distortion-free transmission.

Another important specification is a measure of the skew between the complementary outputs. Excessive skew impairs the noise immunity of the system and increases the amount of electromagnetic interference (EMI).

## TRUTH TABLES

Table 6. Abbreviations in Truth Tables

Letter	Description
H	High level
I	Indeterminate
L	Low level
X	Irrelevant
Z	High impedance (off)

Table 7. Transmitting

Inputs		Outputs	
DE	DI	Z	Y
H	H	L	H
H	L	H	L
L	X	Z	Z

Table 8. Receiving

Inputs		Output
RE	A – B	RO
L	≥ +0.2 V	H
L	≤ -0.2 V	L
L	-0.2 V ≤ A – B ≤ +0.2 V	I
L	Inputs open	H
H	X	Z

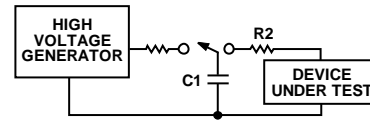
## ESD TRANSIENT PROTECTION SCHEME

The ADM1490E/ADM1491E use protective clamping structures on their inputs and outputs to clamp the voltage to a safe level and dissipate the energy present in ESD (electrostatic). The protection structure achieves ESD protection up to ±8 kV human body model (HBM).

### ESD Testing

Two coupling methods are used for ESD testing: contact discharge and air gap discharge. Contact discharge calls for a direct connection to the unit being tested; air gap discharge uses a higher test voltage but does not make direct contact with the unit under test. With air discharge, the discharge gun is moved toward the unit under test, developing an arc across the air gap; therefore, the term air discharge. This method is influenced by humidity, temperature, barometric pressure, distance, and rate of closure of the discharge gun. The contact discharge method, though less realistic, is more repeatable and is gaining acceptance and preference over the air gap method.

Although very little energy is contained within an ESD pulse, the extremely fast rise time, coupled with high voltages, can cause failures in unprotected semiconductors. Catastrophic destruction can occur immediately because of arcing or heating. Even if catastrophic failure does not occur immediately, the device can suffer from parametric degradation, resulting in degraded performance. The cumulative effects of continuous exposure can eventually lead to complete failure.



NOTES  
1. THE ESD TEST METHOD USED IS THE HUMAN BODY MODEL (±8kV) WITH R2 = 1500Ω AND C1 = 100pF.

07430-025

Figure 27. ESD Generator

I/O lines are particularly vulnerable to ESD damage. Simply touching or plugging in an I/O cable may result in a static discharge that can damage or destroy the interface product connected to the I/O port. It is, therefore, extremely important to have high levels of ESD protection on the I/O lines.

The ESD discharge can induce latch-up in the device under test. Therefore, it is important to conduct ESD testing on the I/O pins while power is applied to the device. This type of testing is more representative of a real-world I/O discharge in which the equipment is operating normally when the discharge occurs.

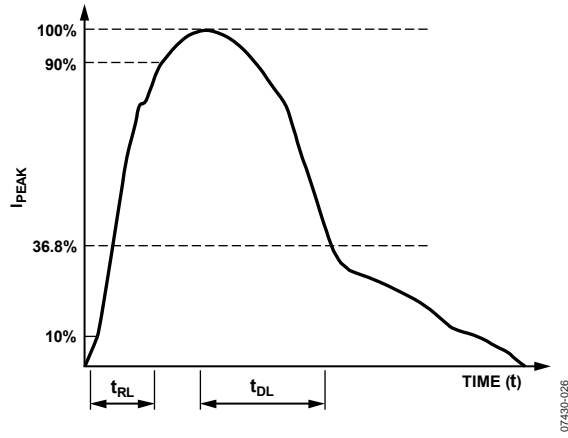


Figure 28. Human Body Model ESD Current Waveform

Table 9. ADM1490E/ADM1491E ESD Test Results

ESD Test Method	Input/Output Pins	Other Pins
Human Body Model	±8 kV	±4 kV

## APPLICATIONS INFORMATION

### DIFFERENTIAL DATA

Differential data transmission reliably transmits data at high rates over long distances and through noisy environments. Differential transmission nullifies the effects of ground shifts and noise signals that appear as common-mode voltages on the line. There are two main standards approved by the Electronics Industries Association (EIA) that specify the electrical characteristics of transceivers used in differential data transmission.

The RS-422 standard specifies data rates of up to 10 MBaud and line lengths of up to 4000 feet. A single driver can drive a transmission line with as many as 10 receivers.

The RS-485 standard addresses true multipoint communications. This standard meets or exceeds all of the requirements of RS-422, and it allows as many as 32 drivers and 32 receivers to connect to a single bus. An extended common-mode range of  $-7\text{ V}$  to  $+12\text{ V}$  is defined. The most significant difference between the RS-422 and the RS-485 is that the drivers with RS-485 can be disabled, allowing more than one driver to be connected to a single line, with as many as 32 drivers connected to a single line. Only one driver should be enabled at a time, but the RS-485 standard contains additional specifications to guarantee device safety in the event of line contention.

### CABLE AND DATA RATE

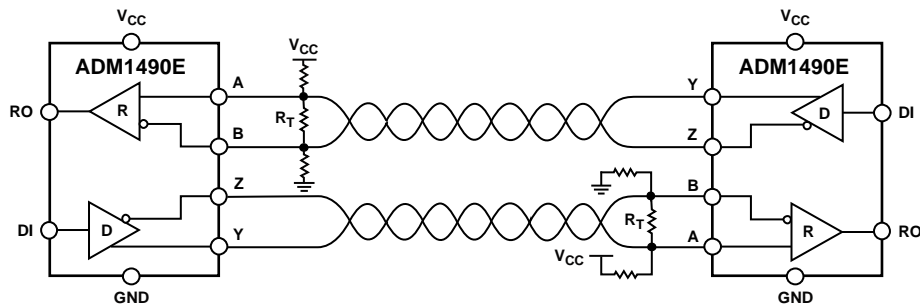
Twisted pair is the transmission line of choice for RS-485 communications. Twisted pair cable tends to cancel common-mode noise and causes cancellation of the magnetic fields generated by the current flowing through each wire, thereby reducing the effective inductance of the pair.

An RS-485 transmission line can have as many as 32 transceivers on the bus. Only one driver can transmit at a time, but multiple receivers may be enabled simultaneously.

As with any transmission line, it is important to minimize reflections. This can be achieved by terminating the extreme ends of the line using resistors equal to the characteristic impedance of the line. Keep stub lengths of the main line as short as possible. A properly terminated transmission line appears purely resistive to the driver.

### TYPICAL APPLICATIONS

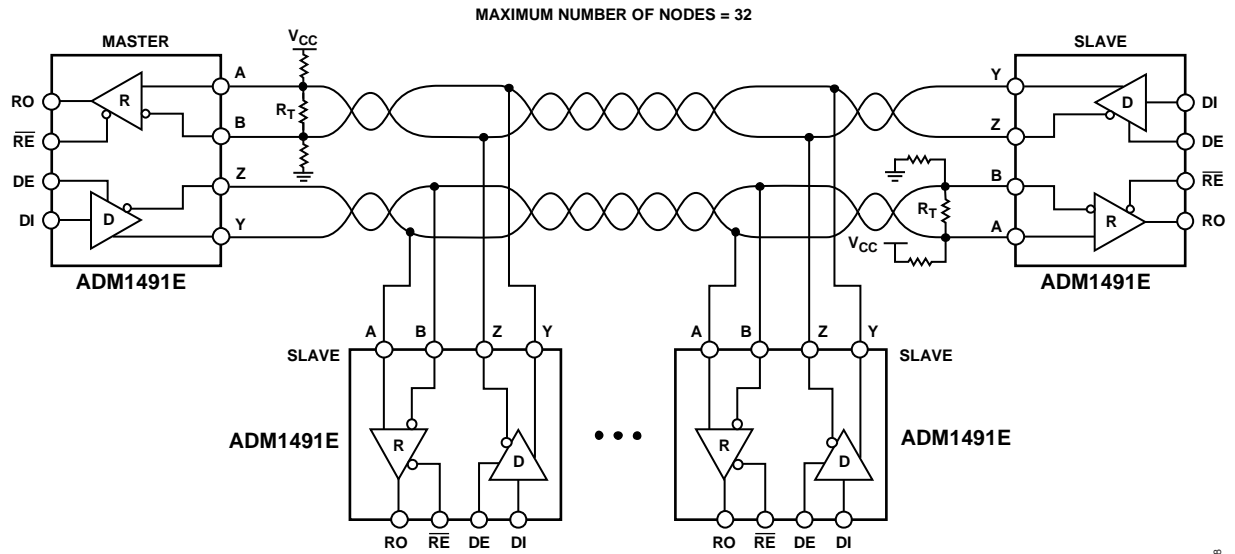
Figure 29 shows a typical configuration for a full-duplex point-to-point application using the ADM1490E. Figure 30 shows a typical configuration for a full-duplex multipoint application using the ADM1491E. To minimize reflections, the lines must be terminated at the receiving end in its characteristic impedance, and stub lengths off the main line must be kept as short as possible.



NOTES  
1. MAXIMUM NUMBER OF NODES = 32.

Figure 29. Typical Point-to-Point Full-Duplex Application

07430-027

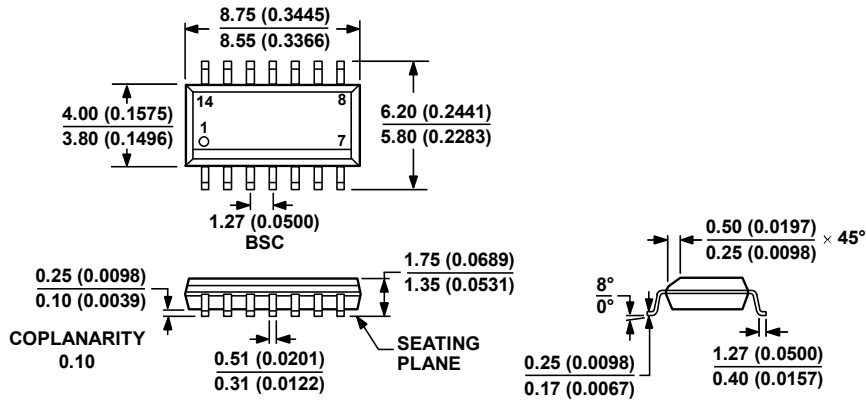


NOTES  
 1.  $R_T$  IS EQUAL TO THE CHARACTERISTIC IMPEDANCE OF THE CABLE.

Figure 30. Typical RS-485 Full-Duplex Application

07450-028

OUTLINE DIMENSIONS

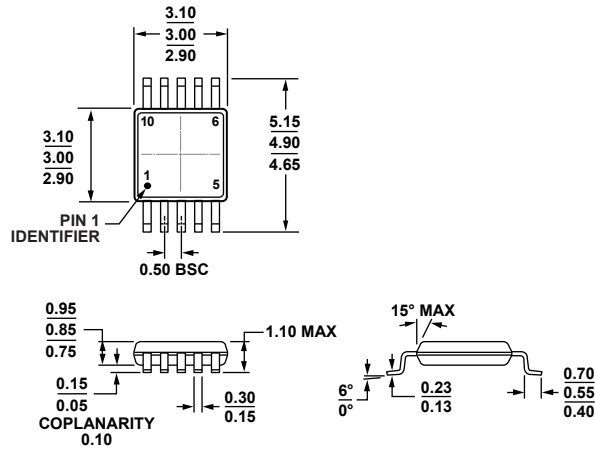


COMPLIANT TO JEDEC STANDARDS MS-012-AB  
 CONTROLLING DIMENSIONS ARE IN MILLIMETERS; INCH DIMENSIONS  
 (IN PARENTHESES) ARE ROUNDED-OFF MILLIMETER EQUIVALENTS FOR  
 REFERENCE ONLY AND ARE NOT APPROPRIATE FOR USE IN DESIGN.

Figure 31. 14-Lead Standard Small Outline Package [SOIC\_N]  
 Narrow Body  
 (R-14)

Dimensions shown in millimeters and (inches)

060606-A

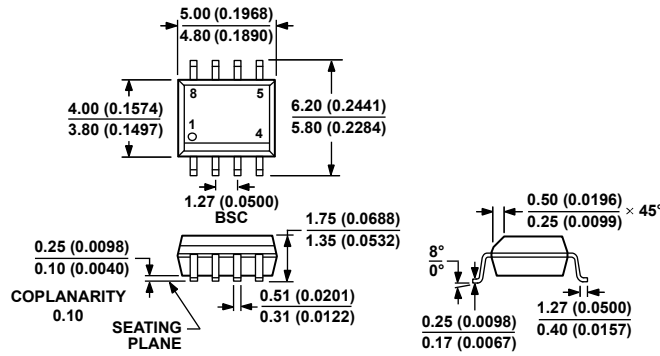


COMPLIANT TO JEDEC STANDARDS MO-187-BA

Figure 32. 10-Lead Mini Small Outline Package [MSOP]  
 (RM-10)

Dimensions shown in millimeters

081708-A

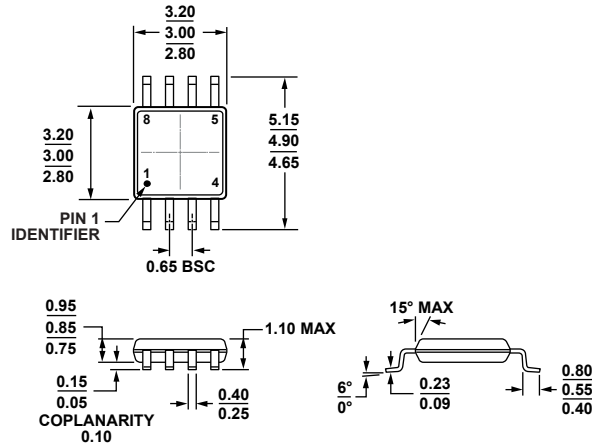


COMPLIANT TO JEDEC STANDARDS MS-012-AA  
 CONTROLLING DIMENSIONS ARE IN MILLIMETERS; INCH DIMENSIONS  
 (IN PARENTHESES) ARE ROUNDED-OFF MILLIMETER EQUIVALENTS FOR  
 REFERENCE ONLY AND ARE NOT APPROPRIATE FOR USE IN DESIGN.

Figure 33. 8-Lead Standard Small Outline Package [SOIC\_N]  
 Narrow Body  
 (R-8)

Dimensions shown in millimeters and (inches)

012A07-A



COMPLIANT TO JEDEC STANDARDS MO-187-AA

Figure 34. 8-Lead Mini Small Outline Package [MSOP]  
 (RM-8)

Dimensions shown in millimeters

10-07-2009-B

**ORDERING GUIDE**

Model <sup>1</sup>	Temperature Range	Package Description	Package Option	Branding
ADM1490EBRZ	-40°C to +85°C	8-Lead Standard Small Outline Package, Narrow Body [SOIC_N]	R-8	
ADM1490EBRZ-REEL7	-40°C to +85°C	8-Lead Standard Small Outline Package, Narrow Body [SOIC_N]	R-8	
ADM1490EBRMZ	-40°C to +85°C	8-Lead Mini Small Outline Package [MSOP]	RM-8	F0E
ADM1490EBRMZ-REEL7	-40°C to +85°C	8-Lead Mini Small Outline Package [MSOP]	RM-8	F0E
ADM1491EBRZ	-40°C to +85°C	14-Lead Standard Small Outline Package, Narrow Body [SOIC_N]	R-14	
ADM1491EBRZ-REEL7	-40°C to +85°C	14-Lead Standard Small Outline Package, Narrow Body [SOIC_N]	R-14	
ADM1491EBRMZ	-40°C to +85°C	10-Lead Mini Small Outline Package [MSOP]	RM-10	F0D
ADM1491EBRMZ-REEL7	-40°C to +85°C	10-Lead Mini Small Outline Package [MSOP]	RM-10	F0D

<sup>1</sup> Z = RoHS Compliant Part.

**NOTES**