

FEATURES
High performance
Temperature accuracy

±0.5°C from -40°C to +105°C (2.7 V to 3.6 V)

±0.4°C from -40°C to +105°C (3.0 V)

16-bit temperature resolution: 0.0078°C
Fast first temperature conversion on power-up of 6 ms
Easy implementation
No temperature calibration/correction required by user
No linearity correction required
Low power
Power saving 1 sample per second (SPS) mode
700 μW typical at 3.3 V in normal mode
7 μW typical at 3.3 V in shutdown mode
Wide operating ranges
Temperature range: -55°C to +150°C
Voltage range: 2.7 V to 5.5 V
Programmable interrupts
Critical overtemperature interrupt
Overtemperature/undertemperature interrupt
I²C-compatible interface
8-lead narrow SOIC RoHS-compliant package
APPLICATIONS

Medical equipment

Environmental control systems

Computer thermal monitoring

Thermal protection

Industrial process control

Power system monitors

Hand-held applications

GENERAL DESCRIPTION

The ADT7410 is a high accuracy digital temperature sensor in a narrow SOIC package. It contains a band gap temperature reference and a 13-bit ADC to monitor and digitize the temperature to a 0.0625°C resolution. The ADC resolution, by default, is set to 13 bits (0.0625°C). This can be changed to 16 bits (0.0078°C) by setting Bit 7 in the configuration register (Register Address 0x03).

The ADT7410 is guaranteed to operate over supply voltages from 2.7 V to 5.5 V. Operating at 3.3 V, the average supply current is typically 210 μA. The ADT7410 has a shutdown mode that powers down the device and offers a shutdown current of typically 2 μA. The ADT7410 is rated for operation over the -55°C to +150°C temperature range.

Pin A0 and Pin A1 are available for address selection, giving the ADT7410 four possible I²C addresses. The CT pin is an open-drain output that becomes active when the temperature exceeds a programmable critical temperature limit. The INT pin is also an open-drain output that becomes active when the temperature exceeds a programmable limit. The INT and CT pins can operate in either comparator or interrupt mode.

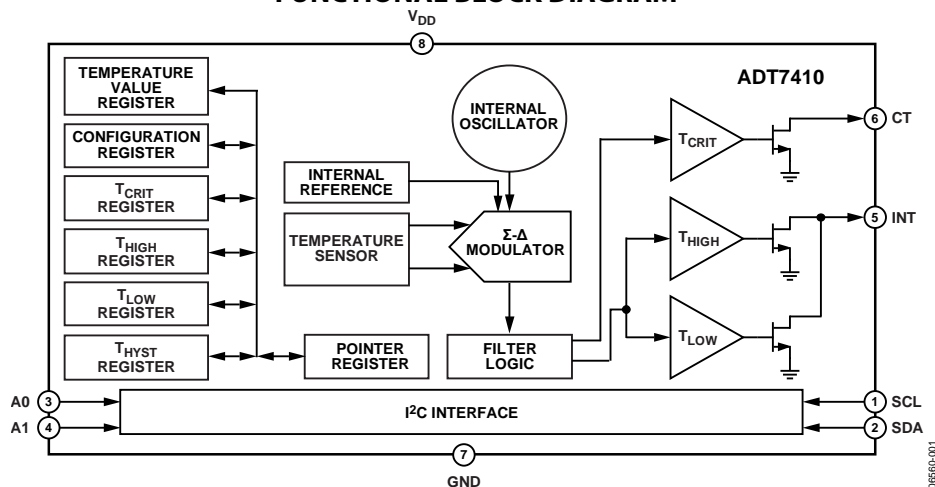
FUNCTIONAL BLOCK DIAGRAM


Figure 1.

Rev. C

[Document Feedback](#)

Information furnished by Analog Devices is believed to be accurate and reliable. However, no responsibility is assumed by Analog Devices for its use, nor for any infringements of patents or other rights of third parties that may result from its use. Specifications subject to change without notice. No license is granted by implication or otherwise under any patent or patent rights of Analog Devices. Trademarks and registered trademarks are the property of their respective owners.

One Technology Way, P.O. Box 9106, Norwood, MA 02062-9106, U.S.A.
 Tel: 781.329.4700 ©2009–2017 Analog Devices, Inc. All rights reserved.
[Technical Support](#) www.analog.com

ADT7410* PRODUCT PAGE QUICK LINKS

Last Content Update: 09/09/2017

COMPARABLE PARTS

View a parametric search of comparable parts.

EVALUATION KITS

- ADT7310 and ADT7410 Evaluation Board

DOCUMENTATION

Application Notes

- AN-1250: Interfacing an ADT7310/ADT7410 to a Cortex-M3 Based Precision Analog Microcontroller (ADuCM360)

Data Sheet

- ADT7410: $\pm 0.5^{\circ}\text{C}$ Accurate, 16-Bit Digital I²C Temperature Sensor Data Sheet

User Guides

- UG-047: Evaluating the ADT7310/ADT7410 Temperature Sensors

REFERENCE MATERIALS

Informational

- Wireless Sensor Network (WSN) Demo System

DESIGN RESOURCES

- ADT7410 Material Declaration
- PCN-PDN Information
- Quality And Reliability
- Symbols and Footprints

DISCUSSIONS

View all ADT7410 EngineerZone Discussions.

SAMPLE AND BUY

Visit the product page to see pricing options.

TECHNICAL SUPPORT

Submit a technical question or find your regional support number.

DOCUMENT FEEDBACK

Submit feedback for this data sheet.

TABLE OF CONTENTS

Features	1	Temperature Value Registers	13
Applications.....	1	Status Register.....	14
General Description	1	Configuration Register	14
Functional Block Diagram	1	T _{HIGH} Setpoint Registers.....	15
Revision History	2	T _{LOW} Setpoint Registers.....	15
Specifications.....	3	T _{CRIT} Setpoint Registers.....	15
I ² C Timing Specifications.....	4	T _{HYST} Setpoint Register.....	16
Absolute Maximum Ratings.....	5	ID Register.....	16
ESD Caution.....	5	Serial Interface	17
Pin Configurations and Function Descriptions	6	Serial Bus Address.....	17
Typical Performance Characteristics	7	Writing Data	18
Theory of Operation	9	Reading Data.....	19
Circuit Information.....	9	Reset	19
Converter Details.....	9	General Call	19
Temperature Measurement	9	INT and CT Outputs.....	21
One-Shot Mode	10	Undertemperature and Overtemperature Detection	21
1 SPS Mode.....	10	Applications Information	23
Shutdown.....	11	Thermal Response Time	23
Fault Queue	11	Supply Decoupling	23
Temperature Data Format	12	Temperature Monitoring.....	23
Temperature Conversion Formulas	12	Outline Dimensions	24
Registers	13	Ordering Guide	24
Address Pointer Register	13		

REVISION HISTORY

9/2017—Rev. B to Rev. C

Removed 16-Lead LFCSP	Throughout
Changes to Table 3.....	5
Deleted Figure 5; Renumbered Sequentially.....	6
Changes to Table 4.....	6
Changes to Table 6.....	13
Updated Outline Dimensions, Deleted Figure 24.....	24
Changes to Ordering Guide	24

7/2016—Rev. A to Rev. B

Added 16-Lead LFCSP	Universal
Changes to Table 3.....	5
Added Figure 5; Renumbered Sequentially	6
Changes to Table 4.....	6
Changes to Table 9.....	13
Changes to Table 10.....	14
Changes to Interrupt Mode Section and Figure 20.....	21

Changes to Figure 21.....	22
Updated Outline Dimensions	24
Changes to Ordering Guide	24

12/2011—Rev. 0 to Rev. A

Changes to Features Section	1
Changes to Table 1.....	3
Changes to Figure 5.....	7
Changes to One-Shot Mode Section and 1 SPS Mode Section.....	10
Changes to Shutdown Section	11
Changes to Table 8 and Table 9	13
Changes to Table 10 and Table 11	14
Changes to Ordering Guide	24

4/2009—Revision 0: Initial Version

SPECIFICATIONS

$T_A = -55^\circ\text{C}$ to $+150^\circ\text{C}$, $V_{DD} = 2.7\text{ V}$ to 5.5 V , unless otherwise noted.

Table 1.

Parameter	Min	Typ	Max	Unit	Test Conditions/Comments
TEMPERATURE SENSOR AND ADC					
Accuracy ¹		-0.05	$\pm 0.4^2$	$^\circ\text{C}$	$T_A = -40^\circ\text{C}$ to $+105^\circ\text{C}$, $V_{DD} = 3.0\text{ V}$
			± 0.44	$^\circ\text{C}$	$T_A = -40^\circ\text{C}$ to $+105^\circ\text{C}$, $V_{DD} = 2.7\text{ V}$ to 3.3 V
			± 0.5	$^\circ\text{C}$	$T_A = -55^\circ\text{C}$ to $+125^\circ\text{C}$, $V_{DD} = 3.0\text{ V}$
			± 0.5	$^\circ\text{C}$	$T_A = -40^\circ\text{C}$ to $+105^\circ\text{C}$, $V_{DD} = 2.7\text{ V}$ to 3.6 V
			± 0.7	$^\circ\text{C}$	$T_A = -55^\circ\text{C}$ to $+150^\circ\text{C}$, $V_{DD} = 2.7\text{ V}$ to 3.6 V
			± 0.8	$^\circ\text{C}$	$T_A = -40^\circ\text{C}$ to $+105^\circ\text{C}$, $V_{DD} = 4.5\text{ V}$ to 5.5 V
			± 1.0	$^\circ\text{C}$	$T_A = -55^\circ\text{C}$ to $+150^\circ\text{C}$, $V_{DD} = 2.7\text{ V}$ to 5.5 V
ADC Resolution		13		Bits	Twos complement temperature value of the sign bit plus 12 ADC bits (power-up default resolution)
		16		Bits	Twos complement temperature value of the sign bit plus 15 ADC bits (Bit 7 = 1 in the configuration register)
Temperature Resolution					
13-Bit		0.0625		$^\circ\text{C}$	13-bit resolution (sign + 12-bit)
16-Bit		0.0078		$^\circ\text{C}$	16-bit resolution (sign + 15-bit)
Temperature Conversion Time		240		ms	Continuous conversion and one-shot conversion modes
Fast Temperature Conversion Time		6		ms	First conversion on power-up only
1 SPS Conversion Time		60		ms	Conversion time for 1 SPS mode
Temperature Hysteresis		± 0.002		$^\circ\text{C}$	Temperature cycle = 25°C to 125°C and back to 25°C
Repeatability ³		± 0.015		$^\circ\text{C}$	$T_A = 25^\circ\text{C}$
DC PSRR		0.1		$^\circ\text{C}/\text{V}$	$T_A = 25^\circ\text{C}$
DIGITAL OUTPUTS (OPEN DRAIN)					
High Output Leakage Current, I_{OH}		0.1	5	μA	CT and INT pins pulled up to 5.5 V
Output High Current			1	mA	$V_{OH} = 5.5\text{ V}$
Output Low Voltage, V_{OL}			0.4	V	$I_{OL} = 2\text{ mA}$ at 5.5 V, $I_{OL} = 1\text{ mA}$ at 3.3 V
Output High Voltage, V_{OH}	$0.7 \times V_{DD}$			V	
Output Capacitance, C_{OUT}		3		pF	
DIGITAL INPUTS					
Input Current			± 1	μA	$V_{IN} = 0\text{ V}$ to V_{DD}
Input Low Voltage, V_{IL}			0.4	V	
Input High Voltage, V_{IH}	$0.7 \times V_{DD}$			V	
SCL, SDA Glitch Rejection		50		ns	Input filtering suppresses noise spikes of less than 50 ns
Pin Capacitance		5	10	pF	
POWER REQUIREMENTS					
Supply Voltage	2.7		5.5	V	
Supply Current					
At 3.3 V		210	250	μA	Peak current while converting, I ² C interface inactive
At 5.5 V		250	300	μA	Peak current while converting, I ² C interface inactive
1 SPS Current					
At 3.3 V		46		μA	$V_{DD} = 3.3\text{ V}$, 1 SPS mode, $T_A = 25^\circ\text{C}$
At 5.5 V		65		μA	$V_{DD} = 5.5\text{ V}$, 1 SPS mode, $T_A = 25^\circ\text{C}$
Shutdown Current					
At 3.3 V		2.0	15	μA	Supply current in shutdown mode
At 5.5 V		5.2	25	μA	Supply current in shutdown mode
Power Dissipation Normal Mode		700		μW	$V_{DD} = 3.3\text{ V}$, normal mode at 25°C
Power Dissipation 1 SPS		150		μW	Power dissipated for $V_{DD} = 3.3\text{ V}$, $T_A = 25^\circ\text{C}$

¹ Accuracy includes lifetime drift.

² The equivalent 3 σ limits are $\pm 0.33^\circ\text{C}$. This 3 σ specification is provided to enable comparison with other vendors who use these limits.

³ Based on a floating average of 10 readings.

I²C TIMING SPECIFICATIONS

T_A = -55°C to +150°C, V_{DD} = 2.7 V to 5.5 V, unless otherwise noted. All input signals are specified with rise time (t_R) = fall time (t_F) = 5 ns (10% to 90% of V_{DD}) and timed from a voltage level of 1.6 V.

Table 2.

Parameter	Min	Typ	Max	Unit	Test Conditions/Comments
SERIAL INTERFACE ^{1, 2}					
SCL Frequency	0		400	kHz	See Figure 2
SCL High Pulse Width, t _{HIGH}	0.6			μs	
SCL Low Pulse Width, t _{LOW}	1.3			μs	
SCL, SDA Rise Time, t _R			0.3	μs	
SCL, SDA Fall Time, t _F			0.3	μs	
Hold Time (Start Condition), t _{HD:STA}	0.6			μs	After this period, the first clock is generated
Setup Time (Start Condition), t _{SU:STA}	0.6			μs	Relevant for repeated start condition
Data Setup Time, t _{SU:DAT}	0.25			μs	V _{DD} ≥ 3.0 V
	0.35			μs	V _{DD} < 3.0 V
Setup Time (Stop Condition), t _{SU:STO}	0.6			μs	
Data Hold Time, t _{HD:DAT} (Master)	0			μs	
Bus-Free Time (Between Stop and Start Condition), t _{BUF}	1.3			μs	

¹ Sample tested during initial release to ensure compliance.

² All input signals are specified with input rise/fall times = 3 ns, measured between the 10% and 90% points. Timing reference points at 50% for inputs and outputs. Output load = 10 pF.

Timing Diagram

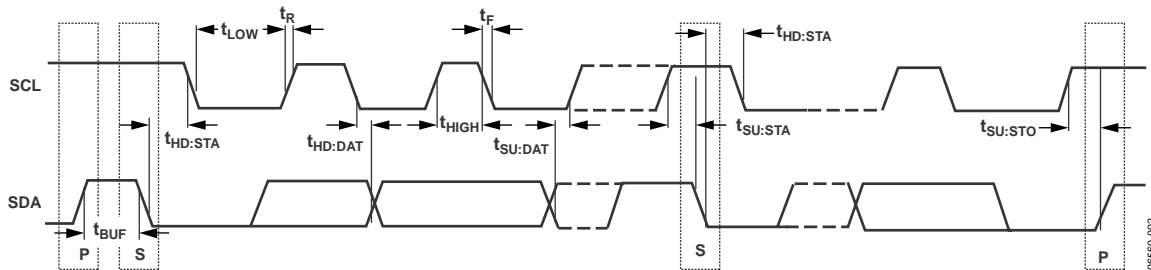


Figure 2. Serial Interface Timing Diagram

ABSOLUTE MAXIMUM RATINGS

Table 3.

Parameter	Rating
V _{DD} to GND	-0.3 V to +7 V
SDA Voltage to GND	-0.3 V to V _{DD} + 0.3 V
SCL Output Voltage to GND	-0.3 V to V _{DD} + 0.3 V
A0 Input Voltage to GND	-0.3 V to V _{DD} + 0.3 V
A1 Input Voltage to GND	-0.3 V to V _{DD} + 0.3 V
CT and INT Output Voltage to GND	-0.3 V to V _{DD} + 0.3 V
ESD Rating (Human Body Model)	2.0 kV
Operating Temperature Range	-55°C to +150°C
Storage Temperature Range	-65°C to +160°C
Maximum Junction Temperature, T _{JMAX}	150°C
8-Lead SOIC-N (R-8)	
Power Dissipation ¹	$W_{MAX} = (T_{JMAX} - T_A)^2 / \theta_{JA}$
Thermal Impedance ³	
θ _{JA} , Junction-to-Ambient (Still Air)	121°C/W
θ _{JC} , Junction-to-Case	56°C/W
IR Reflow Soldering	220°C
Peak Temperature (RoHS-Compliant Package)	260°C (0°C)
Time at Peak Temperature	20 sec to 40 sec
Ramp-Up Rate	3°C/sec maximum
Ramp-Down Rate	-6°C/sec maximum
Time from 25°C to Peak Temperature	8 minutes maximum

¹ Values relate to package being used on a standard 2-layer PCB. This gives a worst-case θ_{JA} and θ_{JC}. See Figure 3 for a plot of maximum power dissipation vs. ambient temperature (T_A).

² T_A = ambient temperature.

³ Junction-to-case resistance is applicable to components featuring a preferential flow direction, for example, components mounted on a heat sink. Junction-to-ambient is more useful for air-cooled, PCB-mounted components.

Stresses at or above those listed under Absolute Maximum Ratings may cause permanent damage to the product. This is a stress rating only; functional operation of the product at these or any other conditions above those indicated in the operational section of this specification is not implied. Operation beyond the maximum operating conditions for extended periods may affect product reliability.

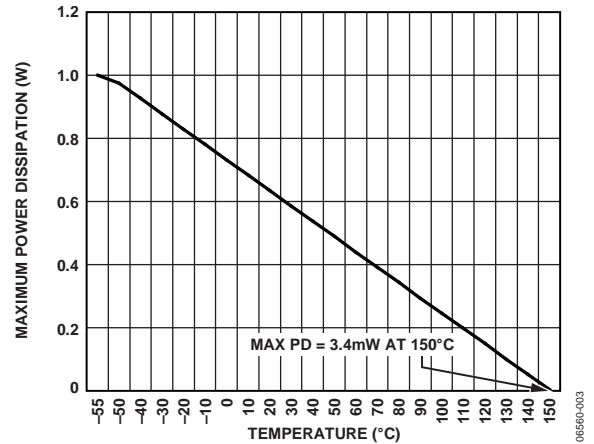


Figure 3. SOIC_N Maximum Power Dissipation vs. Temperature

ESD CAUTION



ESD (electrostatic discharge) sensitive device.

Charged devices and circuit boards can discharge without detection. Although this product features patented or proprietary protection circuitry, damage may occur on devices subjected to high energy ESD. Therefore, proper ESD precautions should be taken to avoid performance degradation or loss of functionality.

PIN CONFIGURATIONS AND FUNCTION DESCRIPTIONS

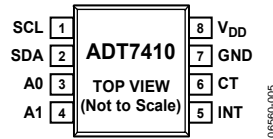


Figure 4. Pin Configuration

Table 4. Pin Function Descriptions

Pin No.	Mnemonic	Description
1	SCL	I ² C Serial Clock Input. The serial clock is used to clock in and clock out data to and from any register of the ADT7410. Open-drain configuration. A pull-up resistor is required, typically 10 k Ω .
2	SDA	I ² C Serial Data Input/Output. Serial data to and from the part is provided on this pin. Open-drain configuration. A pull-up resistor is required, typically 10 k Ω .
3	A0	I ² C Serial Bus Address Selection Pin. Logic input. Connect to GND or V _{DD} to set an I ² C address.
4	A1	I ² C Serial Bus Address Selection Pin. Logic input. Connect to GND or V _{DD} to set an I ² C address.
5	INT	Overtemperature and Undertemperature Indicator. Logic output. Power-up default setting is as an active low comparator interrupt. Open-drain configuration. A pull-up resistor is required, typically 10 k Ω .
6	CT	Critical Overtemperature Indicator. Logic output. Power-up default polarity is active low. Open-drain configuration. A pull-up resistor is required, typically 10 k Ω .
7	GND	Analog and Digital Ground.
8	V _{DD}	Positive Supply Voltage (2.7 V to 5.5 V). Decouple the supply with a 0.1 μ F ceramic capacitor to ground.

TYPICAL PERFORMANCE CHARACTERISTICS

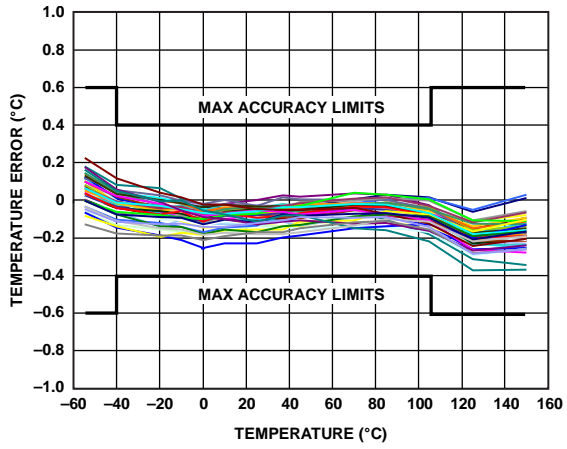


Figure 5. Temperature Accuracy at 3 V

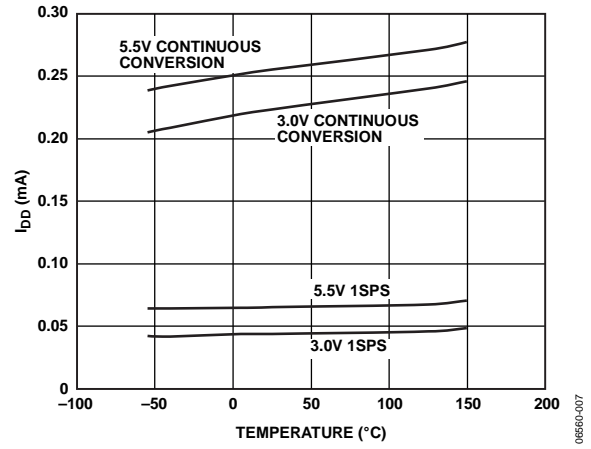


Figure 7. Operating Supply Current vs. Temperature

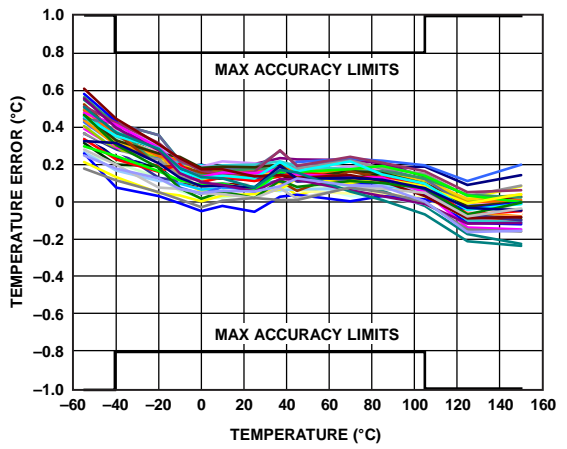


Figure 6. Temperature Accuracy at 5 V

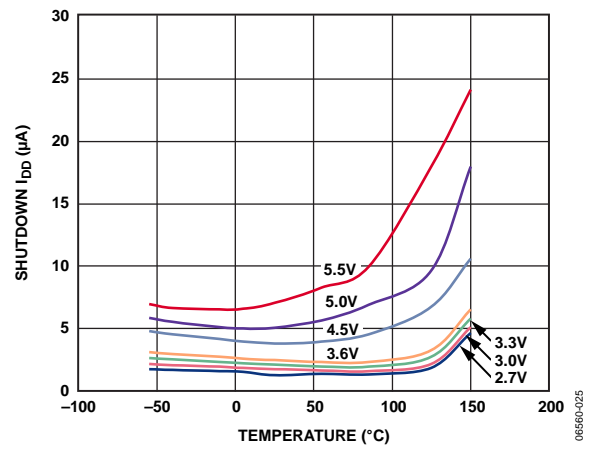


Figure 8. Shutdown Current vs. Temperature

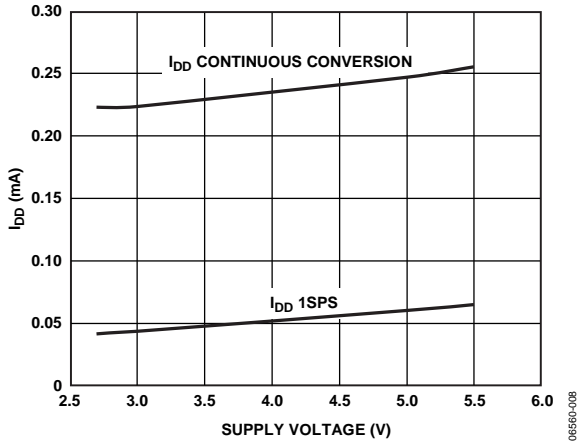


Figure 9. Average Operating Supply Current vs. Supply Voltage at 25°C

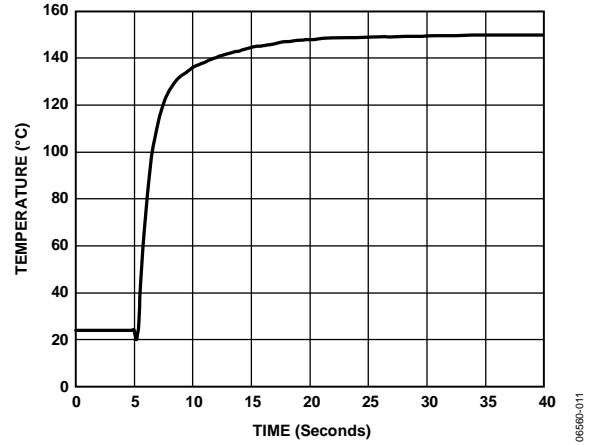


Figure 11. Response to Thermal Shock

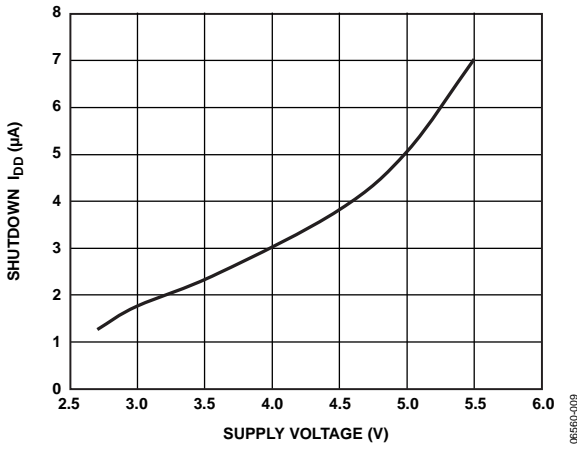


Figure 10. Shutdown Current vs. Supply Voltage at 25°C

THEORY OF OPERATION

CIRCUIT INFORMATION

The ADT7410 is a 13-bit digital temperature sensor that is extendable to 16 bits for greater resolution. An on-board temperature sensor generates a voltage proportional to absolute temperature, which is compared to an internal voltage reference and input to a precision digital modulator.

The on-board temperature sensor has excellent accuracy and linearity over the entire rated temperature range without needing correction or calibration by the user.

The sensor output is digitized by a Σ - Δ modulator, also known as the charge balance type analog-to-digital converter. This type of converter uses time domain oversampling and a high accuracy comparator to deliver 16 bits of resolution in an extremely compact circuit.

Configuration register functions consist of

- Switching between 13-bit and 16-bit resolution
- Switching between normal operation and full power-down
- Switching between comparator and interrupt event modes on the INT and CT pins
- Setting the active polarity of the CT and INT pins
- Setting the number of faults that activate CT and INT
- Enabling the standard one-shot mode and 1 SPS mode

CONVERTER DETAILS

The Σ - Δ modulator consists of an input sampler, a summing network, an integrator, a comparator, and a 1-bit DAC. This architecture creates a negative feedback loop and minimizes the integrator output by changing the duty cycle of the comparator output in response to input voltage changes. The comparator samples the output of the integrator at a much higher rate than the input sampling frequency. This oversampling spreads the quantization noise over a much wider band than that of the input signal, improving overall noise performance and increasing accuracy.

The modulated output of the comparator is encoded using a circuit technique that results in I²C temperature data.

TEMPERATURE MEASUREMENT

In normal mode, the ADT7410 runs an automatic conversion sequence. During this automatic conversion sequence, a conversion takes 240 ms to complete and the ADT7410 is continuously converting. This means that as soon as one temperature conversion is completed, another temperature conversion begins. Each temperature conversion result is stored in the temperature value registers and is available through the I²C interface. In continuous conversion mode, the read operation provides the most recent converted result.

On power-up, the first conversion is a fast conversion, taking typically 6 ms. If the temperature exceeds 147°C, the CT pin asserts low. If the temperature exceeds 64°C, the INT pin asserts low. Fast conversion temperature accuracy is typically within $\pm 5^\circ\text{C}$.

The conversion clock for the part is generated internally. No external clock is required except when reading from and writing to the serial port.

The measured temperature value is compared with a critical temperature limit (stored in the 16-bit T_{CRIT} setpoint read/write register), a high temperature limit (stored in the 16-bit T_{HIGH} setpoint read/write register), and a low temperature limit (stored in the 16-bit T_{LOW} setpoint read/write register). If the measured value exceeds these limits, the INT pin is activated; and if it exceeds the T_{CRIT} limit, the CT pin is activated. The INT and CT pins are programmable for polarity via the configuration register, and the INT and CT pins are also programmable for interrupt mode via the configuration register.

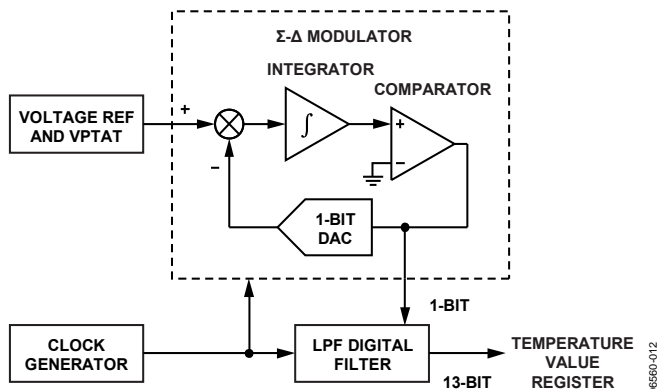


Figure 12. Σ - Δ Modulator

ONE-SHOT MODE

When one-shot mode is enabled, the ADT7410 immediately completes a conversion and then goes into shutdown mode. The one-shot mode is useful when one of the circuit design priorities is to reduce power consumption.

To enable one-shot mode, set Bits[6:5] of the configuration register (Register Address 0x03) to 01.

After writing to the operation mode bits, wait at least 240 ms before reading back the temperature from the temperature value register. This delay ensures that the ADT7410 has adequate time to power up and complete a conversion.

To obtain an updated temperature conversion, reset Bits[6:5] of the configuration register (Register Address 0x03) to 01.

1 SPS MODE

In this mode, the part performs one measurement per second. A conversion takes only 60 ms, and it remains in the idle state for the remaining 940 ms period. This mode is enabled by writing 1 to Bit 6 and 0 to Bit 5 of the configuration register (Register Address 0x03).

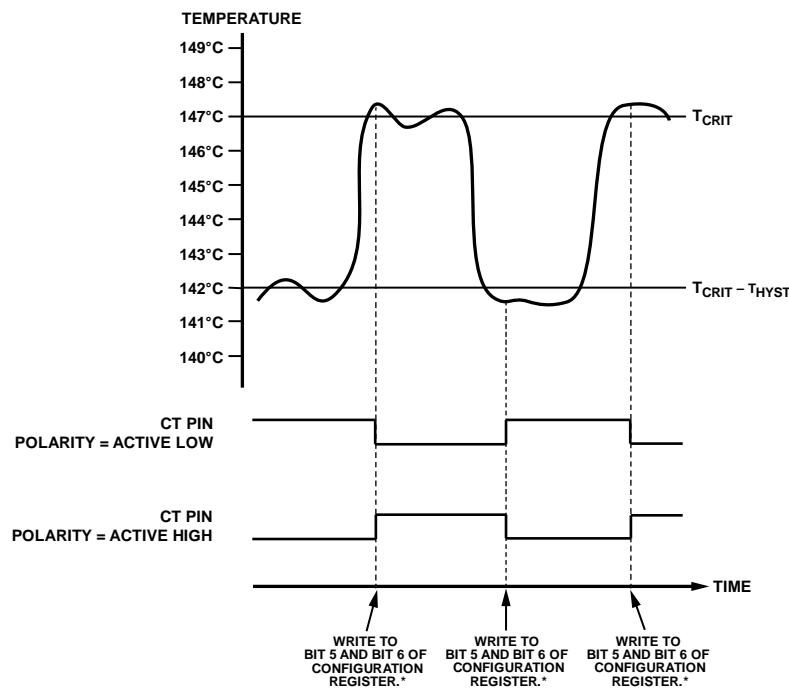
CT and INT Operation in One-Shot Mode

See Figure 13 for more information on one-shot CT pin operation for T_{CRIT} overtemperature events when one of the limits is exceeded. Note that in interrupt mode, a read from any register resets the INT and CT pins.

For the INT pin in the comparator mode, if the temperature drops below the $T_{HIGH} - T_{HYST}$ value or goes above the $T_{LOW} + T_{HYST}$ value, a write to the one-shot bits (Bit 5 and Bit 6 of the configuration register, Register Address 0x03) resets the INT pin.

For the CT pin in the comparator mode, if the temperature drops below the $T_{CRIT} - T_{HYST}$ value, a write to the one-shot bits (Bit 5 and Bit 6 of the configuration register, Register Address 0x03) resets the CT pin. See Figure 13.

Note that when using one-shot mode, ensure that the refresh rate is appropriate to the application being used.



*THERE IS A 240ms DELAY BETWEEN WRITING TO THE CONFIGURATION REGISTER TO START A STANDARD ONE-SHOT CONVERSION AND THE CT PIN GOING ACTIVE. THIS IS DUE TO THE CONVERSION TIME. THE DELAY IS 60ms IN THE CASE OF A 1 SPS CONVERSION.

06960-013

Figure 13. One-Shot CT Pin

SHUTDOWN

The ADT7410 can be placed in shutdown mode by writing 1 to Bit 6 and 1 to Bit 5 of the configuration register (Register Address 0x03), in which case the entire IC is shut down and no further conversions are initiated until the ADT7410 is taken out of shutdown mode. The ADT7410 can be taken out of shutdown mode by writing 0 to Bit 6 and 0 to Bit 5 in the configuration register (Register Address 0x03). The ADT7410 typically takes 1 ms (with a 0.1 μ F decoupling capacitor) to come out of shutdown mode. The conversion result from the last conversion prior to shutdown can still be read from the ADT7410 even when it is in shutdown mode. When the part is taken out of shutdown mode, the internal clock is started and a conversion is initiated.

FAULT QUEUE

Bit 0 and Bit 1 of the configuration register (Register Address 0x03) are used to set up a fault queue. The queue can facilitate up to four fault events to prevent false tripping of the INT and CT pins when the ADT7410 is used in a noisy temperature environment. The number of faults set in the queue must occur consecutively to set the INT and CT outputs. For example, if the number of faults set in the queue is four, then four consecutive temperature conversions must occur with each result exceeding a temperature limit in any of the limit registers before the INT and CT pins are activated. If two consecutive temperature conversions exceed a temperature limit and the third conversion does not, the fault count is reset back to zero.

TEMPERATURE DATA FORMAT

One LSB of the ADC corresponds to 0.0625°C in 13-bit mode. The ADC can theoretically measure a temperature range of 255°C, but the ADT7410 is guaranteed to measure a low value temperature limit of -55°C to a high value temperature limit of +150°C. The temperature measurement result is stored in the 16-bit temperature value register and is compared with the high temperature limits stored in the T_{CRIT} setpoint register and the T_{HIGH} setpoint register. It is also compared with the low temperature limit stored in the T_{LOW} setpoint register.

Temperature data in the temperature value register, the T_{CRIT} setpoint register, the T_{HIGH} setpoint register, and the T_{LOW} setpoint register are represented by a 13-bit twos complement word. The MSB is the temperature sign bit. The three LSBs, Bit 0 to Bit 2, on power-up, are not part of the temperature conversion result and are flag bits for T_{CRIT}, T_{HIGH}, and T_{LOW}. Table 5 shows the 13-bit temperature data format without Bit 0 to Bit 2.

The number of bits in the temperature data-word can be extended to 16 bits, twos complement, by setting Bit 7 to 1 in the configuration register (Register Address 0x03). When using a 16-bit temperature data value, Bit 0 to Bit 2 are not used as flag bits and are, instead, the LSB bits of the temperature value. The power-on default setting has a 13-bit temperature data value.

Reading back the temperature from the temperature value register requires a 2-byte read. Designers that use a 9-bit temperature data format can still use the ADT7410 by ignoring the last four LSBs of the 13-bit temperature value. These four LSBs are Bit 6 to Bit 3 in Table 5.

Table 5. 13-Bit Temperature Data Format

Temperature	Digital Output (Binary) Bits[15:3]	Digital Output (Hex)
-55°C	1 1100 1001 0000	0x1C90
-50°C	1 1100 1110 0000	0x1CE0
-25°C	1 1110 0111 0000	0x1E70
-0.0625°C	1 1111 1111 1111	0x1FFF
0°C	0 0000 0000 0000	0x000
+0.0625°C	0 0000 0000 0001	0x001
+25°C	0 0001 1001 0000	0x190
+50°C	0 0011 0010 0000	0x320
+125°C	0 0111 1101 0000	0x7D0
+150°C	0 1001 0110 0000	0x960

TEMPERATURE CONVERSION FORMULAS

16-Bit Temperature Data Format

$$\text{Positive Temperature} = \text{ADC Code (dec)}/128$$

$$\text{Negative Temperature} = (\text{ADC Code (dec)} - 65,536)/128$$

where ADC Code uses all 16 bits of the data byte, including the sign bit.

$$\text{Negative Temperature} = (\text{ADC Code (dec)} - 32,768)/128$$

where Bit 15 (sign bit) is removed from the ADC code.

13-Bit Temperature Data Format

$$\text{Positive Temperature} = \text{ADC Code (dec)}/16$$

$$\text{Negative Temperature} = (\text{ADC Code (dec)} - 8192)/16$$

where ADC Code uses the first 13 MSBs of the data byte, including the sign bit.

$$\text{Negative Temperature} = (\text{ADC Code (dec)} - 4096)/16$$

where Bit 15 (sign bit) is removed from the ADC code.

10-Bit Temperature Data Format

$$\text{Positive Temperature} = \text{ADC Code (dec)}/2$$

$$\text{Negative Temperature} = (\text{ADC Code (dec)} - 1024)/2$$

where ADC Code uses all 10 bits of the data byte, including the sign bit.

$$\text{Negative Temperature} = (\text{ADC Code (dec)} - 512)/2$$

where Bit 9 (sign bit) is removed from the ADC code.

9-Bit Temperature Data Format

$$\text{Positive Temperature} = \text{ADC Code (dec)}$$

$$\text{Negative Temperature} = \text{ADC Code (dec)} - 512$$

where ADC Code uses all nine bits of the data byte, including the sign bit.

$$\text{Negative Temperature} = \text{ADC Code (dec)} - 256$$

where Bit 8 (sign bit) is removed from the ADC code.

REGISTERS

The ADT7410 contains 14 registers:

- Nine temperature registers
- A status register
- An ID register
- A configuration register
- An address pointer register
- A software reset

All registers are eight bits wide. The temperature value registers, the status register, and the ID register are read-only. The software reset is a write-only register. On power-up, the address pointer register is loaded with 0x00 and points to the temperature value register MSB.

Table 6. ADT7410 Registers

Register Address	Description	Power-On Default
0x00	Temperature value most significant byte	0x00
0x01	Temperature value least significant byte	0x00
0x02	Status	0x00
0x03	Configuration	0x00
0x04	T _{HIGH} setpoint most significant byte	0x20 (64°C)
0x05	T _{HIGH} setpoint least significant byte	0x00 (64°C)
0x06	T _{LOW} setpoint most significant byte	0x05 (10°C)
0x07	T _{LOW} setpoint least significant byte	0x00 (10°C)
0x08	T _{CRIT} setpoint most significant byte	0x49 (147°C)
0x09	T _{CRIT} setpoint least significant byte	0x80 (147°C)
0x0A	T _{HYST} setpoint	0x05 (5°C)
0x0B	ID	0xCX
0x0C	Reserved	0xFF
0x0D	Reserved	0xFF
0x2E	Reserved	0xFF
0x2F	Software reset	0xFF

Table 8. Temperature Value MSB Register (Register Address 0x00)

Bit	Default Value	Type	Name	Description
[14:8]	0000000	R	Temp	Temperature value in twos complement format
15	0	R	Sign	Sign bit, indicates if the temperature value is negative or positive

Table 9. Temperature Value LSB Register (Register Address 0x01)

Bit	Default Value	Type	Name	Description
0	0	R	T _{LOW} flag/LSB0	Flags a T _{LOW} event if the configuration register, Register Address 0x03[7] = 0 (13-bit resolution), and if comparator mode is selected through the configuration register, Register Address 0x03[4]. When the temperature value is below T _{LOW} , this bit is set to 1. Contains the Least Significant Bit 0 of the 15-bit temperature value if the configuration register, Register Address 0x03[7] = 1 (16-bit resolution).
1	0	R	T _{HIGH} flag/LSB1	Flags a T _{HIGH} event if the configuration register, Register Address 0x03[7] = 0 (13-bit resolution), and if comparator mode is selected through the configuration register, Register Address 0x03[4]. When the temperature value is above T _{HIGH} , this bit is set to 1. Contains the Least Significant Bit 1 of the 15-bit temperature value if the configuration register, Register Address 0x03[7] = 1 (16-bit resolution).
2	0	R	T _{CRIT} flag/LSB2	Flags a T _{CRIT} event if the configuration register, Register Address 0x03[7] = 0 (13-bit resolution), and if comparator mode is selected through the configuration register, Register Address 0x03[4]. When the temperature value exceeds T _{CRIT} , this bit is set to 1. Contains the Least Significant Bit 2 of the 15-bit temperature value if the configuration register, Register Address 0x03[7] = 1 (16-bit resolution).
[7:3]	00000	R	Temp	Temperature value in twos complement format.

ADDRESS POINTER REGISTER

This register is always the first register written to during a write to the ADT7410. It must be set to the address of the register to which the write or read transaction is intended. Table 7 shows the register address of each register on the ADT7410. The default value of the address pointer register is 0x00.

Table 7. Address Pointer Register

P7	P6	P5	P4	P3	P2	P1	P0
ADD7	ADD6	ADD5	ADD4	ADD3	ADD2	ADD1	ADD0

TEMPERATURE VALUE REGISTERS

The temperature value most significant byte (MSB) and temperature value least significant byte (LSB) registers store the temperature measured by the internal temperature sensor. The temperature is stored in twos complement format with the MSB being the temperature sign bit. When reading from these registers, the eight MSBs (Bit 7 to Bit 15) are read first from Register Address 0x00 and then the eight LSBs (Bit 0 to Bit 7) are read from Register Address 0x01. Only the temperature value most significant byte (Register Address 0x00) needs to be loaded into the address pointer register as the address pointer auto-increments to the temperature value least significant byte address (Register Address 0x01).

Bit 0 to Bit 2 are event alarm flags for T_{CRIT}, T_{HIGH}, and T_{LOW}. When the ADC is configured to convert the temperature to a 16-bit digital value then Bit 0 to Bit 2 are no longer used as flag bits and are instead used as the LSB bits for the extended digital value.

STATUS REGISTER

This 8-bit read-only register reflects the status of the overtemperature and undertemperature interrupts that can cause the CT and INT pins to go active. It also reflects the status of a temperature conversion operation. The interrupt flags in this register are reset by a read operation to the status register and/or when the temperature value returns within the temperature limits, including hysteresis. The RDY bit is reset after a read from the

temperature value register. In one-shot and 1 SPS modes, the RDY bit is reset after a write to the one-shot bits.

CONFIGURATION REGISTER

This 8-bit read/write register stores various configuration modes for the ADT7410, including shutdown, overtemperature and undertemperature interrupts, one-shot, continuous conversion, interrupt pins polarity, and overtemperature fault queues.

Table 10. Status Register (Register Address 0x02)

Bit	Default Value	Type	Name	Description
[3:0]	0000	R	Unused	Reads back 0.
4	0	R	T _{LOW}	Set this bit to 1 when the temperature goes below the T _{LOW} temperature limit, and if comparator mode is selected through the configuration register, Register Address 0x03[4]. The bit clears to 0 when the status register is read and/or when the temperature measured goes back above the limit set in the setpoint T _{LOW} + T _{HYST} registers.
5	0	R	T _{HIGH}	Set this bit to 1 when the temperature goes above the T _{HIGH} temperature limit, and if comparator mode is selected through the configuration register, Register Address 0x03[4]. The bit clears to 0 when the status register is read and/or when the temperature measured goes back below the limit set in the setpoint T _{HIGH} – T _{HYST} registers.
6	0	R	T _{CRIT}	Set this bit to 1 when the temperature goes above the T _{CRIT} temperature limit, and if comparator mode is selected through the configuration register, Register Address 0x03[4]. This bit clears to 0 when the status register is read and/or when the temperature measured goes back below the limit set in the setpoint T _{CRIT} – T _{HYST} registers.
7	1	R	RDY	This bit goes low when the temperature conversion result is written into the temperature value register. It is reset to 1 when the temperature value register is read. In one-shot and 1 SPS modes, this bit is reset after a write to the one-shot bits.

Table 11. Configuration Register (Register Address 0x03)

Bit	Default Value	Type	Name	Description
[1:0]	00	R/W	Fault queue	These two bits set the number of undertemperature/overtemperature faults that can occur before setting the INT and CT pins. This helps to avoid false triggering due to temperature noise. 00 = 1 fault (default). 01 = 2 faults. 10 = 3 faults. 11 = 4 faults.
2	0	R/W	CT pin polarity	This bit selects the output polarity of the CT pin. 0 = active low. 1 = active high.
3	0	R/W	INT pin polarity	This bit selects the output polarity of the INT pin. 0 = active low. 1 = active high.
4	0	R/W	INT/CT mode	This bit selects between comparator mode and interrupt mode. 0 = interrupt mode 1 = comparator mode
[6:5]	00	R/W	Operation mode	These two bits set the operational mode for the ADT7410. 00 = continuous conversion (default). When one conversion is finished, the ADT7410 starts another. 01 = one shot. Conversion time is typically 240 ms. 10 = 1 SPS mode. Conversion time is typically 60 ms. This operational mode reduces the average current consumption. 11 = shutdown. All circuitry except interface circuitry is powered down.
7	0	R/W	Resolution	This bit sets up the resolution of the ADC when converting. 0 = 13-bit resolution. Sign bit + 12 bits gives a temperature resolution of 0.0625°C. 1 = 16-bit resolution. Sign bit + 15 bits gives a temperature resolution of 0.0078°C.

T_{HIGH} SETPOINT REGISTERS

The T_{HIGH} setpoint MSB and T_{HIGH} setpoint LSB registers store the overtemperature limit value. An overtemperature event occurs when the temperature value stored in the temperature value register exceeds the value stored in this register. The INT pin is activated if an overtemperature event occurs. The temperature is stored in twos complement format with the MSB being the temperature sign bit.

When reading from this register, the eight MSBs (Bit 15 to Bit 8) are read first from Register Address 0x04 and then the eight LSBs (Bit 7 to Bit 0) are read from Register Address 0x05. Only Register Address 0x04 (T_{HIGH} setpoint MSB) needs to be loaded into the address pointer register as the address pointer auto-increments to Register Address 0x05 (T_{HIGH} setpoint LSB).

The default setting for the T_{HIGH} setpoint is 64°C.

T_{LOW} SETPOINT REGISTERS

The T_{LOW} setpoint MSB and T_{LOW} setpoint LSB registers store the undertemperature limit value. An undertemperature event occurs when the temperature value stored in the temperature value register is less than the value stored in this register. The INT pin is activated if an undertemperature event occurs. The temperature is stored in twos complement format with the MSB being the temperature sign bit.

When reading from this register, the eight MSBs (Bit 15 to Bit 8) are read first from Register Address 0x06 and then the eight LSBs (Bit 7 to Bit 0) are read from Register Address 0x07. Only the Register Address 0x06 (T_{LOW} setpoint MSB) needs to be loaded into the address pointer register as the address pointer auto-increments to Register Address 0x07 (T_{LOW} setpoint LSB).

The default setting for the T_{LOW} setpoint is 10°C.

T_{CRIT} SETPOINT REGISTERS

The T_{CRIT} setpoint MSB and T_{CRIT} setpoint LSB registers store the critical overtemperature limit value. A critical overtemperature event occurs when the temperature value stored in the temperature value register exceeds the value stored in this register. The CT pin is activated if a critical overtemperature event occurs. The temperature is stored in twos complement format with the MSB being the temperature sign bit.

When reading from this register, the eight MSBs (Bit 15 to Bit 8) are read first from Register Address 0x08 and then the eight LSBs (Bit 7 to Bit 0) are read from Register Address 0x09. Only the Register Address 0x08 (T_{CRIT} setpoint MSB) needs to be loaded into the address pointer register as the address pointer auto-increments to Register Address 0x09 (T_{CRIT} setpoint LSB).

The default setting for the T_{CRIT} limit is 147°C.

Table 12. T_{HIGH} Setpoint MSB Register (Register Address 0x04)

Bit	Default Value	Type	Name	Description
[15:8]	0x20	R/ \overline{W}	T _{HIGH} MSB	MSBs of the overtemperature limit, stored in twos complement format.

Table 13. T_{HIGH} Setpoint LSB Register (Register Address 0x05)

Bit	Default Value	Type	Name	Description
[7:0]	0x00	R/ \overline{W}	T _{HIGH} LSB	LSBs of the overtemperature limit, stored in twos complement format.

Table 14. T_{LOW} Setpoint MSB Register (Register Address 0x06)

Bit	Default Value	Type	Name	Description
[15:8]	0x05	R/ \overline{W}	T _{LOW} MSB	MSBs of the undertemperature limit, stored in twos complement format.

Table 15. T_{LOW} Setpoint LSB Register (Register Address 0x07)

Bit	Default Value	Type	Name	Description
[7:0]	0x00	R/ \overline{W}	T _{LOW} LSB	LSBs of the undertemperature limit, stored in twos complement format.

Table 16. T_{CRIT} Setpoint MSB Register (Register Address 0x08)

Bit	Default Value	Type	Name	Description
[15:8]	0x49	R/ \overline{W}	T _{CRIT} MSB	MSBs of the critical overtemperature limit, stored in twos complement format.

Table 17. T_{CRIT} Setpoint LSB Register (Register Address 0x09)

Bit	Default Value	Type	Name	Description
[7:0]	0x80	R/ \overline{W}	T _{CRIT} LSB	LSBs of the critical overtemperature limit, stored in twos complement format.

T_{HYST} SETPOINT REGISTER

This 8-bit read/write register stores the temperature hysteresis value for the T_{HIGH}, T_{LOW}, and T_{CRIT} temperature limits. The temperature hysteresis value is stored in straight binary format using four LSBs. Increments are possible in steps of 1°C from 0°C to 15°C. The value in this register is subtracted from the T_{HIGH} and T_{CRIT} values and added to the T_{LOW} value to implement hysteresis.

ID REGISTER

This 8-bit read-only register stores the manufacturer ID in Bit 3 to Bit 7 and the silicon revision in Bit 0 to Bit 2.

Table 18. T_{HYST} Setpoint Register (Register Address 0x0A)

Bit	Default Value	Type	Name	Description
[3:0]	0101	R/ \bar{W}	T _{HYST}	Hysteresis value, from 0°C to 15°C. Stored in straight binary format. The default setting is 5°C.
[7:4]	0000	R/ \bar{W}	N/A	Not used.

Table 19. ID Register (Register Address 0x0B)

Bit	Default Value	Type	Name	Description
[2:0]	XXX	R	Revision ID	Contains the silicon revision identification number
[7:3]	11001	R	Manufacture ID	Contains the manufacturer identification number

SERIAL INTERFACE

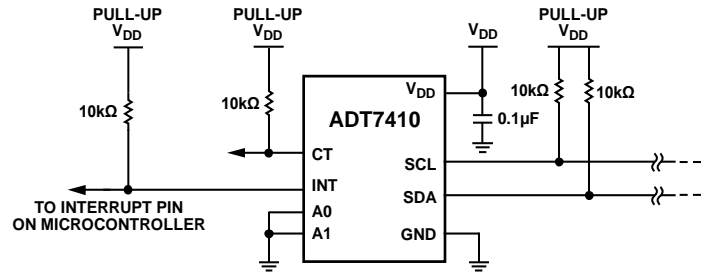


Figure 14. Typical I²C Interface Connection

Control of the ADT7410 is carried out via the I²C-compatible serial interface. The ADT7410 is connected to this bus as a slave and is under the control of a master device.

Figure 14 shows a typical I²C interface connection.

SERIAL BUS ADDRESS

Like all I²C-compatible devices, the ADT7410 has a 7-bit serial address. The five MSBs of this address for the ADT7410 are set to 10010. Pin A1 and Pin A0 set the two LSBs. These pins can be configured two ways, low and high, to give four different address options. Table 20 shows the different bus address options available. The recommended pull-up resistor value on the SDA and SCL lines is 10 kΩ.

Table 20. I²C Bus Address Options

Binary							Hex
A6	A5	A4	A3	A2	A1	A0	
1	0	0	1	0	0	0	0x48
1	0	0	1	0	0	1	0x49
1	0	0	1	0	1	0	0x4A
1	0	0	1	0	1	1	0x4B

The serial bus protocol operates as follows:

1. The master initiates data transfer by establishing a start condition, defined as a high-to-low transition on the serial data line, SDA, while the serial clock line, SCL, remains high. This indicates that an address/data stream is going to follow. All slave peripherals connected to the serial bus respond to the start condition and shift in the next eight bits, consisting of a 7-bit address (MSB first) plus a read/write (R/W) bit. The R/W bit determines whether data is written to, or read from, the slave device.

2. The peripheral with the address corresponding to the transmitted address responds by pulling the data line low during the low period before the ninth clock pulse, known as the acknowledge bit. All other devices on the bus then remain idle while the selected device waits for data to be read from or written to it. If the R/W bit is a 0, the master writes to the slave device. If the R/W bit is a 1, the master reads from the slave device.
3. Data is sent over the serial bus in sequences of nine clock pulses, eight bits of data followed by an acknowledge bit from the receiver of data. Transitions on the data line must occur during the low period of the clock signal and remain stable during the high period as a low-to-high transition when the clock is high, which can be interpreted as a stop signal.
4. When all data bytes have been read or written, stop conditions are established. In write mode, the master pulls the data line high during the 10th clock pulse to assert a stop condition. In read mode, the master device pulls the data line high during the low period before the ninth clock pulse. This is known as a no acknowledge. The master takes the data line low during the low period before the 10th clock pulse, then high during the 10th clock pulse to assert a stop condition.

It is not possible to mix read and write in one operation because the type of operation is determined at the beginning and cannot subsequently be changed without starting a new operation.

WRITING DATA

It is possible to write either a single byte of data or two bytes to the ADT7410, depending on which registers are to be written.

Writing a single byte of data requires the serial bus address, the data register address written to the address pointer register, followed by the data byte written to the selected data register. This is shown in Figure 15.

For the T_{HIGH} setpoint, T_{LOW} setpoint, and T_{CRIT} setpoint registers, it is possible to write to both the MSB and the LSB

registers in the same write transaction. Writing two bytes of data to these registers requires the serial bus address, the data register address of the MSB register written to the address pointer register, followed by the two data bytes written to the selected data register. This is shown in Figure 16.

If more than the required number of data bytes is written to a register, the register ignores these extra data bytes. To write to a different register, a start or repeated start is required.

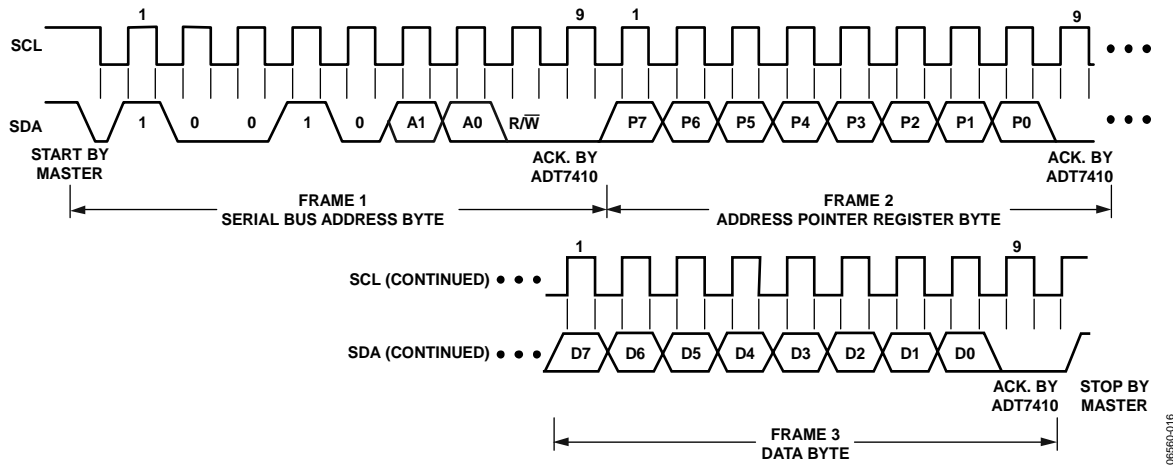


Figure 15. Writing to a Register Followed by a Single Byte of Data

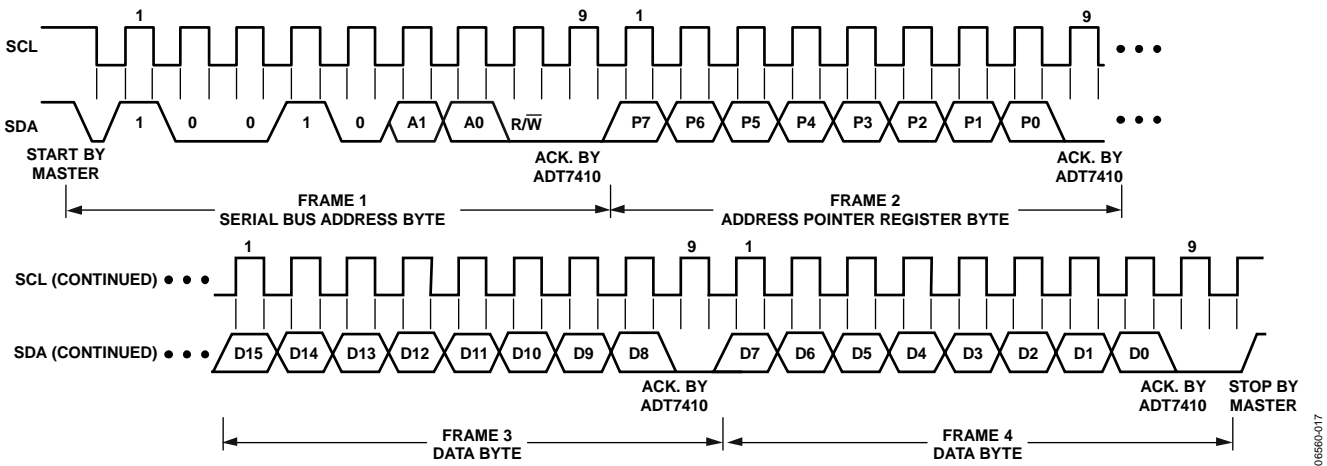


Figure 16. Writing to a Register Followed by Two Bytes of Data

READING DATA

Reading data from the ADT7410 is done in a single data byte operation for the configuration register, the status register, the T_{HYST} register, and the ID register. A two data byte read operation is needed for the temperature value register, T_{HIGH} setpoint register, T_{LOW} setpoint register, and the T_{CRIT} setpoint register. Reading back the contents of an 8-bit register similar to the configuration register is shown in Figure 17. Reading back the contents of the temperature value register is shown in Figure 18.

Reading back from any register first requires a single-byte write operation to the address pointer register to set up the address of the register that is going to be read from. In the case of reading back from the 2-byte registers, the address pointer automatically increments from the MSB register address to the LSB register address.

To read from another register, execute another write to the address pointer register to set up the relevant register address. Thus, block reads are not possible, that is, there is no I²C address pointer auto-increment except when reading back from a 16-bit register. If the address pointer register has previously been set up with the address of the register that is going to receive a read command, there is no need to repeat a write operation to set up the register address again.

RESET

To reset the ADT7410 without having to reset the entire I²C bus, an explicit reset command is provided. This uses a particular address pointer word as a command word to reset the part and upload all default settings. The ADT7410 does not respond to the I²C bus commands (do not acknowledge) during the default values upload for approximately 200 μs.

The reset command address word is 0x2F.

GENERAL CALL

When a master issues a slave address consisting of seven 0s with the eighth bit (R/W bit) set to 0, this is known as the general call address. The general call address is for addressing every device connected to the I²C bus. The ADT7410 acknowledges this address and reads in the following data byte.

If the second byte is 0x06, the ADT7410 is reset, completely uploading all default values. The ADT7410 does not respond to the I²C bus commands (do not acknowledge) while the default values upload for approximately 200 μs.

The ADT7410 does not acknowledge any other general call commands.

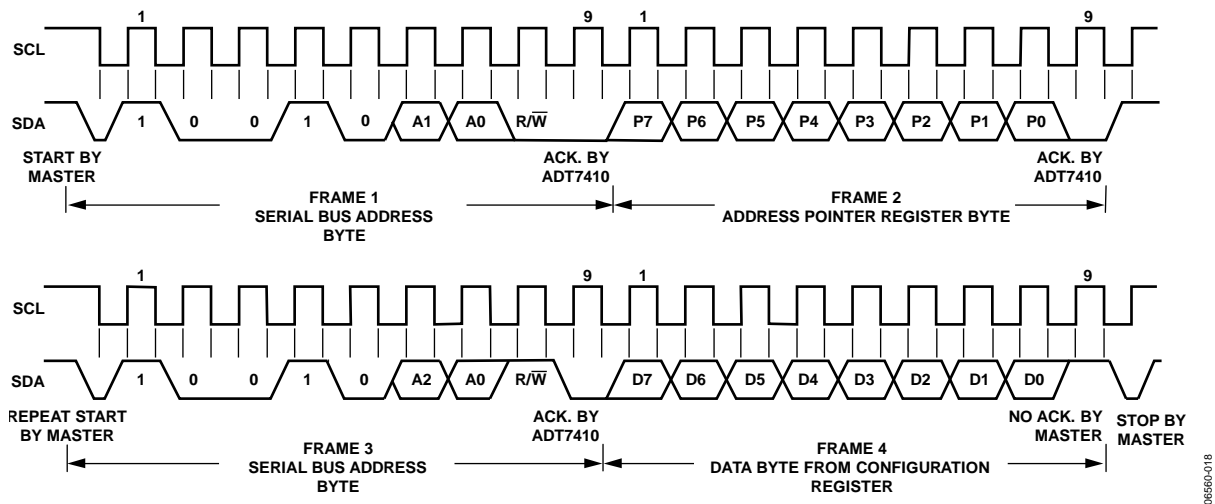
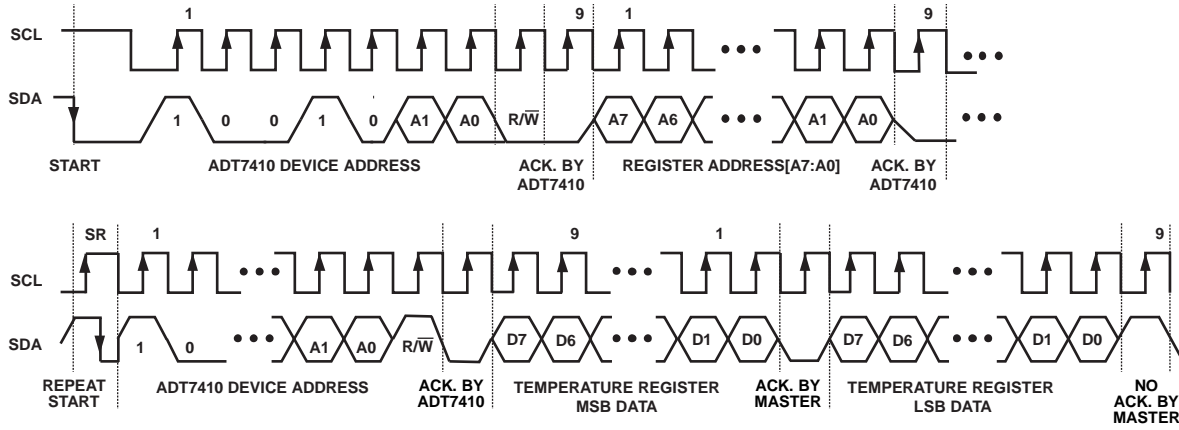


Figure 17. Reading Back Data from the Configuration Register

06560-018



NOTES

1. A START CONDITION AT THE BEGINNING IS DEFINED AS A HIGH-TO-LOW TRANSITION ON SDA WHILE SCLK REMAINS HIGH.
2. A STOP CONDITION AT THE END IS DEFINED AS A LOW-TO-HIGH TRANSITION ON SDA WHILE SCLK REMAINS HIGH.
3. THE MASTER GENERATES THE NO ACKNOWLEDGE AT THE END OF THE READBACK TO SIGNAL THAT IT DOES NOT WANT ADDITIONAL DATA.
4. TEMPERATURE REGISTER MSB DATA AND TEMPERATURE REGISTER LSB DATA ARE ALWAYS SEPARATED BY A LOW ACK BIT.
5. THE R/W BIT IS SET TO A1 TO INDICATE A READBACK OPERATION.

06560-023

Figure 18. Reading Back Data from the Temperature Value Register

INT AND CT OUTPUTS

The INT and CT pins are open-drain outputs, and both pins require a 10 kΩ pull-up resistor to V_{DD}.

UNDERTEMPERATURE AND OVERTEMPERATURE DETECTION

The INT and CT pins have two undertemperature/ overtemperature modes: comparator mode and interrupt mode. The interrupt mode is the default power-up overtemperature mode. The INT output pin becomes active when the temperature is greater than the temperature stored in the T_{HIGH} setpoint register or less than the temperature stored in the T_{LOW} setpoint register. How this pin reacts after this event depends on the overtemperature mode selected.

Figure 19 illustrates the comparator and interrupt modes for events exceeding the T_{HIGH} limit with both pin polarity settings. Figure 20 illustrates the comparator and interrupt modes for events exceeding the T_{LOW} limit with both pin polarity settings.

Comparator Mode

In comparator mode, the INT pin returns to its inactive status when the temperature drops below the T_{HIGH} - T_{HYST} limit or rises above the T_{LOW} + T_{HYST} limit.

Putting the ADT7410 into shutdown mode does not reset the INT state in comparator mode.

Interrupt Mode

In interrupt mode, the INT pin only goes inactive when the ADT7410 register is read, that is, independently, when the temperature has recovered and gotten back to within the limits before Point C, as shown in Figure 20. when the INT pin is reset, it only goes active again when the temperature goes from an overtemperature/undertemperature condition back to a temperature within the limits or vice versa.

As shown in Figure 19, the INT pin goes active when the temperature rises beyond the T_{HIGH} limit and resets the next time any register is read. When reset, it does not go active again until temperatures decrease back to below T_{HIGH} - T_{HYST} (Point A), and when reset, it goes active again when the T_{HIGH}/T_{LOW} is exceeded (Point B).

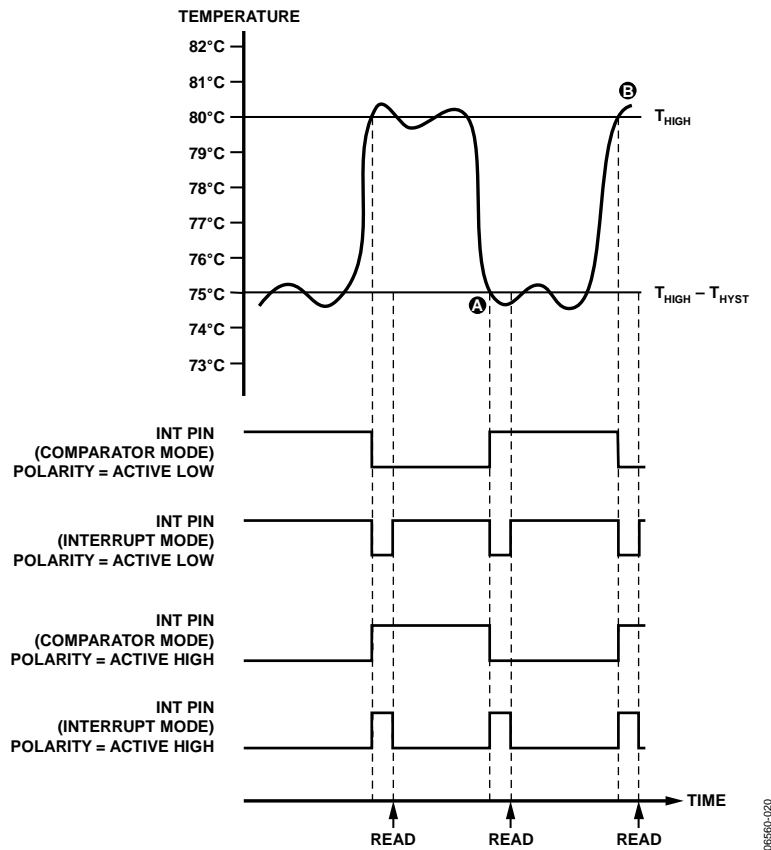


Figure 19. INT Output Temperature Response Diagram for T_{HIGH} Overtemperature Events

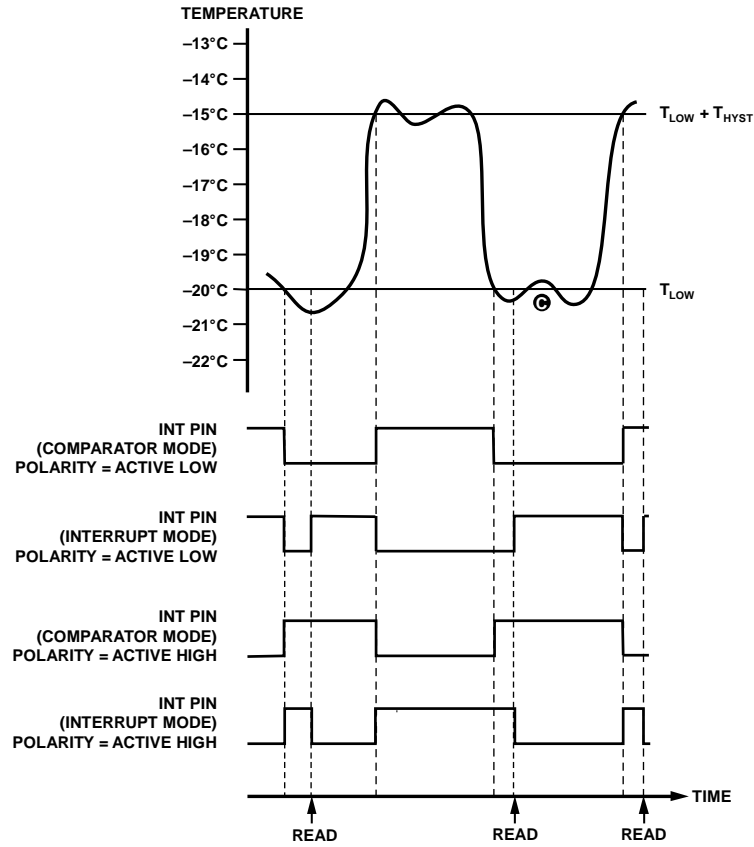


Figure 20. INT Output Temperature Response Diagram for T_{LOW} Undertemperature Events

APPLICATIONS INFORMATION

THERMAL RESPONSE TIME

The time required for a temperature sensor to settle to a specified accuracy is a function of the thermal mass of the sensor and the thermal conductivity between the sensor and the object being sensed. Thermal mass is often considered equivalent to capacitance. Thermal conductivity is commonly specified using the symbol, Q , and can be thought of as thermal resistance. It is commonly specified in units of degrees per watt of power transferred across the thermal joint. The time required for the part to settle to the desired accuracy is dependent on the thermal contact established in a particular application and the equivalent power of the heat source. In most applications, it is best to determine the settling time empirically.

SUPPLY DECOUPLING

Decouple the [ADT7410](#) with a 0.1 μF ceramic capacitor between V_{DD} and GND. This is particularly important when the [ADT7410](#) is mounted remotely from the power supply. Precision analog products, such as the [ADT7410](#), require a well-filtered power source. Because the [ADT7410](#) operates from a single supply, it might seem convenient to tap into the digital logic power supply. Unfortunately, the logic supply is often a switch-mode design, which generates noise in the 20 kHz to 1 MHz range. In addition, fast logic gates can generate glitches hundreds of millivolts in amplitude due to wiring resistance and inductance.

If possible, the power [ADT7410](#) directly from the system power supply. This arrangement, shown in Figure 21, isolates the analog section from the logic switching transients. Even if a separate power supply trace is not available, generous supply bypassing reduces supply-line induced errors. Local supply bypassing consisting of a 0.1 μF ceramic capacitor is critical for the temperature accuracy specifications to be achieved. This decoupling capacitor must be placed as close as possible to the V_{DD} pin of the [ADT7410](#).

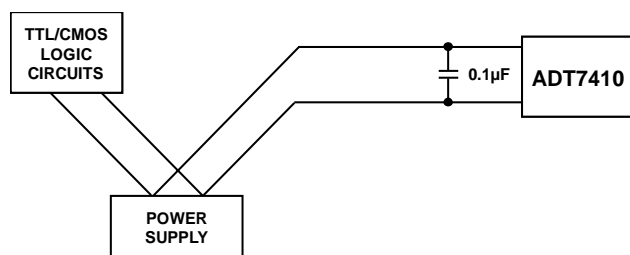


Figure 21. Use of Separate Traces to Reduce Power Supply Noise

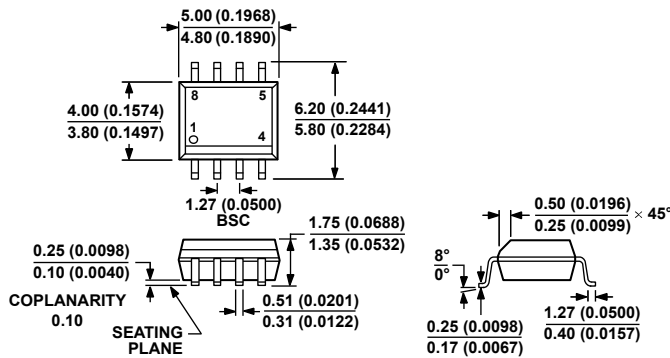
TEMPERATURE MONITORING

The [ADT7410](#) is ideal for monitoring the thermal environment within electronic equipment. For example, the surface-mounted package accurately reflects the exact thermal conditions that affect nearby integrated circuits.

The [ADT7410](#) measures and converts the temperature at the surface of its own semiconductor chip. When the [ADT7410](#) is used to measure the temperature of a nearby heat source, the thermal impedance between the heat source and the [ADT7410](#) must be considered.

When the thermal impedance is determined, the temperature of the heat source can be inferred from the [ADT7410](#) output. As much as 60% of the heat transferred from the heat source to the thermal sensor on the [ADT7410](#) die is discharged via the copper tracks, the package pins, and the bond pads. Of the pins on the [ADT7410](#), the GND pin transfers most of the heat. Therefore, to measure the temperature of a heat source, it is recommended that the thermal resistance between the GND pin of the [ADT7410](#) and the GND of the heat source be reduced as much as possible.

OUTLINE DIMENSIONS



COMPLIANT TO JEDEC STANDARDS MS-012-AA
 CONTROLLING DIMENSIONS ARE IN MILLIMETERS; INCH DIMENSIONS
 (IN PARENTHESES) ARE ROUNDED-OFF MILLIMETER EQUIVALENTS FOR
 REFERENCE ONLY AND ARE NOT APPROPRIATE FOR USE IN DESIGN.

Figure 22. 8-Lead Standard Small Outline Package [SOIC_N]
 Narrow Body
 (R-8)

Dimensions shown in millimeters and (inches)

012407-A

ORDERING GUIDE

Model ¹	Temperature Range	Temperature Accuracy ²	Package Description	Package Option
ADT7410TRZ	-55°C to +150°C	±0.5°C	8-Lead Standard Small Outline Package [SOIC_N]	R-8
ADT7410TRZ-REEL	-55°C to +150°C	±0.5°C	8-Lead Standard Small Outline Package [SOIC_N]	R-8
ADT7410TRZ-REEL7	-55°C to +150°C	±0.5°C	8-Lead Standard Small Outline Package [SOIC_N]	R-8
EVAL-ADT7X10EBZ			Evaluation Board	

¹ Z = RoHS Compliant Part.

² Maximum accuracy over the -40°C to +105°C temperature range.

¹²C refers to a communications protocol originally developed by Philips Semiconductors (now NXP Semiconductors).