

Evaluation Board for Dual, High Speed Op Amps Offered in 8-Lead SOIC Packages

FEATURES

- Enables quick breadboarding/prototyping
- User-defined circuit configuration
- Edge-mounted SMA connector provisions
- Easy connection to test equipment and other circuits
- RoHS compliant

GENERAL DESCRIPTION

The Analog Devices, Inc., 8-lead SOIC package, dual, high speed evaluation board is designed to help customers quickly prototype new dual op amp circuits and reduce design time. The evaluation board can be used with almost any Analog Devices dual op amp in various configurations and applications. The evaluation board is a bare board (that is, there are no components or amplifier soldered to the board; these must be ordered separately). Figure 1 shows the component side of the evaluation board, and Figure 2 shows the circuit side of the evaluation board.

This evaluation board is a 6-layer PCB, designed to provide internal, wideband, power supply bypassing without the use of

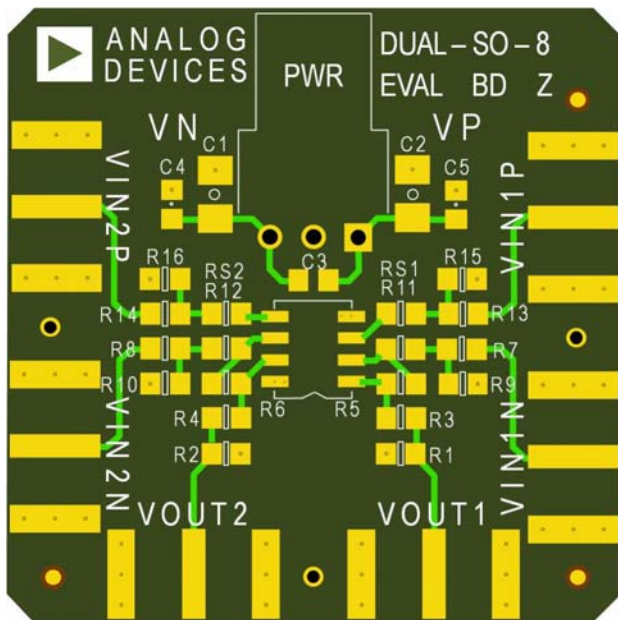
external capacitors. The close spacing between the VCC supply plane (Layer 3) and the inner ground plane (Layer 4) provides the necessary capacitance to bypass the VCC supply. Similarly, the close spacing between the inner ground layer (Layer 4) and the VEE supply plane (Layer 5) provides the necessary capacitance to bypass the VEE supply.

The evaluation board components are primarily SMT 0603 case size, with the exception of the electrolytic bypass capacitors (C1, C2), which are 1206 case size.

Two options are available for supply bypassing. The first option is to use the internal interplanar capacitance. No external bypass capacitors are required. Capacitors C1 to C5 can be left off the board. If additional supply bypassing is required, C1 and C2 can accommodate 1206 tantalum or nonpolarized capacitors. C3, C4, and C5 accommodate 0603 capacitors.

Figure 3 shows the evaluation board schematic. Figure 4 and Figure 5 show the evaluation board assembly drawings.

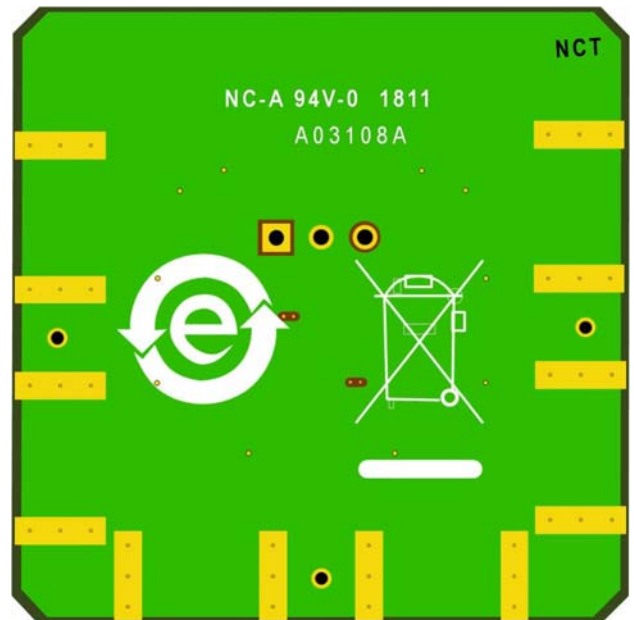
EVALUATION BOARD COMPONENT AND CIRCUIT SIDES



NOTES
1. THE EVALUATION BOARD SILKSCREEN PART NUMBER LABELING ON YOUR BOARD MAY BE DIFFERENT FROM WHAT IS SHOWN HERE.

Figure 1. Component Side of Evaluation Board

08982C-001



NOTES
1. THE EVALUATION BOARD SILKSCREEN PART NUMBER LABELING ON YOUR BOARD MAY BE DIFFERENT FROM WHAT IS SHOWN HERE.

Figure 2. Circuit Side of Evaluation Board

08982C-002

TABLE OF CONTENTS

Features	1	Evaluation Board Schematic and Assembly Drawings.....	3
General Description	1	Evaluation Board Layer Stackup.....	4
Evaluation Board Component and Circuit Sides	1	Ordering Information.....	5
Revision History	2	Bill of Materials.....	5

REVISION HISTORY

8/11—Rev. A to Rev. B

Changes to General Description Section, Figure 1, and Figure 2	1
Changed Evaluation Board Schematic Section to Evaluation Board Schematic and Assembly Drawings Section.....	3
Changes to Figure 3, Figure 4, and Figure 5.....	3
Deleted Figure 6 and Figure 7; Renumbered Sequentially.....	4
Added Evaluation Board Layer Stackup Section.....	4
Added Figure 6; Renumbered Sequentially	4
Changes to Table 1.....	5

4/11—Rev. 0 to Rev. A

Changes to Product Title, General Description Section, Figure 1 and Figure 2.....	1
Changed Evaluation Board Schematic and Artwork Section to Evaluation Board Schematic Section	3
Added Evaluation Board Assembly Drawings and Layout Patterns Section	4
Changes to Figure 4 through Figure 7	4

4/10—Revision 0: Initial Version

EVALUATION BOARD SCHEMATIC AND ASSEMBLY DRAWINGS

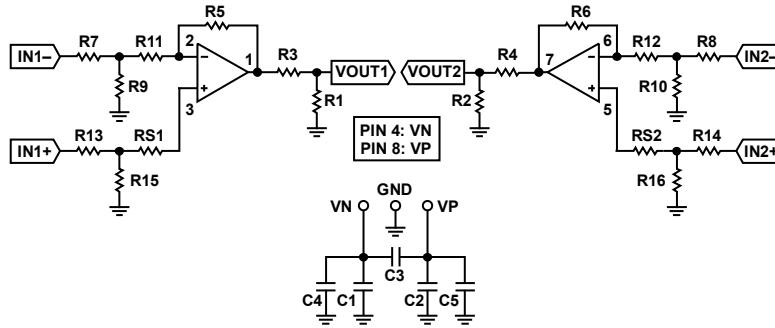


Figure 3. Evaluation Board Schematic

08982-003

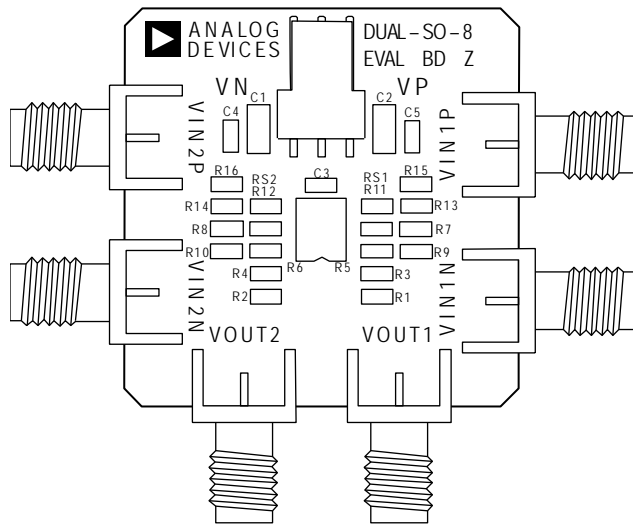


Figure 4. Component Side Assembly Drawing

08982-004

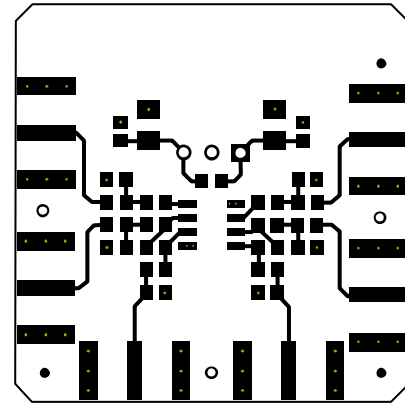
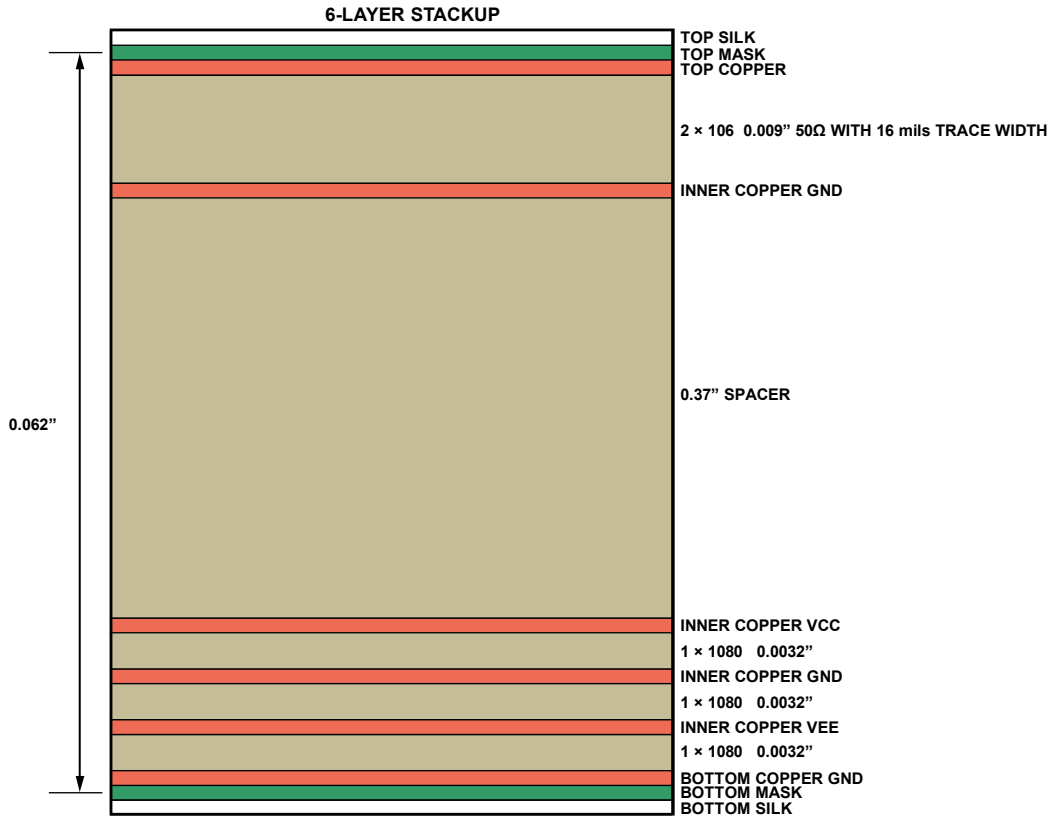


Figure 5. Component Side Copper

08982-005

EVALUATION BOARD LAYER STACKUP



081892-006

Figure 6. Evaluation Board Stackup

ORDERING INFORMATION**BILL OF MATERIALS**

Table 1.

Quantity	Reference Designator	Description	Package
1	PWR	Power connector	0.1 inch spacing
2	C1, C2	10 μ F capacitor	C1206
3	C3, C4, C5	User-defined capacitor	C0603
1	DUT	Device	8-lead SOIC
6	VIN1P, VIN2P, VIN1N, VIN2N, VOUT1, VOUT2	SMA/SMT	SMA/SMT
18	R1 to R16, RS1, RS2	User-defined resistor	R0603

NOTES

NOTES

NOTES

**ESD Caution**

ESD (electrostatic discharge) sensitive device. Charged devices and circuit boards can discharge without detection. Although this product features patented or proprietary protection circuitry, damage may occur on devices subjected to high energy ESD. Therefore, proper ESD precautions should be taken to avoid performance degradation or loss of functionality.

Legal Terms and Conditions

By using the evaluation board discussed herein (together with any tools, components documentation or support materials, the "Evaluation Board"), you are agreeing to be bound by the terms and conditions set forth below ("Agreement") unless you have purchased the Evaluation Board, in which case the Analog Devices Standard Terms and Conditions of Sale shall govern. Do not use the Evaluation Board until you have read and agreed to the Agreement. Your use of the Evaluation Board shall signify your acceptance of the Agreement. This Agreement is made by and between you ("Customer") and Analog Devices, Inc. ("ADI"), with its principal place of business at One Technology Way, Norwood, MA 02062, USA. Subject to the terms and conditions of the Agreement, ADI hereby grants to Customer a free, limited, personal, temporary, non-exclusive, non-sublicensable, non-transferable license to use the Evaluation Board FOR EVALUATION PURPOSES ONLY. Customer understands and agrees that the Evaluation Board is provided for the sole and exclusive purpose referenced above, and agrees not to use the Evaluation Board for any other purpose. Furthermore, the license granted is expressly made subject to the following additional limitations: Customer shall not (i) rent, lease, display, sell, transfer, assign, sublicense, or distribute the Evaluation Board; and (ii) permit any Third Party to access the Evaluation Board. As used herein, the term "Third Party" includes any entity other than ADI, Customer, their employees, affiliates and in-house consultants. The Evaluation Board is NOT sold to Customer; all rights not expressly granted herein, including ownership of the Evaluation Board, are reserved by ADI. CONFIDENTIALITY. This Agreement and the Evaluation Board shall all be considered the confidential and proprietary information of ADI. Customer may not disclose or transfer any portion of the Evaluation Board to any other party for any reason. Upon discontinuation of use of the Evaluation Board or termination of this Agreement, Customer agrees to promptly return the Evaluation Board to ADI. ADDITIONAL RESTRICTIONS. Customer may not disassemble, decompile or reverse engineer chips on the Evaluation Board. Customer shall inform ADI of any occurred damages or any modifications or alterations it makes to the Evaluation Board, including but not limited to soldering or any other activity that affects the material content of the Evaluation Board. Modifications to the Evaluation Board must comply with applicable law, including but not limited to the RoHS Directive. TERMINATION. ADI may terminate this Agreement at any time upon giving written notice to Customer. Customer agrees to return to ADI the Evaluation Board at that time. LIMITATION OF LIABILITY. THE EVALUATION BOARD PROVIDED HEREUNDER IS PROVIDED "AS IS" AND ADI MAKES NO WARRANTIES OR REPRESENTATIONS OF ANY KIND WITH RESPECT TO IT. ADI SPECIFICALLY DISCLAIMS ANY REPRESENTATIONS, ENDORSEMENTS, GUARANTEES, OR WARRANTIES, EXPRESS OR IMPLIED, RELATED TO THE EVALUATION BOARD INCLUDING, BUT NOT LIMITED TO, THE IMPLIED WARRANTY OF MERCHANTABILITY, TITLE, FITNESS FOR A PARTICULAR PURPOSE OR NON-INFRINGEMENT OF INTELLECTUAL PROPERTY RIGHTS. IN NO EVENT WILL ADI AND ITS LICENSORS BE LIABLE FOR ANY INCIDENTAL, SPECIAL, INDIRECT, OR CONSEQUENTIAL DAMAGES RESULTING FROM CUSTOMER'S POSSESSION OR USE OF THE EVALUATION BOARD, INCLUDING BUT NOT LIMITED TO LOST PROFITS, DELAY COSTS, LABOR COSTS OR LOSS OF GOODWILL. ADI'S TOTAL LIABILITY FROM ANY AND ALL CAUSES SHALL BE LIMITED TO THE AMOUNT OF ONE HUNDRED US DOLLARS (\$100.00). EXPORT. Customer agrees that it will not directly or indirectly export the Evaluation Board to another country, and that it will comply with all applicable United States federal laws and regulations relating to exports. GOVERNING LAW. This Agreement shall be governed by and construed in accordance with the substantive laws of the Commonwealth of Massachusetts (excluding conflict of law rules). Any legal action regarding this Agreement will be heard in the state or federal courts having jurisdiction in Suffolk County, Massachusetts, and Customer hereby submits to the personal jurisdiction and venue of such courts. The United Nations Convention on Contracts for the International Sale of Goods shall not apply to this Agreement and is expressly disclaimed.