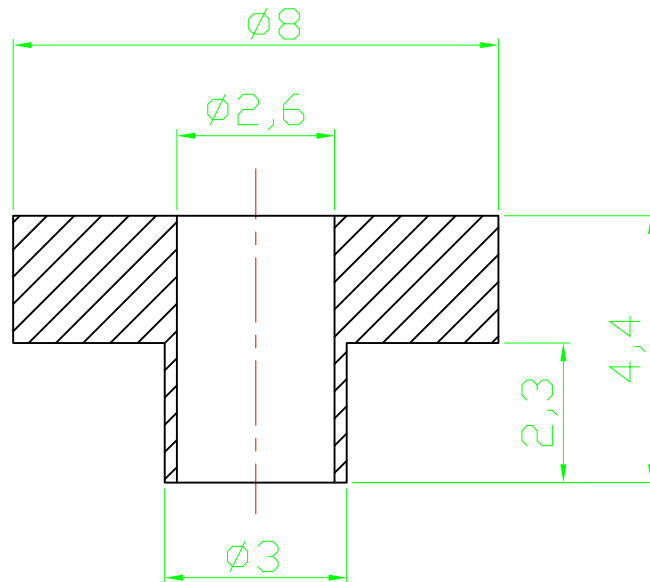



RoHS compliant



Notes
 Material:SR25
 Dielectric strength: 380kV/cm
 Heat resistance:215°C
 Tensile strength: 80N/mm

| | | | | | | | | | |
|-----------|-----|-----|-----------------------|------------|----------|---|------|---------------------------------|-------|
| Scale | 1:1 | | | | | Date | Name | Customer-No. | |
| TOLERANCE | | | | | Drawn | 20.08.2009 | Dean | ASSMANN WSW-No. V5817 | |
| X. | ±X | | | | Approved | 10.03.2010 | Andy | | |
| X.X | ±X | | | | | | | | |
| X.XX | ±X | | | | | | | | |
| DIM | TOL | ② | Modify drawing layout | 10.03.2010 | Andy |  | | Drawing-No. | |
| X.° | ±X° | | | | | | | ASS 0489A HS | rev02 |
| X.X° | ±X° | ① | Drawn | 20.08.2009 | Dean | | | Replace | Sheet |
| Angle | TOL | Id. | Modification | Date | Name | | | | |

1

2

3

4

5

6

7