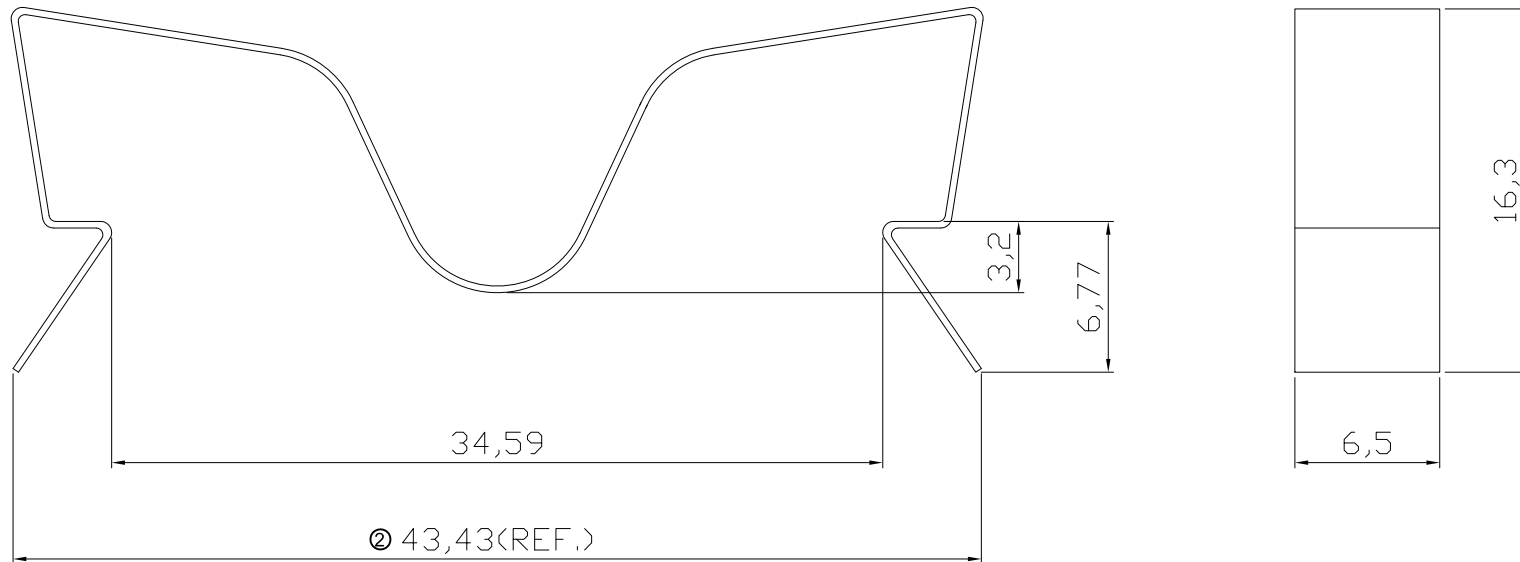


②



Material :SUS 301 T=0.5mm
 ② Finish: Clean

RoHS compliant
 Unit: mm

Scale	Free						Date	Name	Customer-No.	
TOLERANCE						Drawn	16.12.2009	Rale		
UNIT	±0.3					Approved	18.03.2013	Amy	ASSMANN WSW-No.	
									V06HK-T	
DIM	TOL	②	Update	18.03.2013	Amy	ASSMANN WSW components		Drawing-No.		
X.°	±3°	①	Drawn	16.12.2009	Rale			ASS 0944 HS	rev02	
Angle	TOL	Id.	Modification	Date	Name	Replace		Sheet		

1

2

3

4

5

6

7

A

B

C

D

E

F

G

H

A

B

C

D

E

F

G

H

1

2

3

4

5

6

7