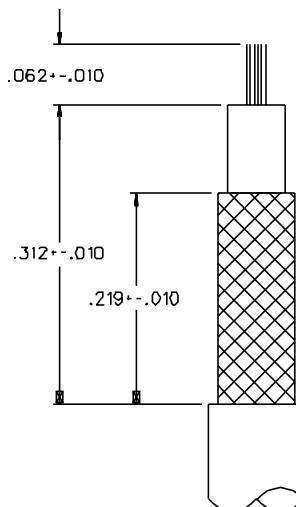
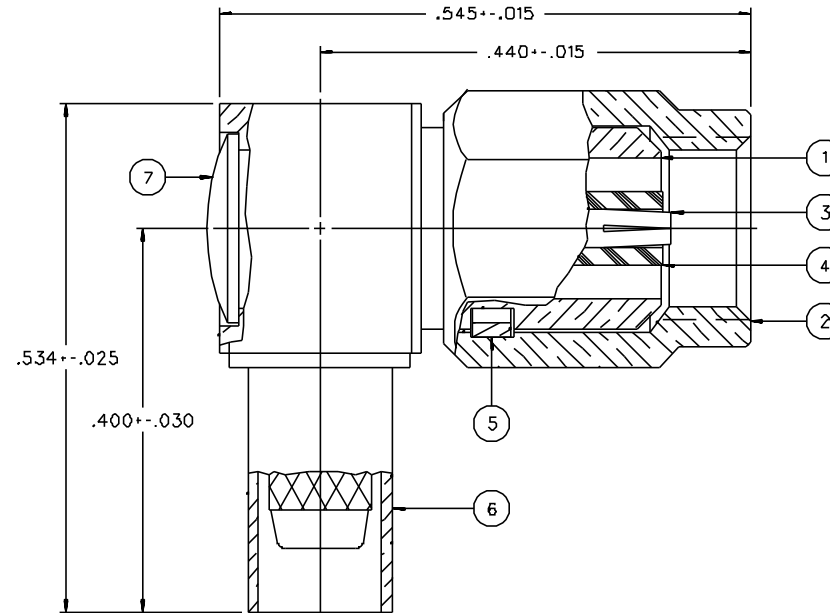


PART NUMBER	ITEM ① BODY	ITEM ② NUT	ITEM ③ CONTACT	ITEM ④ INSULATOR	ITEM ⑤ SPRING	ITEM ⑥ CRIMP SLEEVE	ITEM ⑦ END CAP
131-64D3-101	BRASS GOLD PL .00001 MIN OVER NICKEL PL .00005 MIN OVER COPPER PL .00005 MIN	BRASS GOLD PL .00001 MIN OVER NICKEL PL .00005 MIN OVER COPPER PL .00005 MIN	BERYLLIUM COPPER GOLD PL .00003 MIN OVER NICKEL PL .00005 MIN OVER COPPER PL .00005 MIN	TEFLON	BERYLLIUM COPPER	COPPER GOLD PL .00001 MIN OVER NICKEL PL .00005 MIN OVER COPPER PL .00005 MIN	BRASS GOLD PL .00001 MIN OVER NICKEL PL .00005 MIN OVER COPPER PL .00005 MIN
131-64D3-106	BRASS NICKEL PL .0001 MIN OVER COPPER PL .00005 MIN	BRASS NICKEL PL .0001 MIN OVER COPPER PL .00005 MIN	BERYLLIUM COPPER GOLD PL .00003 MIN OVER NICKEL PL .00005 MIN OVER COPPER PL .00005 MIN	TEFLON	BERYLLIUM COPPER	COPPER NICKEL PL .0001 MIN OVER COPPER PL .00005 MIN	BRASS NICKEL PL .0001 MIN OVER COPPER PL .00005 MIN

DRAWING NO. C - 131-6403-101/110	
0 REVISIONS	
ENGINEERING RELEASE	
01 03-31-89	E J B B 4-12-89 ECO 23935
CHANGED: UPDATED GRAPHICS, RF LEAK 2.5 GHZ WAS 2 TO 3 GHZ, RF HIGH POT 4 & 7 MHZ WAS 5 MHZ.	
* REVISION NUMBER FOLLOWED BY AN ALPHA *	
* CHARACTER INDICATES DRAWING CLARIFICATION OR PART NUMBER ADDITION ONLY. *	
10 12-20-94	R H B B ECN 42968



CABLE STRIP DIMENSIONS

NOTES:

1. SPECIFICATIONS:

IMPEDANCE: 50 OHMS
 FREQUENCY RANGE: 0-10 GHZ
 VSWR: 1.30 +/- .04 F (F IN GHZ)
 WORKING VOLTAGE: 335 VRMS MAX AT SEA LEVEL
 DIELECTRIC WITHSTANDING VOLTAGE: 1000 VRMS MIN AT SEA LEVEL
 INSULATION RESISTANCE: 1000 MEGOHM MIN
 CONTACT RESISTANCE:
 CENTER CONTACT - INITIAL 12 MILLIOHM MAX, AFTER ENVIRONMENTAL 16 MILLIOHM MAX
 OUTER CONDUCTOR - GOLD PLATED INITIAL 1 MILLIOHM MAX, AFTER ENVIRONMENTAL NOT APPLICABLE
 NICKEL PLATED INITIAL 2.5 MILLIOHM MAX, AFTER ENVIRONMENTAL NOT APPLICABLE
 BRAID TO BODY - INITIAL 1 MILLIOHM MAX, AFTER ENVIRONMENTAL NOT APPLICABLE
 CORONA LEVEL: 250 VOLTS MEN AT 70,000 FEET
 INSERTION LOSS: .50 DB MAX AT 4 GHZ
 RF LEAKAGE: -60 DB MIN AT 2.5 GHZ
 RF HIGH POTENTIAL WITHSTANDING VOLTAGE: 700 VRMS AT 4 AND 7 MHZ

MECHANICAL:

ENGAGE/DISENGAGE TORQUE: 16 OUNCE-INCH MAX
 MATING TORQUE: 35-50 OUNCE INCH
 COUPLING PROOF TORQUE: 100 OUNCE-INCH MIN
 COUPLING NUT RETENSION: 35 LBS MIN
 CONTACT RETENSION: 4 LBS MIN AXIAL FORCE
 CABLE ACCEPTABILITY: RG188/U, RG316/U, RG179A/U, RG174/U, RG161/U, RG187/U,
 CABLE HEX CRIMP SIZE: .12B
 CABLE RETENSION: 20 LBS MIN OR CABLE BREAKING STRENGTH
 DURABILITY: 500 CYCLES MIN

ENVIRONMENTAL:

(MEETS OR EXCEEDS THE APPLICABLE PARAGRAPH OF MIL-C-39012)
 THERMAL SHOCK: MIL-STD-202, METHOD 107, CONDITION B
 OPERATING TEMPERATURE: -65 DEG C TO 165 DEG C
 CORROSION: MIL-STD-202, METHOD 101, CONDITION B
 SHOCK: MIL-STD-202, METHOD 213, CONDITION C
 VIBRATION: MIL-STD-202, METHOD 204, CONDITION D

CUSTOMER DRAWING

THIS DRAWING TO BE INTERPRETED PER ANSI Y 14.5M - 1982

"μSTATION"

COMPANY CONFIDENTIAL

TOLERANCE UNLESS OTHERWISE SPECIFIED	DRAWN BY EJ	DATE 12-13-86	JOHNSON CINDY CONNECTIVITY SOLUTIONS 299 JOHNSON AVE. STE. 100 WASECA, MN 56093 1-800-247-8256	
DECIMALS .XX	CHECKED BY	DATE	TITLE PLUG ASSEMBLY RA CABLED SMC, RG 316	
.XXX	APPROVED BY LCS	DATE 3-31-89	CODE NO.	DRAWING NO. C - 131-6403-101/110
MATL	APPROVED BY RJB	DATE 3-31-89	SCALE 10:1	U/N INCH SHEET 2 OF 2
FINISH	RELEASE DATE	4-12-89		