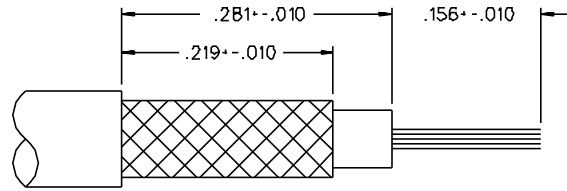
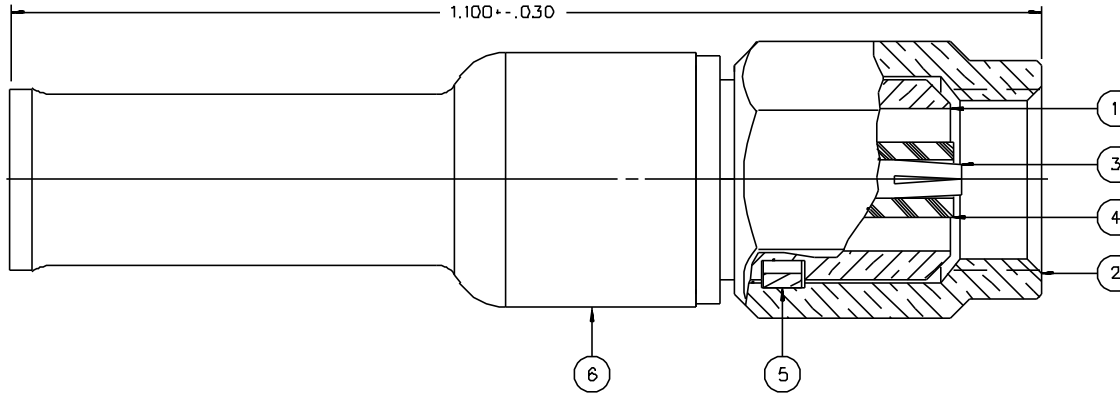


PART NUMBER	ITEM ① BODY	ITEM ② NUT	ITEM ③ CONTACT	ITEM ④ INSULATOR	ITEM ⑤ SPRING	ITEM ⑥ CRIMP SLEEVE
131-64D4-001	BRASS GOLD PL .00001 MIN OVER NICKEL PL .00005 MIN OVER COPPER PL .00005 MIN	BRASS GOLD PL .00001 MIN OVER NICKEL PL .00005 MIN OVER COPPER PL .00005 MIN	BERYLLIUM COPPER GOLD PL .00003 MIN OVER NICKEL PL .00005 MIN OVER COPPER PL .00005 MIN	TEFLON	BERYLLIUM COPPER UNPLATED	COPPER GOLD PL .00001 MIN OVER NICKEL PL .00005 MIN OVER COPPER PL .00005 MIN
131-64D4-006	BRASS NICKEL PL .0001 MIN OVER COPPER PL .00005 MIN	BRASS NICKEL PL .0001 MIN OVER COPPER PL .00005 MIN	BERYLLIUM COPPER GOLD PL .00003 MIN OVER NICKEL PL .00005 MIN OVER COPPER PL .00005 MIN	TEFLON	BERYLLIUM COPPER UNPLATED	COPPER NICKEL PL .0001 MIN OVER COPPER PL .00005 MIN

DRAWING NO. C - 131-6404-001/010	
0	REVISIONS
ENGINEERING RELEASE	
1	7-22-92 R Y H P A 7-28-92 ECO 4136
VERSION UPDATE	
* REVISION NUMBER FOLLOWED BY AN ALPHA * * CHARACTER INDICATES DRAWING CLASS * * CATION OR PART NUMBER ADDITION ONLY *	
1a	12-14-94 R H B B B ECN 42969



CABLE STRIP DIMENSIONS

NOTES:

1. SPECIFICATIONS:

IMPEDANCE: 50 OHMS  
 FREQUENCY RANGE: 0-10 GHZ  
 VSWR: 1.20 +/- .04 F (F IN GHZ)  
 WORKING VOLTAGE: 335 VRMS MAX AT SEA LEVEL  
 DIELECTRIC WITHSTANDING VOLTAGE: 1000 VRMS MIN AT SEA LEVEL  
 INSULATION RESISTANCE: 1000 MEGOHM MIN  
 CONTACT RESISTANCE:  
 CENTER CONTACT - INITIAL 6 MILLIOHM MAX, AFTER ENVIRONMENTAL 8 MILLIOHM MAX  
 OUTER CONDUCTOR - GOLD PLATED INITIAL 1 MILLIOHM MAX, AFTER ENVIRONMENTAL - NOT APPLICABLE  
 NICKEL PLATED INITIAL 2.5 MILLIOHM MAX, AFTER ENVIRONMENTAL - NOT APPLICABLE  
 BRAID TO BODY - INITIAL 1 MILLIOHM MAX(GOLD PLATED) INITIAL 2.5 MILLIOHM MAX (NICKEL PLATED) AFTER ENVIRONMENTAL NOT APPLICABLE  
 CORONA LEVEL: 250 VOLTS MIN AT 70,000 FEET  
 INSERTION LOSS: .25 DB MAX AT 4 GHZ  
 RF LEAKAGE: -60 DB MIN AT 2.5 GHZ  
 RF HIGH POTENTIAL WITHSTANDING VOLTAGE: 700 VRMS AT 4 MHZ AND 7 MHZ

MECHANICAL:

ENGAGE/DISENGAGE TORQUE: 16 OUNCE-INCH MAX TORQUE  
 MATING TORQUE: 35-50 OUNCE INCH  
 COUPLING PROOF TORQUE: 100 OUNCE-INCH MIN  
 COUPLING NUT RETENTION: 35 LBS MIN  
 CONTACT RETENTION: 4 LBS MIN AXIAL FORCE  
 CABLE ACCEPTABILITY: RG316/U DOUBLE SHIELDED  
 RG188/U DOUBLE SHIELDED  
 CABLE HEX CRIMP SIZE: .151  
 CABLE RETENTION: 20 LBS MIN OR CABLE BREAKING STRENGTH  
 DURABILITY: 500 CYCLES MIN

ENVIRONMENTAL:

(MEETS OR EXCEEDS THE APPLICABLE PARAGRAPH OF MIL-C-39012)  
 THERMAL SHOCK: MIL-STD-202, METHOD 107, CONDITION B  
 OPERATING TEMPERATURE: -65 DEG C TO 165 DEG C  
 CORROSION: MIL-STD-202, METHOD 101, CONDITION B  
 SHOCK: MIL-STD-202, METHOD 213, CONDITION C  
 VIBRATION: ML-STD-202, METHOD 204, CONDITION D

CUSTOMER DRAWING

THIS DRAWING TO BE INTERPRETED PER ANSI Y 14.5M - 1982

"μSTATION"

COMPANY CONFIDENTIAL

TOLERANCE UNLESS OTHERWISE SPECIFIED	DRAWN BY VET	DATE 5-15-92	 Cinch Connectivity Solutions 299 Johnson Ave. Ste. 100 Waseca, MN 56093 1-800-247-8256	TITLE PLUG ASSEMBLY, STRAIGHT CABLED SMC, RG 316 DOUBLE SHIELDED
DECIMALS .XX	CHECKED BY	DATE 7-27-92		CODE NO.
.XXX	APPROVED BY VET	DATE 7-27-92	SCALE 10:1	U/W INCH
MATL	APPROVED BY RJB	DATE 7-27-92	SHEET 2 OF 2	
FINISH	RELEASE DATE			