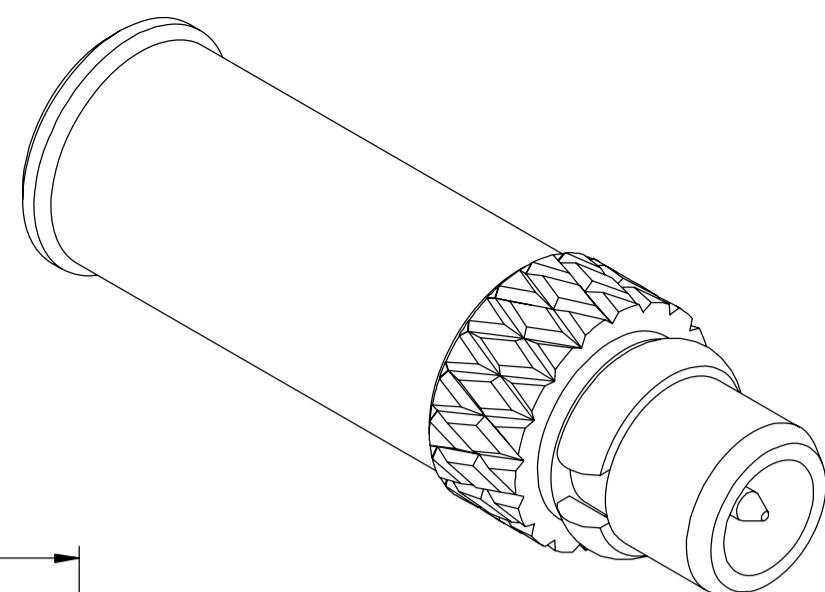
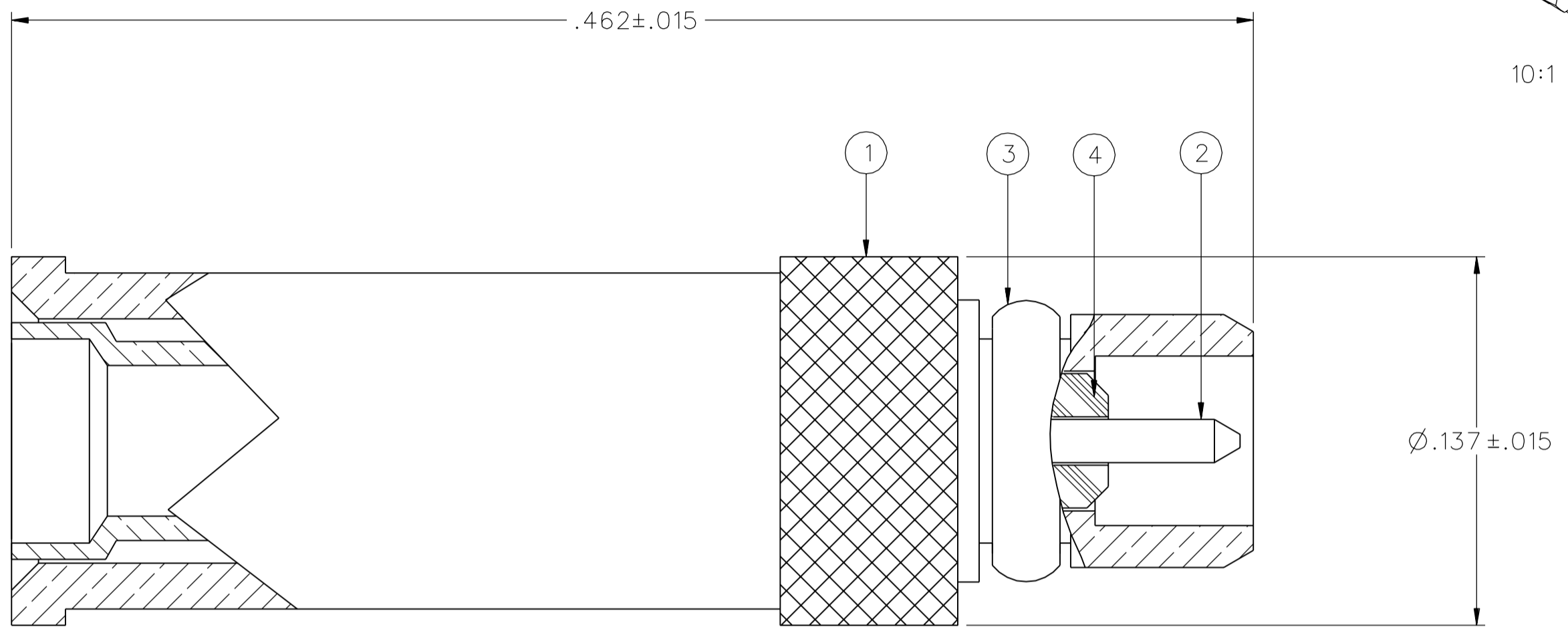


PART NUMBER 135-9402-001	ITEM ① BODY COPPER ALLOY GOLD PL .00005 MIN OVER COPPER PL .00005 MIN	ITEM ② CONTACT BERYLLIUM COPPER GOLD PL .00005 MIN OVER COPPER PL .00005 MIN	ITEM ③ INTERFACE SPRING BERYLLIUM COPPER GOLD PL .00005 MIN OVER COPPER PL .00005 MIN	ITEM ④ INSULATOR TEFLON	ITEM ⑤ CRIMP INSERT COPPER ALLOY GOLD PL .00005 MIN OVER COPPER PL .00005 MIN
-----------------------------	---	--	---	-------------------------------	---



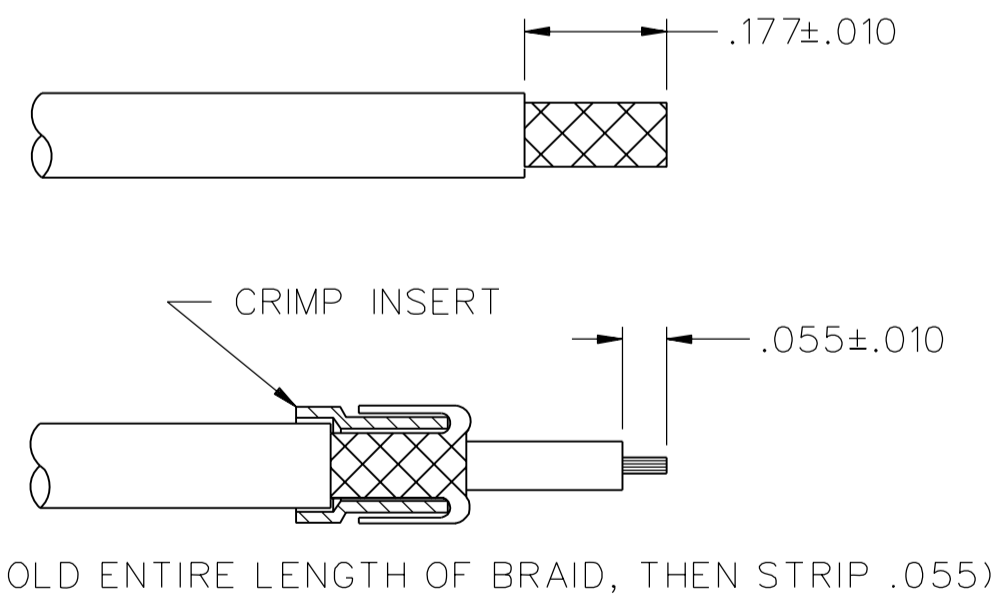
10:1



DRAWING NO. C - 135-9402-001/010					
0 REVISIONS					
ENGINEERING RELEASE					
1	9-6-07	P A T	J D S	T M J S	9-14-07 ECN 51223

NOTES:

1. SPECIFICATIONS:
- IMPEDANCE: 50 OHMS
  - FREQUENCY RANGE: 0-6 GHz
  - VSWR: 1.2 MAX (F IN GHz)
  - WORKING VOLTAGE: 170 VRMS MAX AT SEA LEVEL
  - DIELECTRIC WITHSTANDING VOLTAGE: 500 VRMS MIN AT SEA LEVEL
  - INSULATION RESISTANCE: 1000 MEGOHM MIN
  - CONTACT RESISTANCE:
    - CENTER CONTACT - INITIAL 5.0 MILLIOHM MAX, AFTER ENVIRONMENTAL 8.0 MILLIOHM MAX
    - OUTER CONDUCTOR - GOLD PLATED INITIAL 1 MILLIOHM MAX, AFTER ENVIRONMENTAL 1.5 MILLIOHM MAX
    - BODY TO BRAID - GOLD PLATED INITIAL 1.5 MILLIOHM MAX, AFTER ENVIRONMENTAL NOT APPLICABLE
  - CORONA LEVEL: 190 VOLTS MINIMUM AT 70,000 FEET
  - INSERTION LOSS: 0.1 DB MAX AT 1 GHZ
  - RF LEAKAGE: -60 DB AT 2.5 GHZ
  - RF HIGH POTENTIAL WITHSTANDING VOLTAGE: 400 VRMS AT 4 AND 7 MHZ



CABLE STRIP DIMENSIONS  
4:1

CUSTOMER DRAWING

THIS DRAWING TO BE INTERPRETED PER ASME Y 14.5M - 1994

"μSTATION"

COMPANY CONFIDENTIAL

- MECHANICAL:
- ENGAGE/DISENGAGE FORCE: 8.0 LBS MAX ENGAGEMENT  
1.4 LBS MIN DISENGAGEMENT
  - CONTACT RETENTION FORCE: 2.0 LBS MIN AXIAL FORCE
  - CONTACT RETENTION TORQUE: NOT APPLICABLE
  - COUPLING MECHANISM RETENTION: NOT APPLICABLE
  - CABLE ACCEPTABILITY: RG 178/U, RG 196/U
  - CABLE HEX CRIMP SIZE: .105 HEX X .235 WIDE
  - CABLE RETENTION: 7.0 LBS
  - DURABILITY: 500 CYCLES MIN
- ENVIRONMENTAL:
- (MEETS OR EXCEEDS THE APPLICABLE PARAGRAPH OF MIL-PRF-39012)
- THERMAL SHOCK: MIL-STD-202, METHOD 107, CONDITION C, EXCEPT -55 DEG C TO 155 DEG C
  - OPERATING TEMPERATURE: -55 DEG C TO 155 DEG C
  - CORROSION: MIL-STD-202, METHOD 101, CONDITION B
  - SHOCK: MIL-STD-202, METHOD 213, CONDITION B
  - VIBRATION: MIL-STD-202, METHOD 204, CONDITION D
  - MOISTURE: MIL-STD-202, METHOD 106

TOLERANCE UNLESS OTHERWISE SPECIFIED		DRAWN BY JDS	DATE 9-6-07
DECIMALS	mm	CHECKED BY TAK	DATE 9-14-07
.XX	_____	APPROVED BY TJS	DATE 9-14-07
.XXX ±.003	_____	RELEASE DATE	9-14-07
MATL	_____	U/M	INCH
FINISH	_____	SCALE	20:1

**cinch** Connectivity Solutions  
a bel group

Cinch Connectivity Solutions  
P.O. Box 1732  
Waseca, MN 56093  
1-800-247-8256

TITLE  
ASSEMBLY, PLUG  
STRAIGHT CABLED RG 178  
NON-MAGNETIC MMCX

SHEET 2 OF 2  
DRAWING NO.  
C - 135-9402-001/010