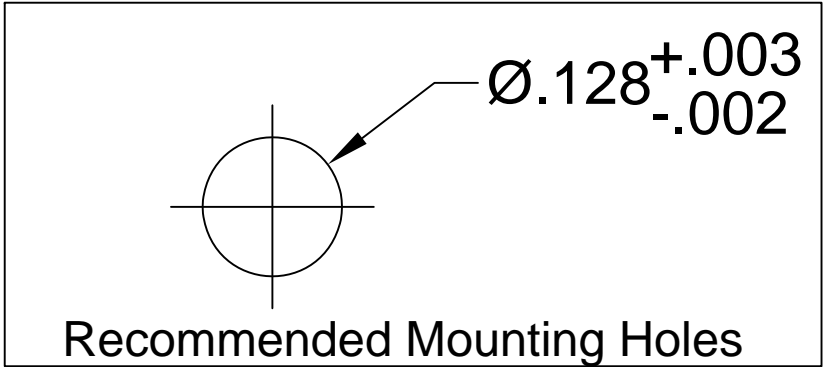
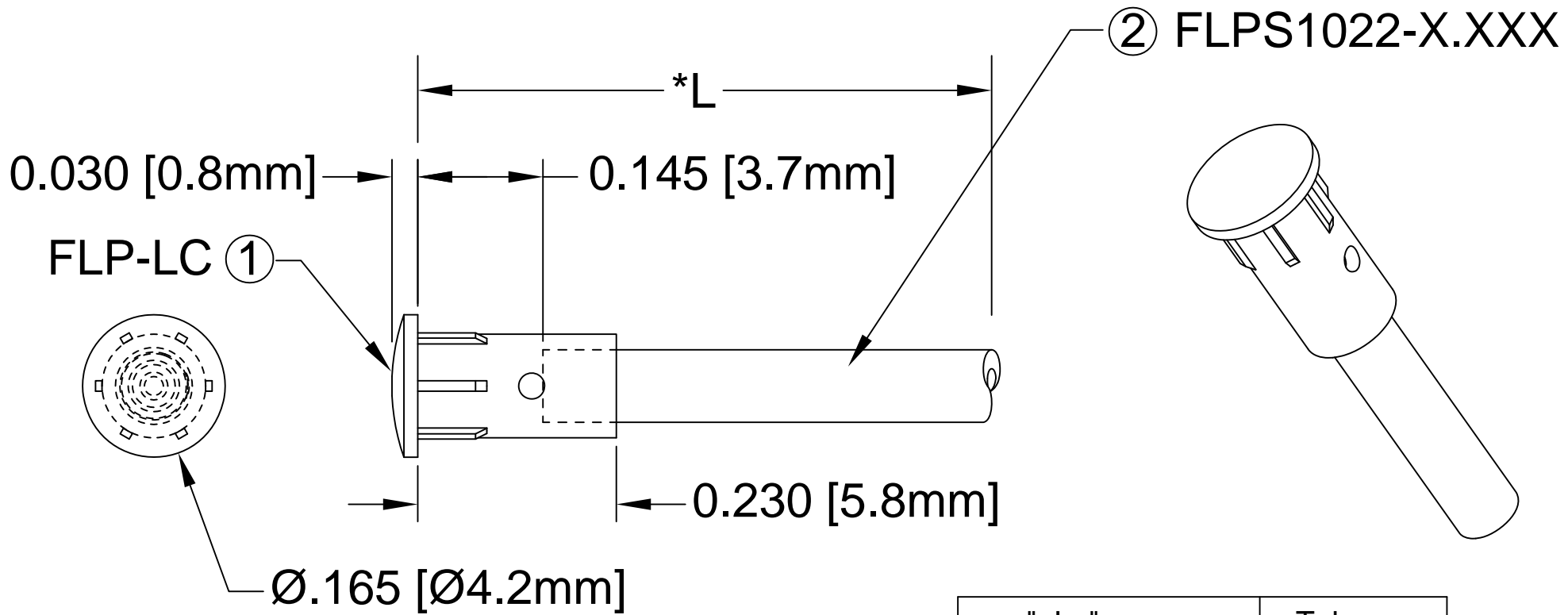



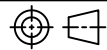
| ITEM | Q'TY | PART NUMBER | PART DESCRIPTION |
|------|------|----------------|--|
| 1 | 1 | FLP-LC | HOLDER CAP, FLEXIBLE LIGHT-PIPE |
| 2 | 1 | FLPS1022-X.XXX | LIGHT PIPE CABLE, CUT LENGTH IN INCHES |

| REV. | DESCRIPTION | DATE | APPROVED |
|------|-------------------------------------|----------|----------|
| H | FLP Length Update | 10/18/05 | M. C. |
| J | FLP Length Clarification | 01/11/06 | M. C. |
| K | Corrected "L" Dimension Measurement | 07/25/07 | M. C. |
| M | Updated Fiber In BOM | 11/14/12 | T. Y. |
| N | Added Note 2 | 10/06/16 | J. C. |



| " L " | Tolerance |
|--------------------|-----------|
| 0.750" ~ 16.000" | ±0.050" |
| 16.100" ~ 40.000" | ±0.150" |
| 40.100" ~ 80.000" | ±0.300" |
| 80.100" ~ 3,940.0" | ±0.5% |

NOTE:
 1. ALLOWABLE CUT LENGTH IS UP TO 3 DECIMAL PLACES.
 2. MINIMUM BEND RADIUS OF FLEXIBLE LIGHT PIPE: 0.87" [22mm].

| | | | | | |
|--|---------|---|--|-------------------|------------------|
| STANDARD TOLERANCE (UNLESS OTHERWISE SPECIFIED) | |  4 THOMAS, IRVINE, CA. 92618 TEL: (949) 951-8808 FAX: (949) 951-3974 | | | |
| DECIMALS | ANGULAR | | | | |
| .X ±.1 | X° ±1° |  | TITLE: LENS CAP / FLP ASSEMBLY, 4mm ROUND | | |
| .XX ±.02 | | | DESIGNED: S. Irving | DATE: 05/22/02 | PART NO: LC-XX.X |
| .XXX ±.010 | | CHECKED: M. Chen | DATE: 05/22/02 | CAGE CODE : 32559 | SHEET # 1 OF 1 |
| CAD GENERATED DOCUMENT. DO NOT MEASURE DRAWING. | | | | | |