

High Current Chokes

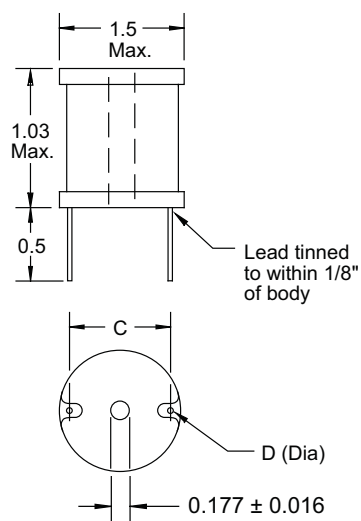
Special Features

- Very high current capacity
- Low DCR
- Epoxy coated ferrite bobbin core
- VW-1 rated shrink tubing to cover winding
- Self-leaded
- Fixed lead spacing
- Center hole for mechanical mounting
- Dielectric withstanding voltage:
2500 Vrms terminal to shrink tube cover;
1000 Vrms terminal to core
- Operating temperature -55 to +105 °C

Notes

* Rated current to cause 50 °C max. temperature rise and 5 % max. inductance drop

†RoHS Directive 2002/95/EC Jan. 27, 2003 including annex and RoHS Recast 2011/65/EU June 8, 2011.



Note: Major diameter of #6 screw = 0.138 "

Dimensions: Inches

1140 Series						
Part Number	L (µH)	DCR	I _{rms}	I _{sat}	Dim. C	Dim. D
	±20 % @ 1 KHz	Ω Max.	(A)	(A)	Approx.	Nom.
1140-1R8M-RC	1.8	0.002	34.5	80.0	1.11	0.081
1140-2R2M-RC	2.2	0.002	34.5	80.0	1.11	0.081
1140-2R7M-RC	2.7	0.003	28.1	80.0	1.11	0.081
1140-3R3M-RC	3.3	0.003	28.1	80.0	1.11	0.081
1140-3R9M-RC	3.9	0.003	28.1	80.0	1.11	0.081
1140-4R7M-RC	4.7	0.003	28.1	80.0	1.11	0.081
1140-5R6M-RC	5.6	0.004	24.4	80.0	1.11	0.081
1140-6R8M-RC	6.8	0.004	24.4	73.5	1.15	0.081
1140-8R2M-RC	8.2	0.004	24.4	70.3	1.15	0.081
± 10 %						
1140-100K-RC	10	0.005	21.8	65.3	1.15	0.081
1140-120K-RC	12	0.005	21.8	59.6	1.15	0.081
1140-150K-RC	15	0.006	19.9	53.9	1.15	0.081
1140-180K-RC	18	0.008	17.2	49.2	1.15	0.081
1140-220K-RC	22	0.009	16.2	43.7	1.15	0.081
1140-270K-RC	27	0.010	16.0	39.0	1.15	0.081
1140-330K-RC	33	0.011	15.8	36.5	1.15	0.072
1140-390K-RC	39	0.012	15.1	32.3	1.15	0.072
1140-470K-RC	47	0.018	12.3	30.6	1.15	0.072
1140-560K-RC	56	0.019	12.0	27.6	1.15	0.064
1140-680K-RC	68	0.021	11.4	25.2	1.15	0.064
1140-820K-RC	82	0.023	10.9	23.1	1.15	0.064
1140-101K-RC	100	0.025	10.5	20.6	1.15	0.064
1140-121K-RC	120	0.028	9.9	18.6	1.15	0.057
1140-151K-RC	150	0.040	8.3	16.9	1.15	0.057
1140-181K-RC	180	0.045	7.8	15.5	1.15	0.057
1140-221K-RC	220	0.050	7.4	14.0	1.15	0.051
1140-271K-RC	270	0.056	7.0	12.4	1.15	0.051
1140-331K-RC	330	0.074	6.1	11.2	1.15	0.051
1140-391K-RC	390	0.082	5.8	10.4	1.15	0.045
1140-471K-RC	470	0.114	4.9	9.5	1.15	0.045
1140-561K-RC	560	0.125	4.7	8.6	1.15	0.040
1140-681K-RC	680	0.139	4.4	7.9	1.15	0.040
1140-821K-RC	820	0.154	4.2	7.2	1.15	0.040
1140-102K-RC	1000	0.216	3.6	6.5	1.15	0.040
1140-122K-RC	1200	0.232	3.4	5.9	1.14	0.036
1140-152K-RC	1500	0.324	2.9	5.3	1.14	0.036
1140-182K-RC	1800	0.360	2.8	4.9	1.14	0.036
1140-222K-RC	2200	0.494	2.4	4.4	1.10	0.032
1140-272K-RC	2700	0.555	2.2	3.9	1.12	0.032
1140-332K-RC	3300	0.773	1.9	3.6	1.10	0.029
1140-392K-RC	3900	0.845	1.8	3.3	1.10	0.029
1140-472K-RC	4700	1.14	1.6	3.0	1.12	0.029
1140-562K-RC	5600	1.60	1.3	2.8	1.09	0.025
1140-682K-RC	6800	1.76	1.2	2.5	1.12	0.025
1140-822K-RC	8200	1.95	1.2	2.3	1.09	0.023
1140-103K-RC	10,000	2.76	1.0	2.1	1.11	0.023
1140-123K-RC	12,000	3.04	0.9	1.9	1.08	0.020
1140-153K-RC	15,000	3.39	0.9	1.7	1.10	0.020

"-RC" suffix indicates RoHS compliance.