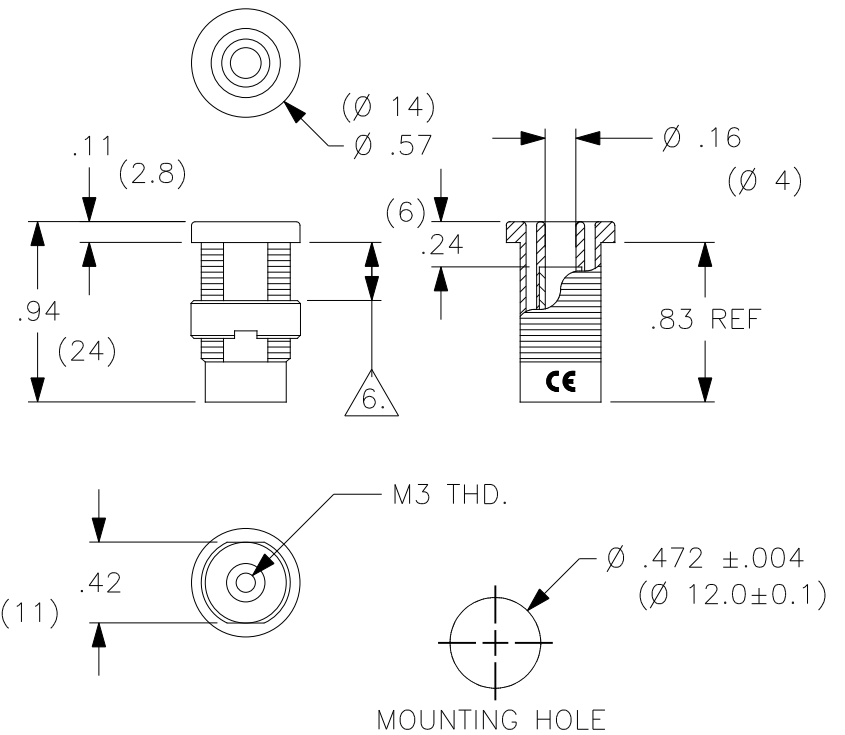


THIS IS ISSUED IN STRICT CONFIDENCE THAT IT IS NOT USED AS A BASIS FOR MANUFACTURE OR SALE AND THAT IT IS NOT COPIED, REPRINTED OR DISCLOSED TO A THIRD PARTY EITHER WHOLLY OR IN PART WITHOUT THE PRIOR WRITTEN CONSENT OF CAL TEST ELECTRONICS, INC.

- 4mm SAFETY BANANA JACK w/M3 THREADED HOLE.
- SPECIFICATIONS:  
INSULATOR: POLYAMIDE (NYLON).  
CONTACT: BRASS, NICKEL PLATED  
LOCKING NUT: BRASS, NICKEL PLATED
- RATING:  
VOLTAGE: 1,000 V CAT III/600 V CAT IV P2 (IEC61010-031)  
  
CURRENT: 36 A MAX.  
RESISTANCE: <12 mΩ.  
TEMPERATURE: -20° C TO +80° C.
- MOUNTING HOLE: REF. DIAGRAM.
- INSULATOR THREAD, M12x0.75, MAX. TORQUE 1.7 ft-lb (2.3 Nm) AT 20° C.
- MAXIMUM PANEL THICKNESS: .40 (10).
- RECOMMENDED ASSEMBLY TOOL: CT2246A.

REVISIONS			
REV.	DESCRIPTIONS	DATE	APPROVED
-	CLASS A RELEASED	7/12/99	
A	ADDED CAGE CODE	6/10/05	
B	COLOR ORANGE ADDED AS SPECIAL; REVISED NOTE 5 WITH NUT TORQUE SPECIFICATION.	6/2/09	



**PART NUMBER**

**CT2908-#**

- COLOR:
- 0 - BLACK
  - 1 - BROWN
  - 2 - RED
  - 3 - ORANGE (SPECIAL)
  - 4 - YELLOW
  - 5 - GREEN
  - 6 - BLUE
  - 7 - PURPLE
  - 8 - GRAY
  - 9 - WHITE

CONFORMITY TO RoHS 2002/95/EC

THIRD ANGLE PROJECTION		UNLESS OTHERWISE SPECIFIED DIMENSIONS ARE IN INCHES TOLERANCES ARE: FRACTIONS    DECIMALS ± 1/32        .XX ± .02 .XXX ± .005 DO NOT SCALE DRAWING	CONTRACT NO.		<b>Cal Test Electronics</b> 22820 Savi Ranch Parkway Yorba Linda, CA 92887-4610			
			APPROVALS	DATE	TITLE			
NEXT ASSY		MATERIAL	DRAWN	43F45	4mm SAFETY JACK, PANEL w/M3 THREADED HOLE			
USED ON		FINISH	CHECKED	7/12/99	SIZE	CAGE CODE	DWG. NO.	REV.
APPLICATION			ENGR.		A	43F45	P290800	B
			DESIGN ACTIVITY		SCALE	1:1	SHEET	1 OF 1