

THIS IS ISSUED IN STRICT CONFIDENCE THAT IT IS NOT USED AS A BASIS FOR MANUFACTURE OR SALE AND THAT IT IS NOT COPIED, REPRINTED OR DISCLOSED TO A THIRD PARTY EITHER WHOLLY OR IN PART WITHOUT THE PRIOR WRITTEN CONSENT OF CAL TEST ELECTRONICS, INC.

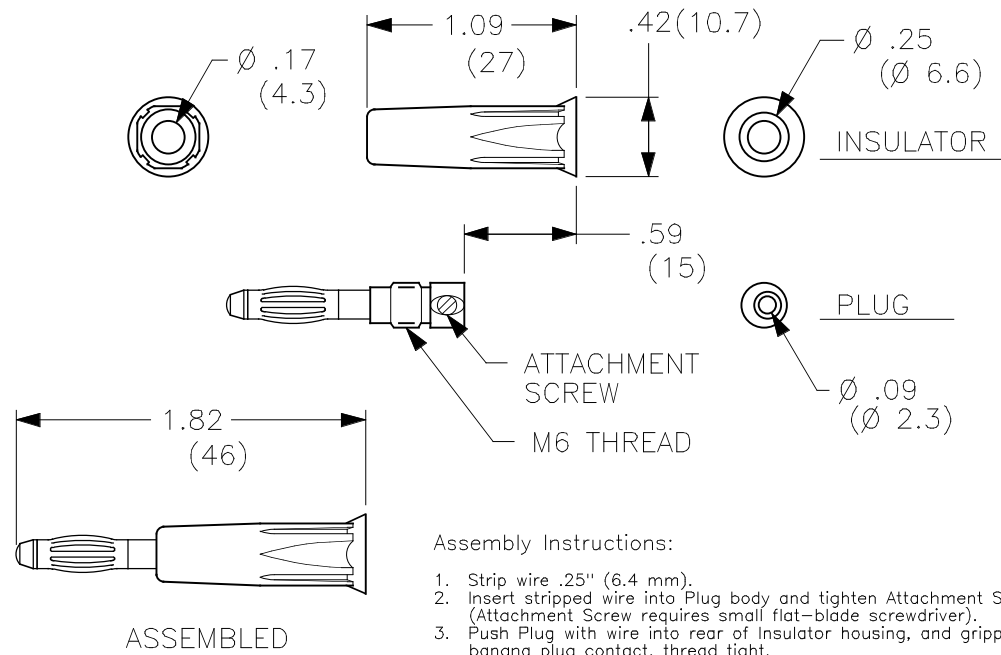
REVISIONS			
REV.	DESCRIPTIONS	DATE	APPROVED
—	CLASS A RELEASED	7/11/99	

- DO-IT-YOURSELF (DIY) 4 mm IN-LINE PLUG, SCREW ATTACHMENT.
- SPECIFICATIONS:
INSULATOR BODY: POLYAMIDE (NYLON)
PLUG BODY: BRASS, NICKEL PLATED
SPRING CONTACT: BeCu, NICKEL PLATED
- RATING:
VOLTAGE: 1,200 V AC/DC
CURRENT: 36 A MAX.
TEMPERATURE: -20° C TO +80°C.
- MAXIMUM WIRE SIZES:
CONDUCTOR: \varnothing .090 (12 AWG)
STRIP LENGTH: .25 (6.4)

PART NUMBER

CT2011-#

- COLOR:
- 0 - BLACK
 - 2 - RED
 - 4 - YELLOW
 - 5 - GREEN
 - 6 - BLUE
 - 9 - WHITE



Assembly Instructions:

- Strip wire .25" (6.4 mm).
- Insert stripped wire into Plug body and tighten Attachment Screw. (Attachment Screw requires small flat-blade screwdriver).
- Push Plug with wire into rear of Insulator housing, and gripping banana plug contact, thread tight.

THIRD ANGLE PROJECTION		UNLESS OTHERWISE SPECIFIED DIMENSIONS ARE IN INCHES TOLERANCES ARE: FRACTIONS DECIMALS $\pm 1/32$.XX $\pm .02$.XXX $\pm .005$ DO NOT SCALE DRAWING	CONTRACT NO.		Cal Test Electronics 22820 Savi Ranch Parkway Yorba Linda, CA 92887-4610	
			APPROVALS	DATE		
MATERIAL		DRAWN	WDH	7/11/99	DIY 4 mm PLUG, SCREW	
FINISH		CHECKED				
NEXT ASSY		ENGR.			SIZE	CAGE CODE
USED ON		DESIGN ACTIVITY			A	43F45
APPLICATION					DWG. NO.	P201100
					SCALE	1:1
					SHEET	1 OF 1
					REV.	—