

CS-41001E Series 4-way Adjustable Direction Switch



Features/Benefits

- Designed for mirror control
- Wire harness and connector easy to customize
- 4-way adjustable directions

Typical Applications

- Automotive
- Industrial

Specifications

CONTACT RATING: 0.2 A @ 12 VDC
 OPERATING LIFE: 10,000 cycles
 INSULATION RESISTANCE: 10 M Ω min. @ 500 VDC
 DIELECTRIC STRENGTH: 500 V AC
 OPERATING TEMPERATURE: -40°C to +90°C
 OPERATING FORCE: L- OFF, R-OFF; 200 \pm 100 gf
 OFF-L, OFF-R; 400 \pm 200 gf
 4 Direction; 500 \pm 200 gf

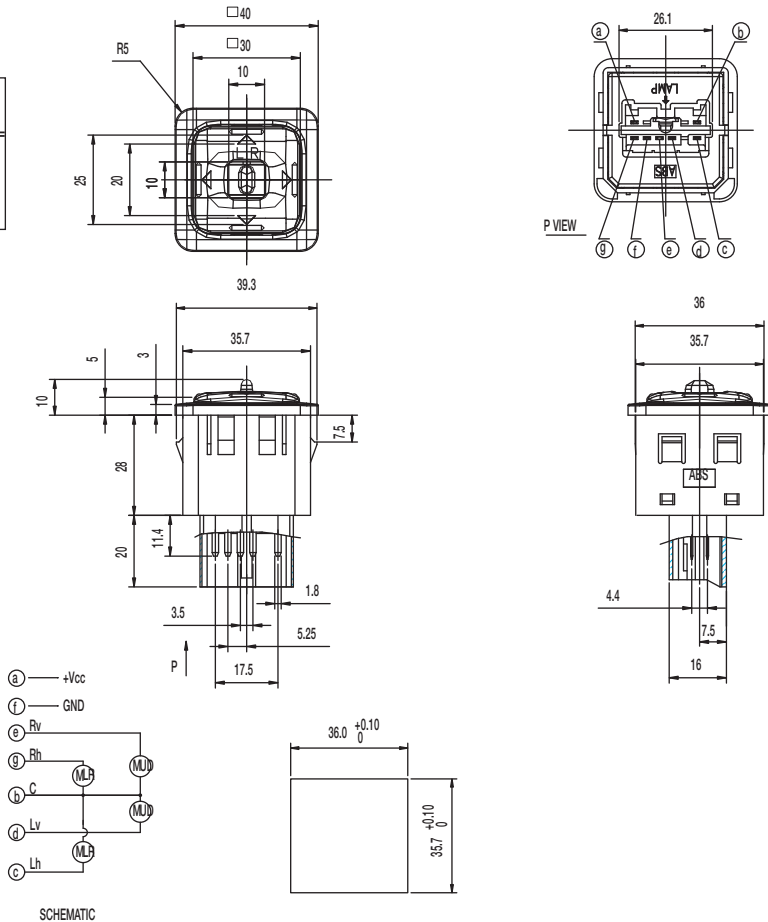
Materials

KNOB: ABS
 COVER: ABS
 TERMINAL: Brass, tin plated

NOTE: Specifications and materials listed above are for switches with standard options. For information on specific and custom switches, consult Customer Service Center.

Navigation

PART NUMBER	PACKAGING
CS-41001-E	256 pieces



Dimensions are shown: mm
 Specifications and dimensions subject to change