

KT Series

Full SMT Top & Side Actuated Sealed Tact Switch



Features/Benefits

- Full SMT side-actuated tact switch
- SMT top-actuated tact switch with G or J terminations
- High shear force with extended bracket
- Easy to pick & place with top plate tab
- Rubber or hard plastic actuator
- Press fit or snap fit caps
- RoHS compliant and compatible

Typical Applications

- Telecommunications
- Computer products
- Instrumentation
- Power supply

Specification

CONTACT ARRANGEMENT: SPST, N.O.
TERMINALS: SMT termination

Electrical

CONTACT RATING: 1.0 VA max. @ 32 V AC or DC max.
ELECTRICAL & MECHANICAL LIFE: 100,000 make-and-break cycles at full load.
DIELECTRIC STRENGTH: 250 Vrms min. @ sea level.
CONTACT RESISTANCE: Below 50 mΩ typ. initial @ 2-4 V DC, 100 mA.
INSULATION RESISTANCE: 10⁹ Ω min.

Environmental

OPERATING TEMPERATURES: Ag version: -40°C to 90°C
Au version: -40°C to 125°C

Process

SOLDERABILITY: Per MIL-STD-202F method 208D, or EIA RS-186E method 9 (1 hour steam aging).
DEGREE OF PROTECTION: IP57; protection against harmful dust deposits, full-scale voltage protection.

Packaging

Switches supplied in anti-static tape and reels per EIA 481-2. Tape and cover strip are conductive for use near statically sensitive components.

NOTE: Specifications listed above are for switches with standard options. For information on specific and custom switches, consult Customer Service Center.

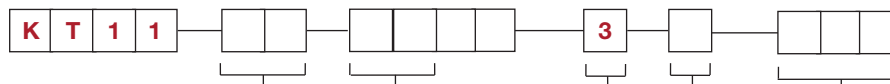
How To Order

Our easy build-a-switch concept allows you to mix and match options to create the switch you need. To order, select desired option from each category and place it in the appropriate box.

However, please note that all the combinations of these options are not feasible.

For any part number different from those listed above, please consult your local representative.

SWITCH



Actuator

- B0*** Soft, flush
- B1*** Soft, 0,64 mm
- B2*** Soft, 2,24 mm
- P2**** Hard, 2,36 mm
- P3**** Hard, 1,12 mm
- P4**** Hard, 3,96 mm
- S1***** ø0,1" for Press Fit Caps
- S2***** ø0,14" for Snap Fit Caps (with anti-rotation)

Orientation and Mounting Style

- SM** Top Gullwing
- JM** Top J Bend ****
- SAM** Right angle
- SA1M** Right angle with front solder pad
- SA2M** Right angle with front solder pad and pick & place tab
- SA3M** Right angle with pick & place tab

Contact Plating

- 4** Silver
- 5** Gold

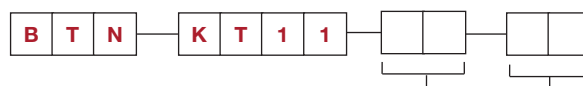
Contact Plating

- LFS** RoHS compliant and compatible. Silver plated
- LFG** RoHS compliant and compatible. Gold plated

* B0, B1 & B2 available with A, A1 & A3 mounting bracket only.
** P2, P3, P4 actuators suitable with A1 & A2 mounting bracket only.
*** S1 & S2 available with A1 & A2 mounting bracket only.
**** JM available with B0, B1, B2, P2, P3, P4 without mounting bracket.

BUTTON

To order buttons in bulk



Button Style

- 02** Press fit
- 03** Snap fit, high temperature

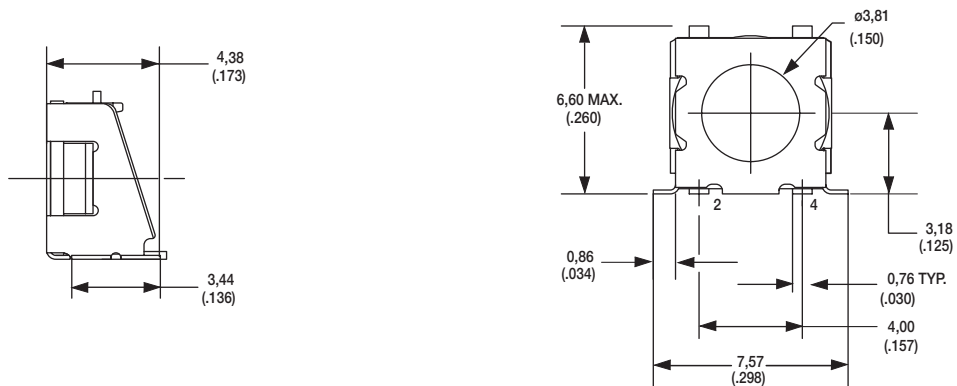
Button Color

- 90** Black
- 80** Ivory (natural)
- 40** Red

KT Series Full SMT Top & Side Actuated Sealed Tact Switch

SERIES

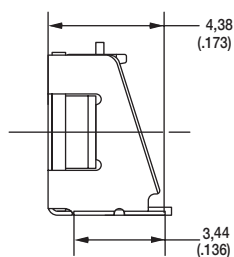
KT11



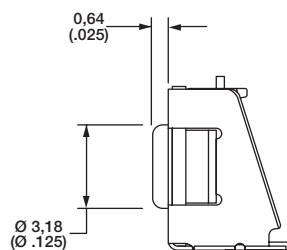
Tactile Switches

ACTUATOR

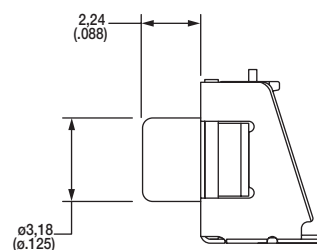
B0 SOFT, FLUSH*



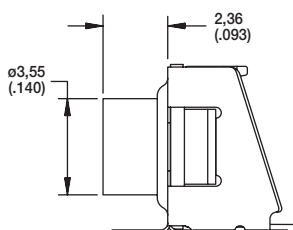
B1 SOFT, 0,64 mm*



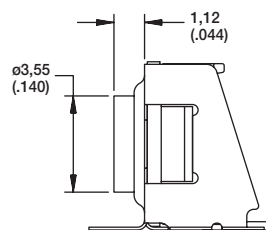
B2 SOFT, 2,24 mm*



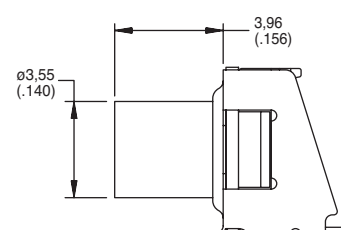
P2 HARD, 2,36 mm



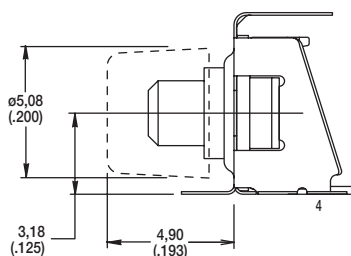
P3 HARD, 1,12 mm



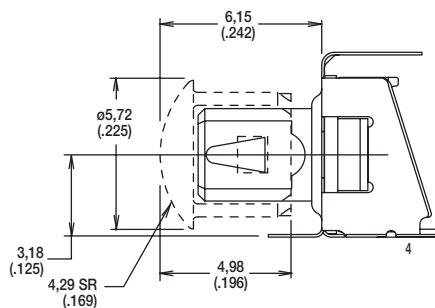
P4 HARD, 3,96 mm**



S1 $\phi 0,1$ " FOR PRESS FIT CAPS***



S2 $\phi 0,14$ " FOR SNAP FIT CAPS***

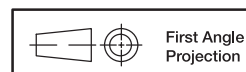


* B0, B1 & B2 available with A, A1 & A3 mounting bracket only.

** P2, P3, P4 actuators suitable with A1 & A2 mounting bracket only.

*** S1 & S2 available with A1 & A2 mounting bracket only.

**** JM available with B0, B1, B2, P2, P3, P4 without mounting bracket.

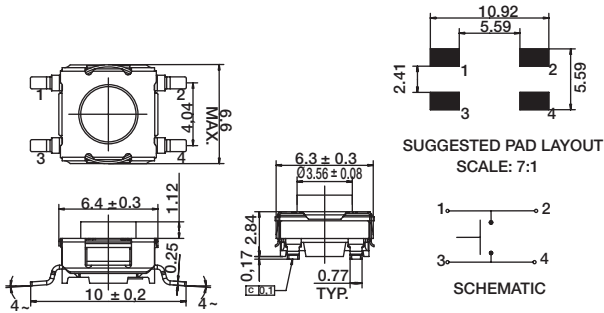


Dimensions are shown: mm
Specifications and dimensions subject to change

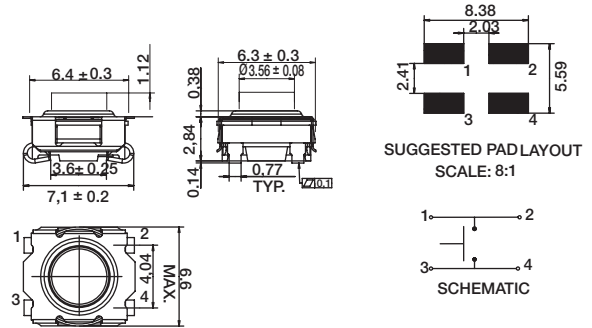
KT Series Full SMT Top & Side Actuated Sealed Tact Switch

ORIENTATION & MOUNTING STYLE

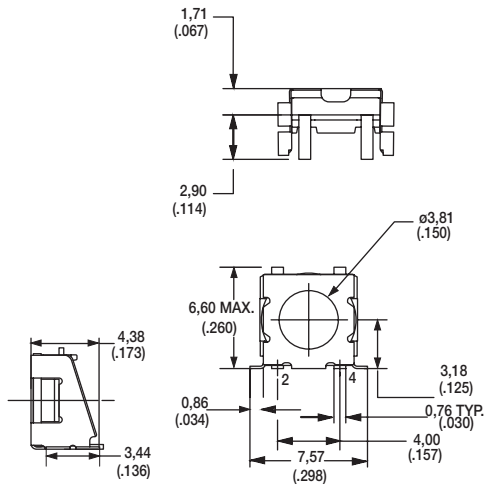
SM TOP GULLWING



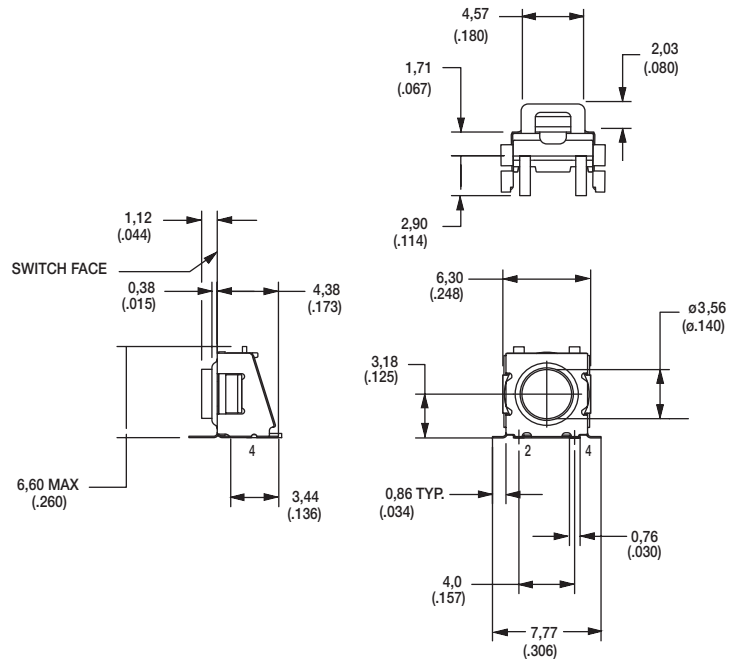
JM TOP J BEND



SAM RIGHT ANGLE



SA1M RIGHT ANGLE WITH FRONT SOLDER PAD



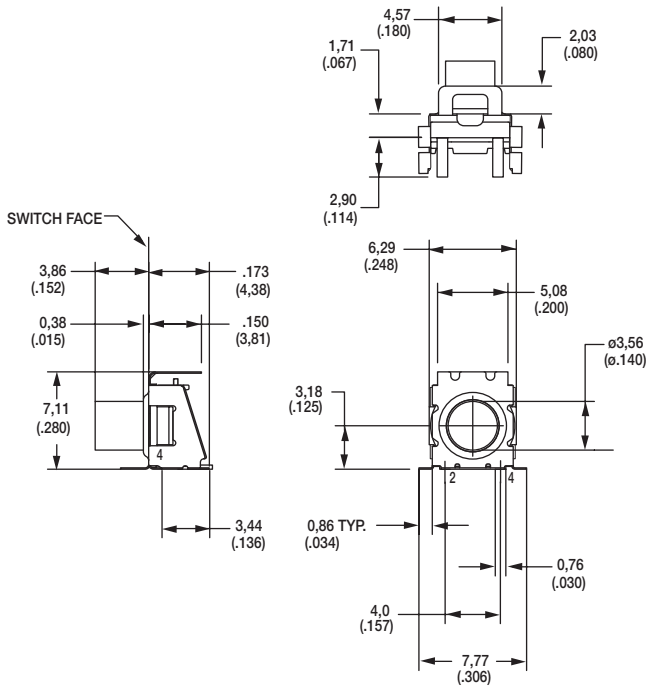
Dimensions are shown: mm
Specifications and dimensions subject to change

KT Series

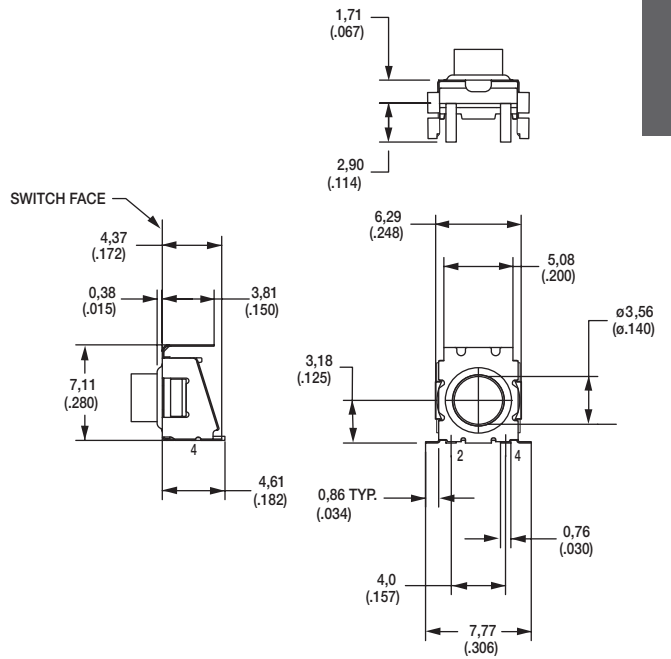
Full SMT Top & Side Actuated Sealed Tact Switch

Tactile Switches

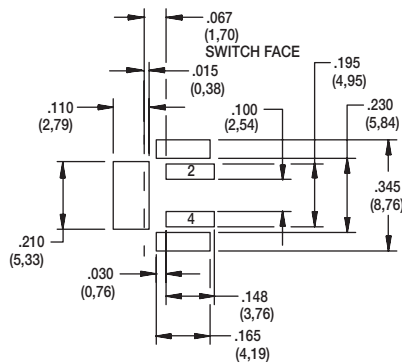
SA2M RIGHT ANGLE WITH FRONT SOLDER PAD AND PICK & PLACE TAB



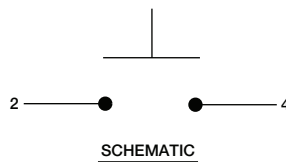
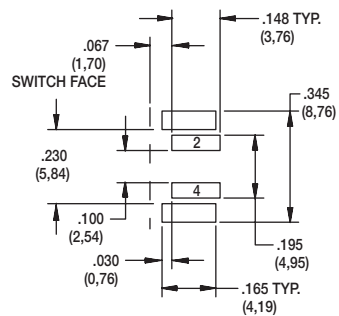
SA3M RIGHT ANGLE WITH PICK & PLACE TAB



PAD LAYOUT
SA1M & SA2M MOUNTING BRACKET



PAD LAYOUT
SAM & SA3M MOUNTING BRACKET



SCHEMATIC



Dimensions are shown: mm
Specifications and dimensions subject to change

KT Series Full SMT Top & Side Actuated Sealed Tact Switch

BUTTON

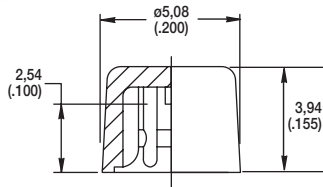
BUTTON

To order buttons in bulk

02 PRESS FIT

PART NUMBER	Internal Part Number	Button Color
BTN KT11 02 80	5081 01000	Ivory (Natural)
BTN KT11 02 90	5081 02000	Black
BTN KT11 02 40	5081 03000	Red

Materials: Nylon
Finish: Gloss



03 SNAP FIT, HIGH TEMPERATURE

PART NUMBER	Internal Part Number	Button Color
BTN KT11 03 80	685B 01000	Ivory (Natural)
BTN KT11 03 90	685B 02000	Black

Materials: Nylon
Finish: Gloss

