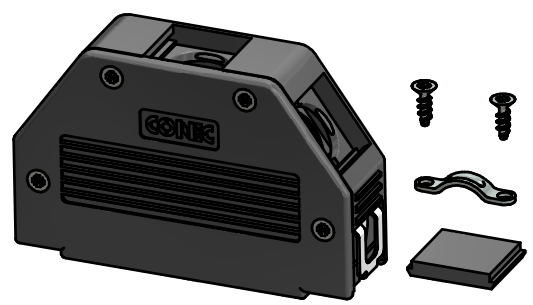
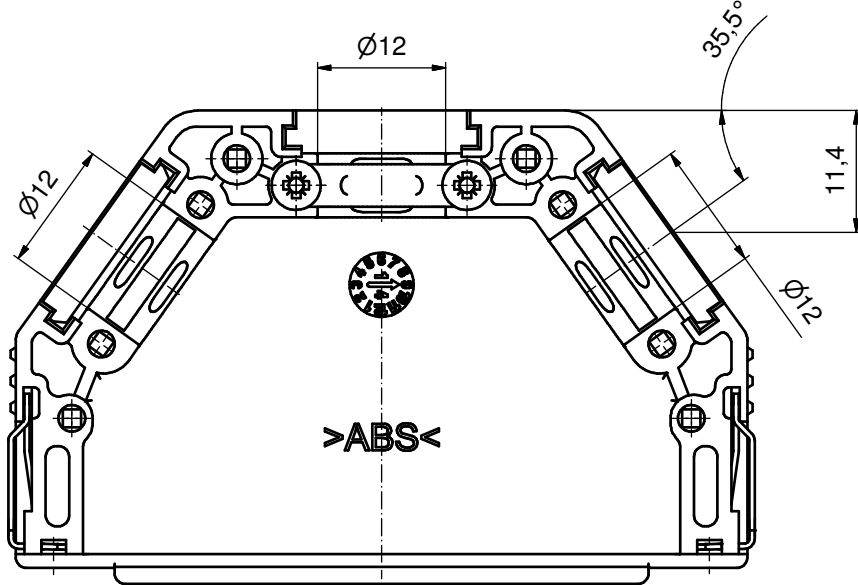
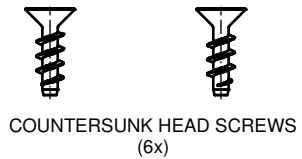


view without cover



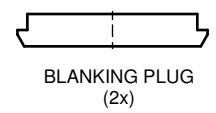
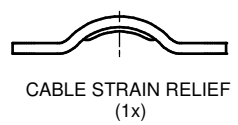
**HOOD ASSEMBLY CONSISTS OF:**

- 1. HOOD + COVER: ABS UL 94 V-0; BLACK
- 2. BLANKING PLUGS: ABS UL 94 V-0; BLACK
- 3. CABLE STRAIN RELIEF: STEEL; NICKEL PLATED
- 4. CLIP: STAINLESS STEEL
- 5. COUNTERSUNK HEAD SCREWS: STEEL; NICKEL PLATED



c	Part-No.	Part-No.
	Bulk package	Single package
	16-001850	16-001850E

RoHS compliant



THIS DRAWING MAY NOT BE COPIED OR REPRODUCED IN ANY WAY, AND MAY NOT BE PASSED ON TO A THIRD PARTY WITHOUT WRITTEN PERMISSION. OWNERSHIP AND COPYRIGHT OF CONEC GmbH DO NOT ALTER CAD DRAWING BY HAND	finish: see table		tolerance		dim. in mm	scale: 2:1 (1:1)			
						material: see drawing			
				date	name		title: <b>Plastic Hood 50pos</b> with Snap Lock / top and two sides cable exit		
				drawn	12.11.12	Strakerjahn			
				appd.	06.05.14	Koch			
					norm			title: <b>Plastic Hood 50pos</b> with Snap Lock / top and two sides cable exit	
2 x c	Ä5619	22.04.15	K.H.	d-old	SK0823Y15		dwg no: <b>16K1A3137</b>		
3 x b	Ä5357	25.09.14	K.H.			DIN-A3 sh: 1			
a	Original					part no: c b SEE TABLE			
rev.	description	date	name						