

Contact assignment:

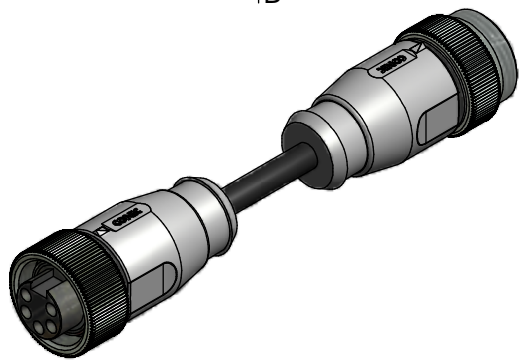
- 1) black
- 2) blue
- PE) green-yellow
- 4) brown
- 5) white

Technical specification:

| | |
|--|--|
| Rated voltage: IEC 60664-1 | 300 V |
| Overvoltage category: IEC 60664-1 | 2 |
| Overvoltage: IEC 60664-1 | 2,7 kV |
| Current rating: IEC 60512-3 at 40°C | 0,75mm ² 1,5mm ² 8 A 10 A |
| Insulation resistance: IEC 60512 | >=100 MΩ |
| Pollution degree: IEC 60664-1 | 3/2 |
| Degree of protection: IEC 60529 | IP 68, in mated condition |
| Temperature range: IEC 60664-1 | -30°C ... +80°C |
| Mating cycles: IEC 60512-9a | >=100 |
| Termination: | crimped |

Materials:

| | |
|-------------------------|---------------------|
| Contact: | CuZn |
| Contact plating: | Nickel, gold plated |
| Contact carrier: | TPU, UL 94 |
| Coupling nut/ screw: | CuZn, nickel plated |
| Moulding body: | TPU, UL 94, grey |



| Part no: | Description: | Length L: | Cable: |
|----------|--|-----------|---|
| 41-01229 | SAL - 7/8 - RK4PE - RS4PE - 0,6 / K1 | 0,6m | TPU, UL 20549, black, 5x0,75mm ² Cable: 781-K17500 |
| 41-01230 | SAL - 7/8 - RK4PE - RS4PE - 1 / K1 | 1m | |
| 41-01231 | SAL - 7/8 - RK4PE - RS4PE - 1,5 / K1 | 1,5m | |
| 41-01232 | SAL - 7/8 - RK4PE - RS4PE - 2 / K1 | 2m | |
| 41-xxxxx | SAL - 7/8 - RK4PE - RS4PE - ... / K1 | x | |
| 41-01277 | SAL - 7/8 - RK4PE - RS4PE - 0,6 / K1 / 150 | 0,6m | TPU, UL 20549, black, 5x1,50mm ² Cable: 781-K18500 |
| 41-01278 | SAL - 7/8 - RK4PE - RS4PE - 1 / K1 / 150 | 1m | |
| 41-01279 | SAL - 7/8 - RK4PE - RS4PE - 1,5 / K1 / 150 | 1,5m | |
| 41-01280 | SAL - 7/8 - RK4PE - RS4PE - 2 / K1 / 150 | 2m | |
| 41-xxxxx | SAL - 7/8 - RK4PE - RS4PE - ... / K1 / 150 | x | |

D see data sheet cable

| | | | | | | | | | | | | |
|---|--|--|--|--|------|------|-------|----------|-------|-------|----------|---------|
| DO NOT ALTER CAD DRAWING BY HAND Directive 2002/95/EC RoHS compliant | Index: b 06.09.10 KH Ä3736 technical specification changed, part no. cable in table added, neutral line added | dim. in mm | title: Connecting cable 7/8", female connector axial - male connector axial | | | | | | | | | |
| | tolerance of cable: L ≤ 4m: L + 40mm L > 4m: L + 1% | <table border="1" style="width: 100%; border-collapse: collapse;"> <tr> <td style="width: 30%;"></td> <td style="width: 30%;">date</td> <td style="width: 40%;">name</td> </tr> <tr> <td>drawn</td> <td>12.02.08</td> <td>Franz</td> </tr> <tr> <td>appd.</td> <td>12.02.08</td> <td>Mankopf</td> </tr> </table> | | | date | name | drawn | 12.02.08 | Franz | appd. | 12.02.08 | Mankopf |
| | | date | name | | | | | | | | | |
| | drawn | 12.02.08 | Franz | | | | | | | | | |
| appd. | 12.02.08 | Mankopf | | | | | | | | | | |
| THIS DRAWING MAY NOT BE COPIED OR REPRODUCED IN ANY WAY, AND MAY NOT BE PASSED ON TO A THIRD PARTY WITHOUT WRITTEN PERMISSION. OWNERSHIP AND COPYRIGHT OF CONEC GmbH | | part no: | 41K1A364 | | | | | | | | | |
| | | | part no: | | | | | | | | | |