

Contact assignment:

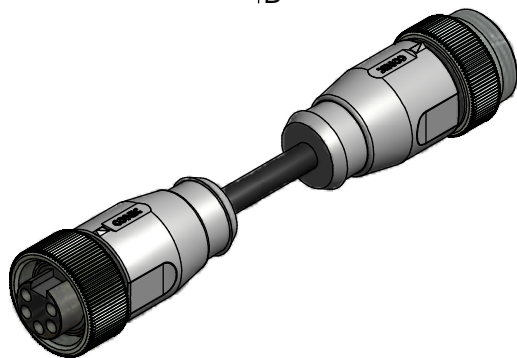
- 1) black
- 2) blue
- PE) green-yellow
- 4) brown
- 5) white

Technical specification:

Rated voltage: IEC 60664-1	300 V
Overvoltage category: IEC 60664-1	2
Overvoltage: IEC 60664-1	2,7 kV
Current rating: IEC 60512-3 at 40°C	0,75mm ² 1,5mm ² 8 A 10 A
Insulation resistance: IEC 60512	>=100 MΩ
Pollution degree: IEC 60664-1	3/2
Degree of protection: IEC 60529	IP 68, in mated condition
Temperature range: IEC 60664-1	-30°C ... +80°C
Mating cycles: IEC 60512-9a	>=100
Termination:	crimped

Materials:

Contact:	CuZn
Contact plating:	Nickel, gold plated
Contact carrier:	TPU, UL 94
Coupling nut/ screw:	CuZn, nickel plated
Moulding body:	TPU, UL 94, grey



Part no:	Description:	Length L:	Cable:
41-01229	SAL - 7/8 - RK4PE - RS4PE - 0,6 / K1	0,6m	TPU, UL 20549, black, 5x0,75mm ² Cable: 781-K17500
41-01230	SAL - 7/8 - RK4PE - RS4PE - 1 / K1	1m	
41-01231	SAL - 7/8 - RK4PE - RS4PE - 1,5 / K1	1,5m	
41-01232	SAL - 7/8 - RK4PE - RS4PE - 2 / K1	2m	
41-xxxxx	SAL - 7/8 - RK4PE - RS4PE - ... / K1	x	
41-01277	SAL - 7/8 - RK4PE - RS4PE - 0,6 / K1 / 150	0,6m	TPU, UL 20549, black, 5x1,50mm ² Cable: 781-K18500
41-01278	SAL - 7/8 - RK4PE - RS4PE - 1 / K1 / 150	1m	
41-01279	SAL - 7/8 - RK4PE - RS4PE - 1,5 / K1 / 150	1,5m	
41-01280	SAL - 7/8 - RK4PE - RS4PE - 2 / K1 / 150	2m	
41-xxxxx	SAL - 7/8 - RK4PE - RS4PE - ... / K1 / 150	x	

D see data sheet cable

DO NOT ALTER CAD DRAWING BY HAND Directive 2002/95/EC RoHS compliant	Index: b 06.09.10 KH Ä3736 technical specification changed, part no. cable in table added, neutral line added	dim. in mm	title: Connecting cable 7/8", female connector axial - male connector axial									
	tolerance of cable: L ≤ 4m: L + 40mm L > 4m: L + 1%			<table border="1"> <tr> <td></td> <td>date</td> <td>name</td> </tr> <tr> <td>drawn</td> <td>12.02.08</td> <td>Franz</td> </tr> <tr> <td>appd.</td> <td>12.02.08</td> <td>Mankopf</td> </tr> </table>		date	name	drawn	12.02.08	Franz	appd.	12.02.08
		date		name								
	drawn	12.02.08		Franz								
appd.	12.02.08	Mankopf										
THIS DRAWING MAY NOT BE COPIED OR REPRODUCED IN ANY WAY, AND MAY NOT BE PASSED ON TO A THIRD PARTY WITHOUT WRITTEN PERMISSION. OWNERSHIP AND COPYRIGHT OF CONEC GmbH		dwg no:										
		part no:										

41K1A364