

Technical specification :

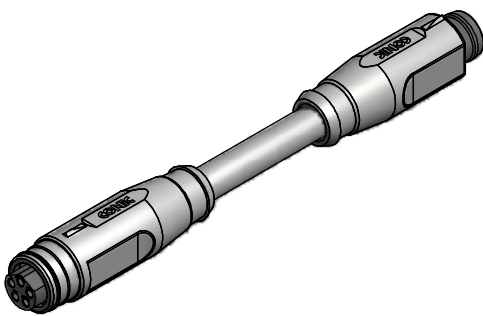
Rated voltage: IEC 61076-2-104	30 V
Current rating: IEC 61076-2-104	3 A at 40°C
Insulation resistance: IEC 60512	≥100 MΩ
Pollution degree: IEC 60664-1	3/2
Degree of protection: IEC 60529	IP 67, in mated condition
Temperature range: IEC 60664-1	-30°C ... +80°C
Mating cycles: IEC 60512-9a	≥100

Materials:

Contact:	CuZn
Contact plating:	Nickel, gold plated
Contact carrier:	TPU GF, UL 94
Moulding body:	TPU, UL 94, grey

Contact assignment:

- 1) brown
- 2) white
- 3) blue
- 4) black
- 5) grey



Part no:	Description:	Length L:	Cable:
42-11136	SAL - 8B - RKS5.1 - RSS5.1 - 0,3 / A1	0,3m	PVC, grey, 5x0,25mm ² Cable: 781-A1250G
42-11137	SAL - 8B - RKS5.1 - RSS5.1 - 0,6 / A1	0,6m	
42-11138	SAL - 8B - RKS5.1 - RSS5.1 - 1,5 / A1	1,5m	
42-11139	SAL - 8B - RKS5.1 - RSS5.1 - 3 / A1	3m	
42-xxxxx	SAL - 8B - RKS5.1 - RSS5.1 - ... / A1	x	

D see data sheet cable

DO NOT ALTER CAD DRAWING BY HAND Directive 2002/95/EC RoHS compliant	Index:a 23.08.11 BCB Ä3941 data modified	dim. in mm	title: Connecting cable ø8, female connector axial - male connector axial, snap, B-coding dwg no: 42K1A250 part no: see table						
	tolerance of cable: L ≤ 4m: L + 40mm L > 4m: L + 1%			<table border="1"> <tr> <td>date</td> <td>name</td> </tr> <tr> <td>drawn 03.09.10</td> <td>Fromm</td> </tr> <tr> <td>appd. 03.09.10</td> <td>Mankopf</td> </tr> </table>	date	name	drawn 03.09.10	Fromm	appd. 03.09.10
	date	name							
	drawn 03.09.10	Fromm							
appd. 03.09.10	Mankopf								
THIS DRAWING MAY NOT BE COPIED OR REPRODUCED IN ANY WAY, AND MAY NOT BE PASSED ON TO A THIRD PARTY WITHOUT WRITTEN PERMISSION. OWNERSHIP AND COPYRIGHT OF CONEC GmbH									