

**Technical specification :**

Rated voltage: 30 V  
IEC 61076-2-104

Current rating: 1,5 A at 40°C  
IEC 61076-2-104

Insulation resistance: >=100 MΩ  
IEC 60512

Pollution degree: 3/2  
IEC 60664-1

Degree of protection: IP 67, in mated condition  
IEC 60529

Temperature range: -30°C ... +80°C  
IEC 60664-1

Mating cycles: >=100  
IEC 60512-9a

**Materials:**

Contact: CuZn

Contact plating: Nickel, gold plated

Contact carrier: TPU GF, UL 94

Sealing: FPM

Coupling nut / screw: GD-Zn, nickel plated

Moulding body: TPU, UL 94, grey

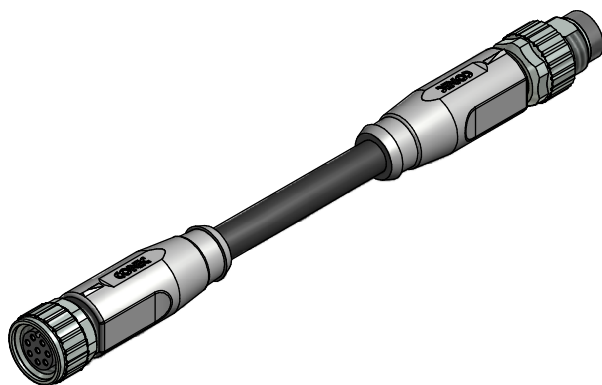
**Installation specification:**

Recommended torque: 0,4 Nm

Conec installation tooling: Torque wrench: 36-000200  
Insert across flats 9: 36-000210

**Contact assignment:**

- 1) white
- 2) brown
- 3) green
- 4) yellow
- 5) grey
- 6) pink
- 7) blue
- 8) red



Part no:	Description:	Length L:	Cable:
42-11183	SAL - 8 - RK8 - RS8 - 0,3 / K1	0,3m	TPU, UL 20549, black, 8x0,14mm <sup>2</sup> Cable: 781-K11800
42-11184	SAL - 8 - RK8 - RS8 - 0,6 / K1	0,6m	
42-11185	SAL - 8 - RK8 - RS8 - 1,5 / K1	1,5m	
42-11186	SAL - 8 - RK8 - RS8 - 3 / K1	3m	
42-xxxxx	SAL - 8 - RK8 - RS8 - ... / K1	x	

D see data sheet cable

DO NOT ALTER CAD DRAWING BY HAND Directive 2002/95/EC RoHS compliant	Index:a 23.08.11 BCB Ä3941 data modified	dim. in mm	title: <b>Connecting cable M8x1, female connector axial - male connector axial</b>		
	tolerance of cable: L ≤ 4m: L + 40mm L > 4m: L + 1%			date	name
	THIS DRAWING MAY NOT BE COPIED OR REPRODUCED IN ANY WAY, AND MAY NOT BE PASSED ON TO A THIRD PARTY WITHOUT WRITTEN PERMISSION. OWNERSHIP AND COPYRIGHT OF CONEC GmbH	drawn		21.09.10	Mankopf
		appd.		21.09.10	Franz
		dwg no: <b>42K1A259</b>			
		part no: <b>see table</b>			